

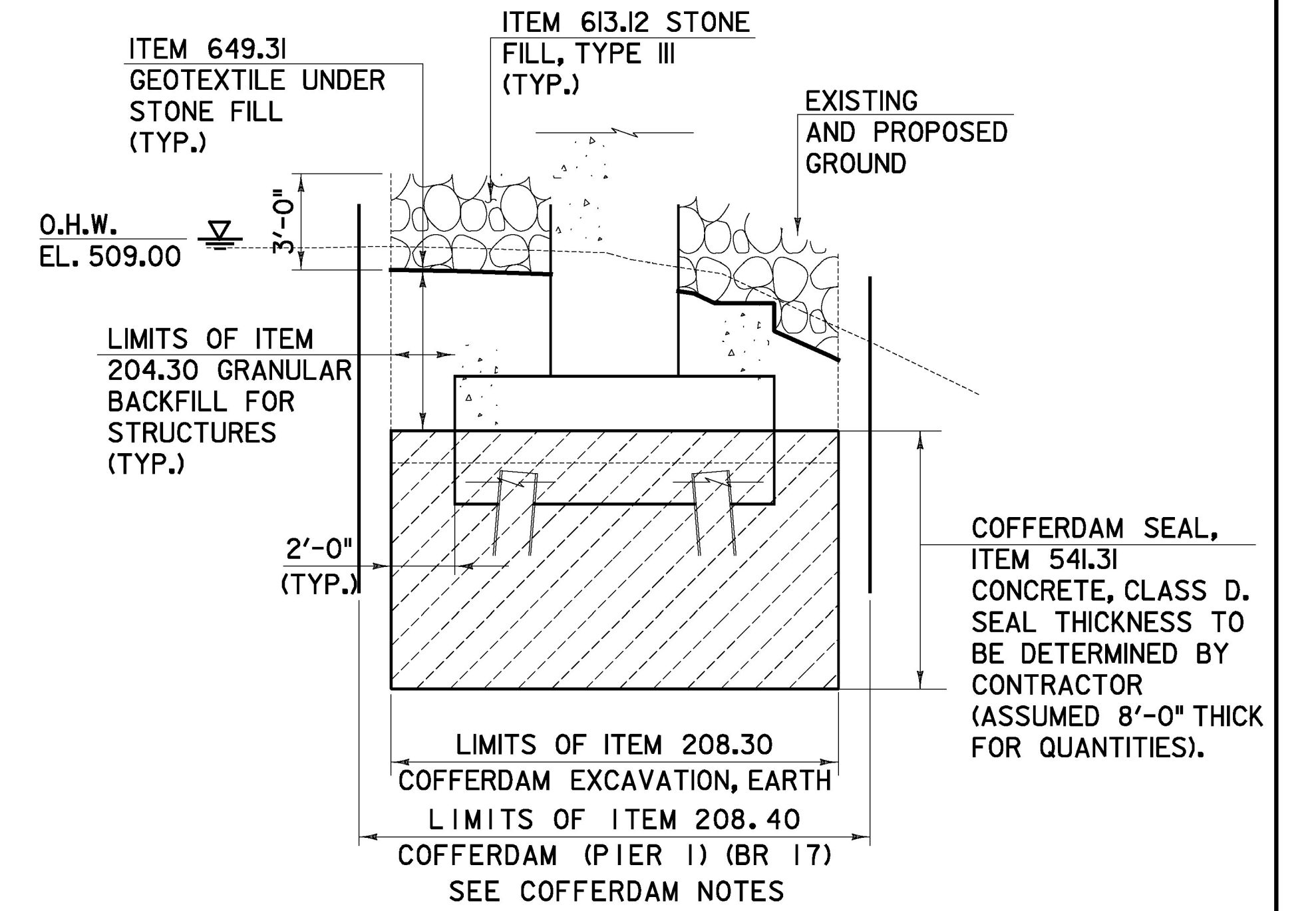
TYPICAL BRIDGE SECTION

SCALE: 1/4" = 1'-0"
 0 2 4 6

COFFERDAM NOTES:

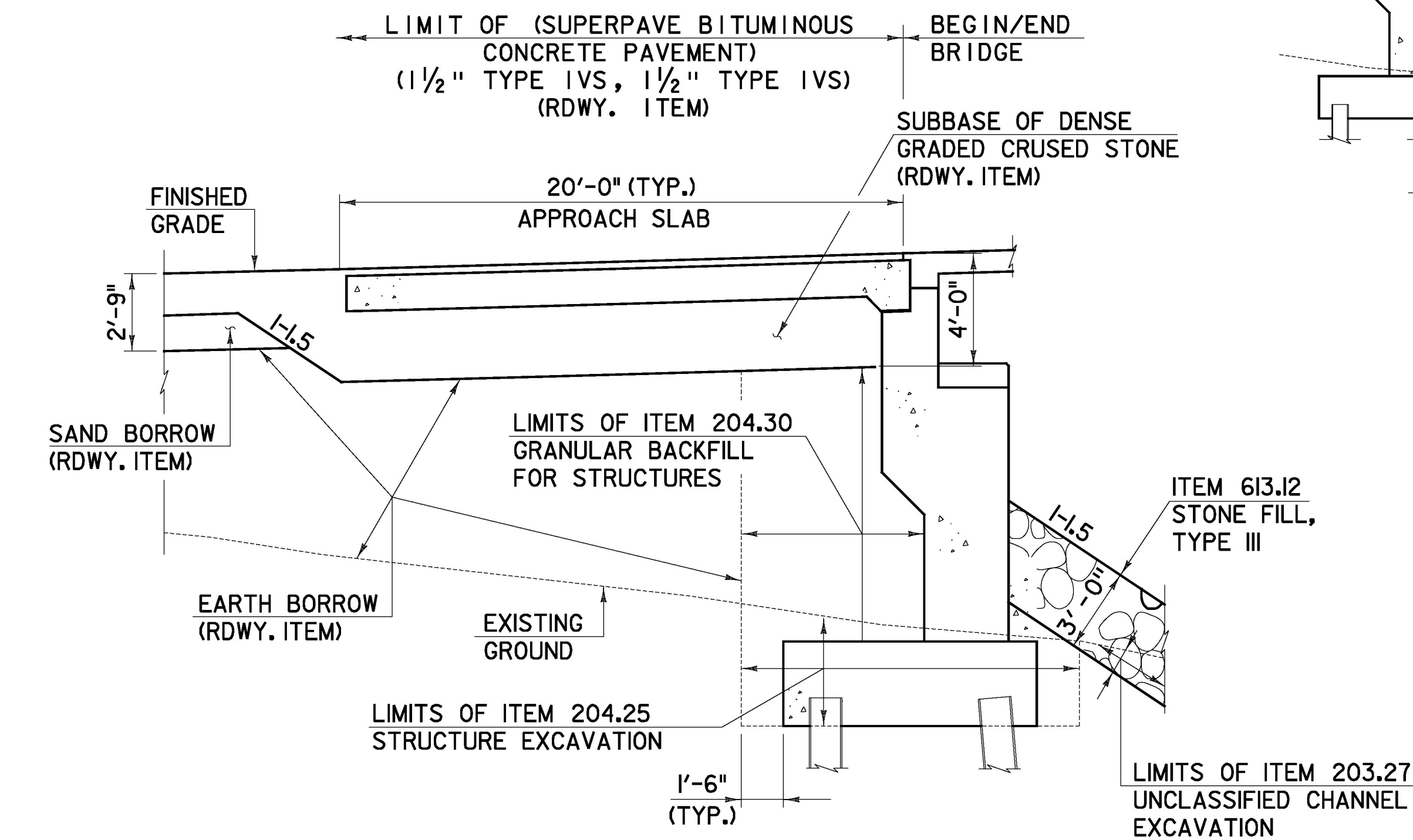
1. COFFERDAM SIZE TO BE DETERMINED BY CONTRACTOR.
2. THE PAY LIMITS OF ITEM 208.30 COFFERDAM EXCAVATION, EARTH SHALL BE 2'-0" OUTSIDE THE PERIMETER OF THE FOOTING, EXTENDING TO THE BOTTOM OF COFFERDAM SEAL.
3. IF A COFFERDAM IS CONSTRUCTED WHICH IS LARGER THAN THE COFFERDAM EXCAVATION PAY LIMITS, PAYMENT FOR ALL UNCLASSIFIED CHANNEL EXCAVATION, INCLUDING THAT PORTION WHICH IS INSIDE THE COFFERDAM BUT OUTSIDE THE COFFERDAM EXCAVATION PAY LIMITS, WILL BE MADE AT THE CONTRACT UNIT PRICE FOR ITEM 203.27 UNCLASSIFIED CHANNEL EXCAVATION.

* GRUBBING MATERIAL SHALL NOT BE PLACED ON THE STONE FILL IN THE AREA UNDER THE BRIDGE. WHENEVER CHANNEL SLOPE INTERSECTS ROADWAY SUBBASE, GRUBBING MATERIAL SHALL BEGIN AT THE BOTTOM OF SUBBASE.



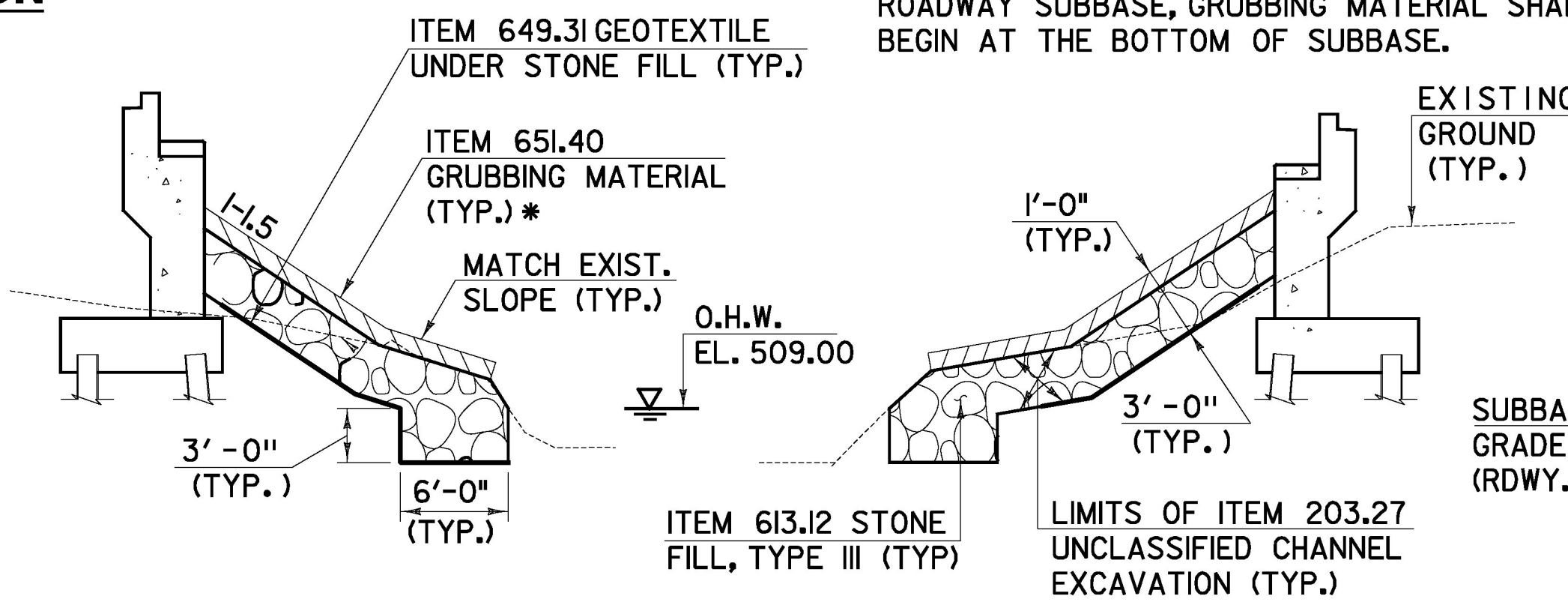
TYPICAL PIER 1 SECTION

SCALE: 1/4" = 1'-0"
 0 2 4 6



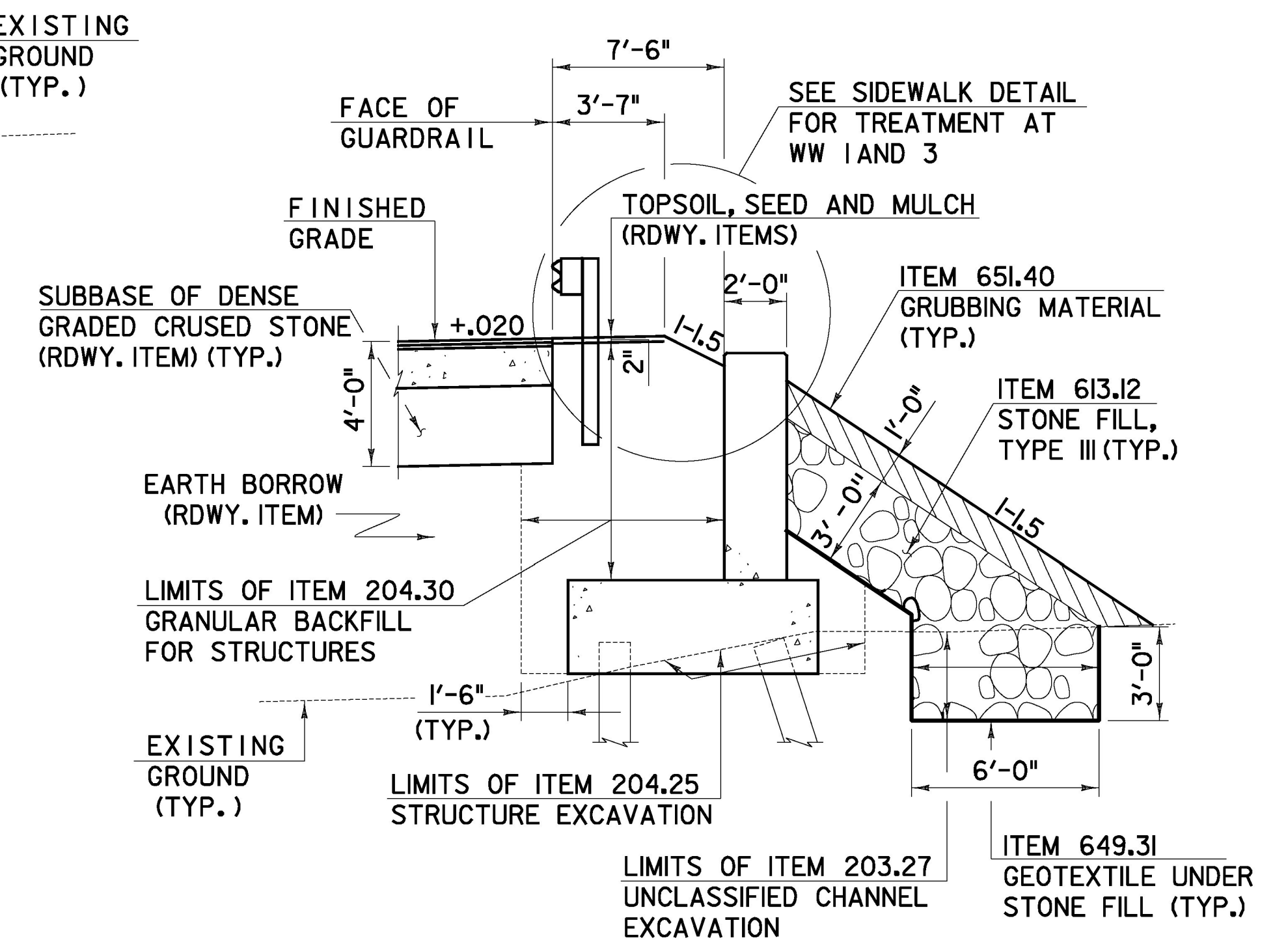
TYPICAL ABUTMENT SECTION

SCALE: 1/4" = 1'-0"
 0 2 4 6



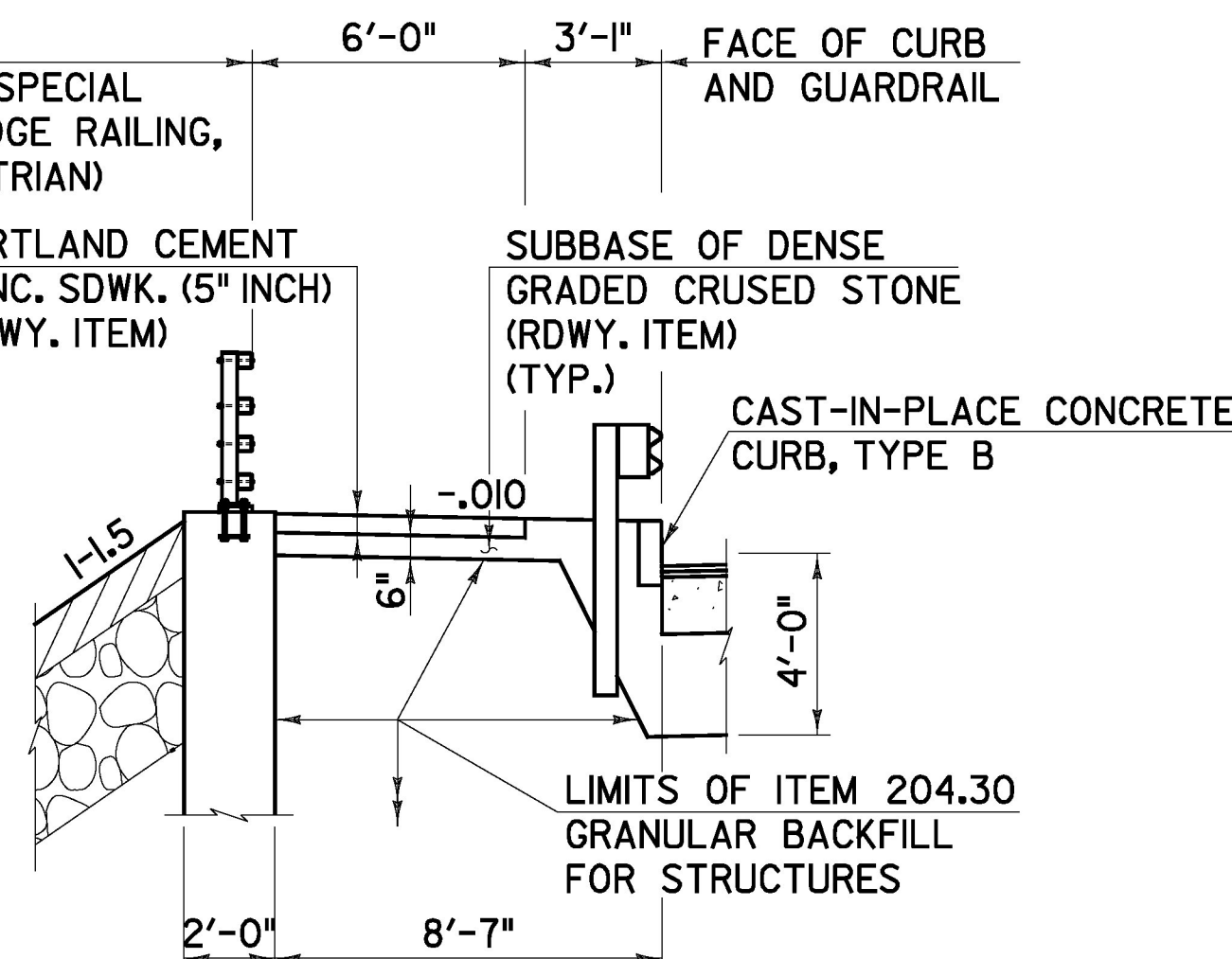
TYPICAL CHANNEL SECTION

SCALE: 1/8" = 1'-0"
 0 2 4 6 8



TYPICAL WINGWALL SECTION

(WW 2 AND 4 SHOWN, WW 1 AND 3 SIMILAR)
 SCALE: 3/16" = 1'-0"
 0 2 4 6 8



SIDEWALK DETAIL

(AT WW 1 AND 3 ONLY)
 SCALE: 3/16" = 1'-0"
 0 2 4 6 8



TYPICAL SECTION SHEET #2	PROJECT NAME: RUTLAND CITY	PLOT DATE: 6/30/2014
	PROJECT NUMBER: BR 3000 (19)	DRAWN BY: D.M.D.
	PROJECT LEADER: M.D.S.	CHECKED BY: P.M.P.
	DESIGNED BY: D.M.D.	SHEET 22 OF 245
	DWG. NO.: TYP-2	

FILE NAME = W:\P\c\sect\ANY\K2\2015\CADD\MSTN\08\096\ecmsul\anta\208\096\sup\section.dgn
 DATE/TIME = 6/30/2014 4:49:16
 USER =