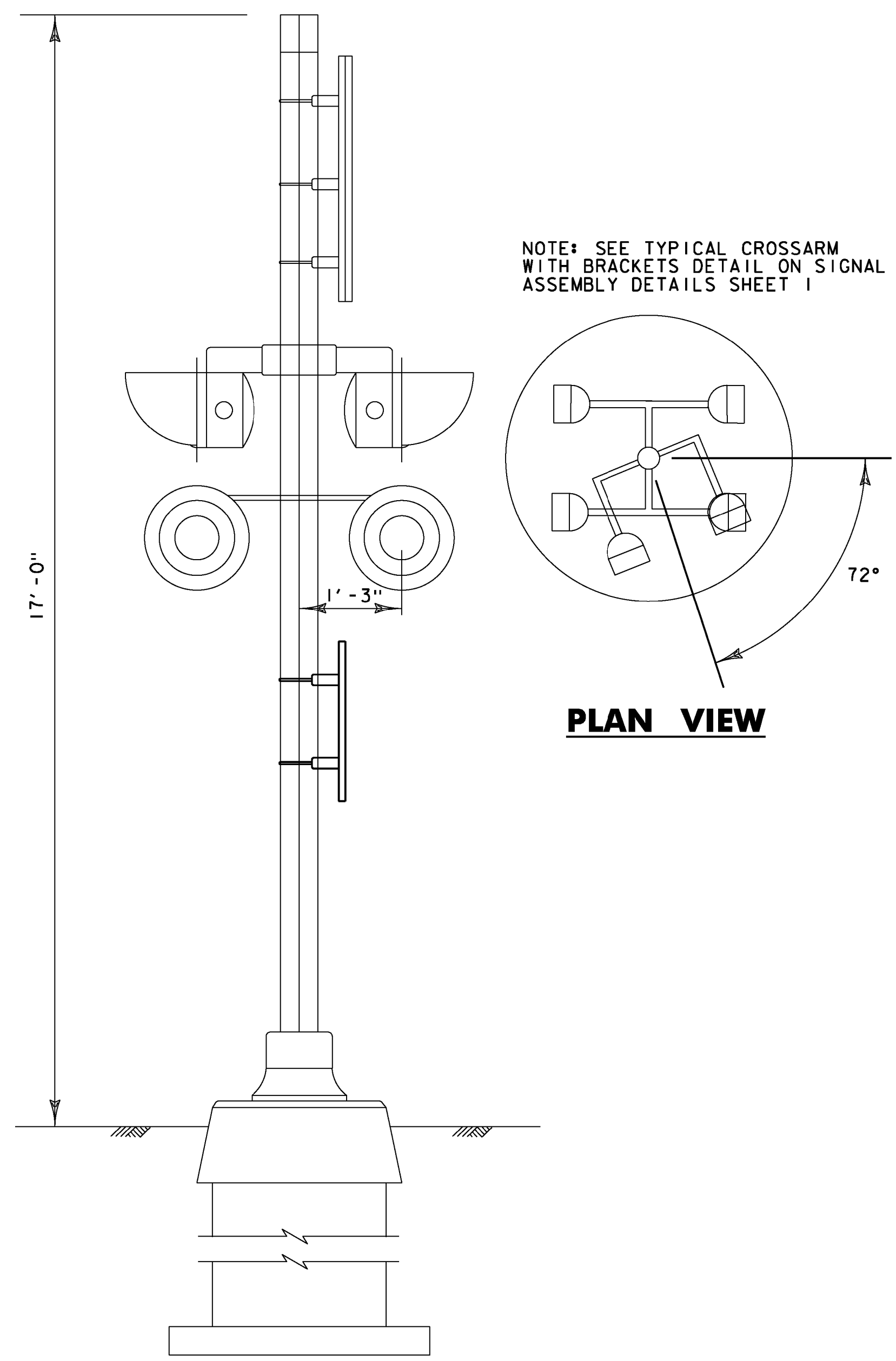


**ROADWAY VIEW LOOKING SOUTH**

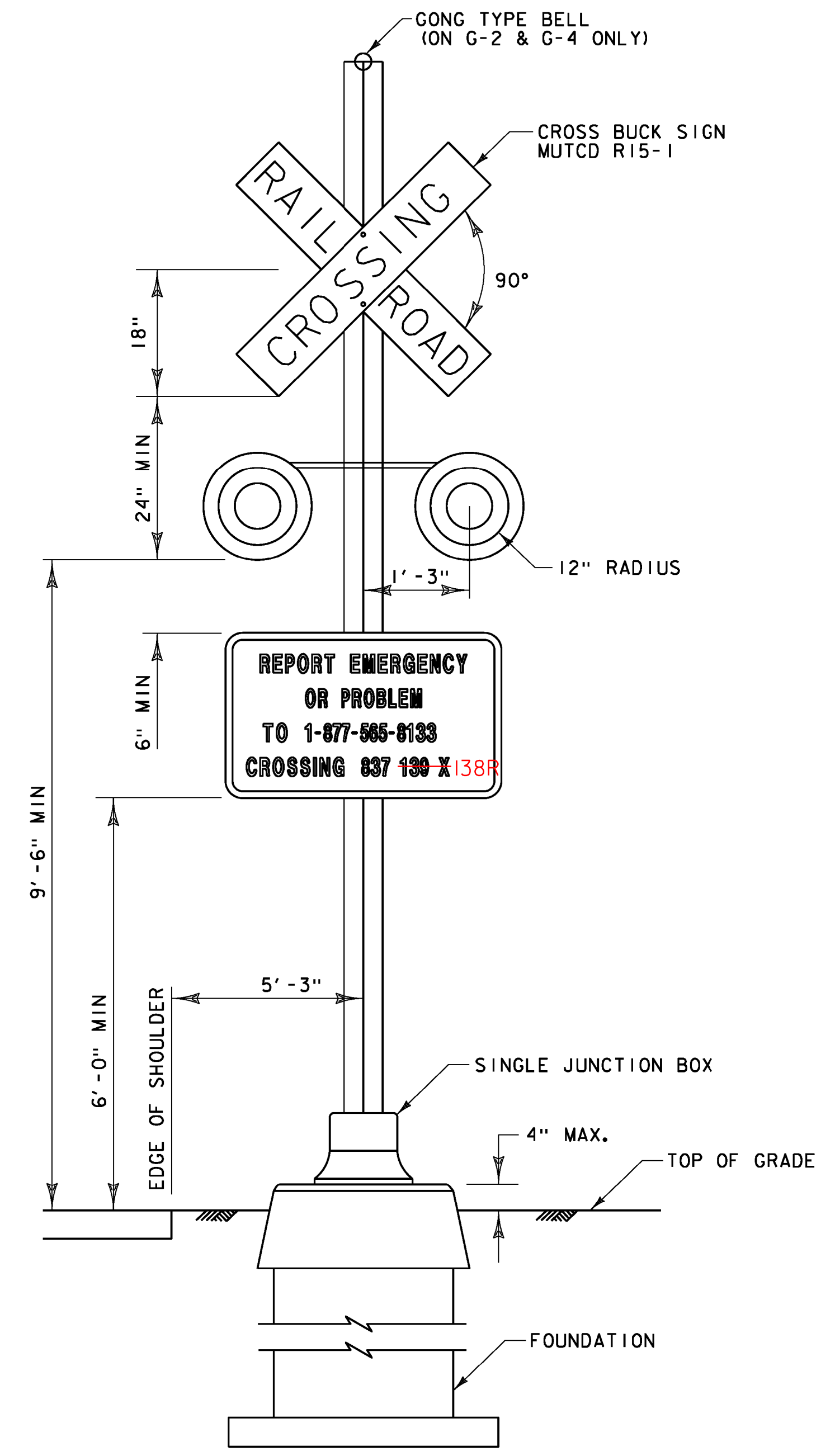
**SIGNAL ASSEMBLY G-2**  
NOT TO SCALE



**SIDE VIEW**

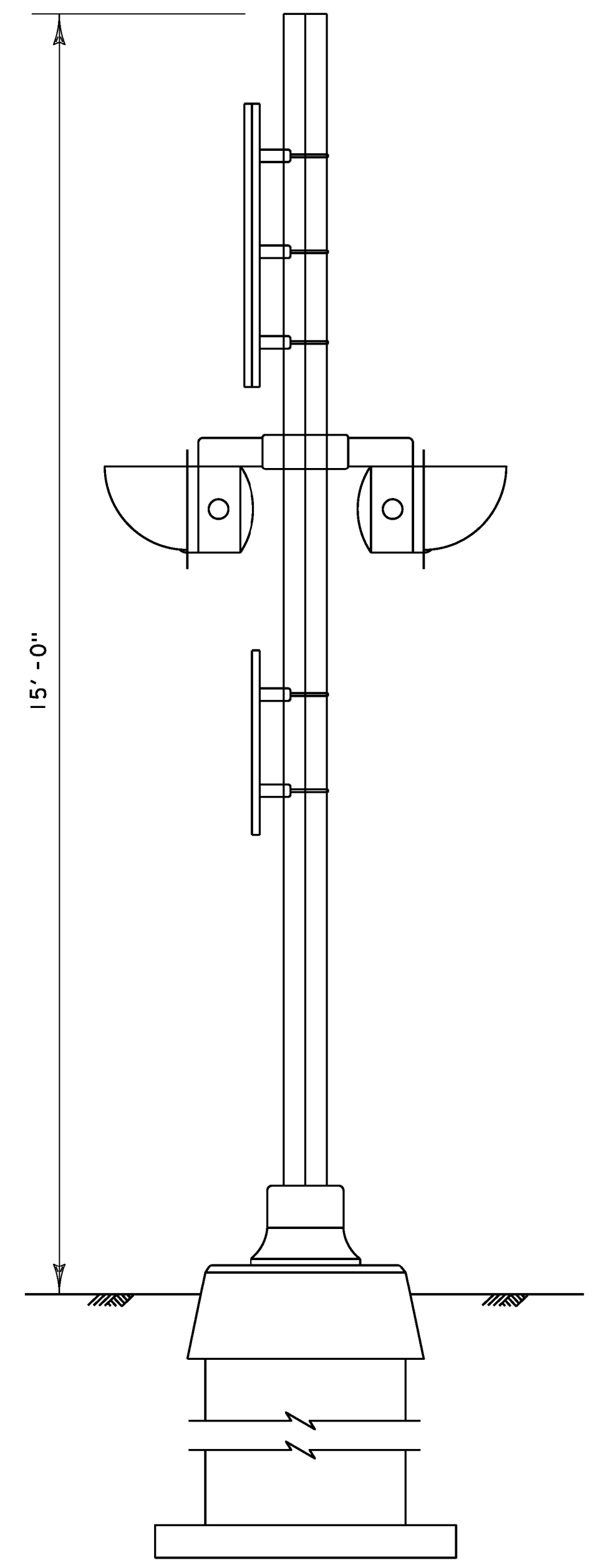
NOTE: SEE TYPICAL CROSSARM WITH BRACKETS DETAIL ON SIGNAL ASSEMBLY DETAILS SHEET 1

**PLAN VIEW**



**ROADWAY VIEW**

**SIGNAL ASSEMBLY G-3, AND G-4**  
NOT TO SCALE



**SIDE VIEW**

PROJECT NAME:	PITTSFORD
PROJECT NUMBER:	STP 2033(21)
FILE NAME:	...13 signal assembly details.dgn
PROJECT LEADER:	G. EDWARDS
DESIGNED BY:	STANTEC
<b>SIGNAL ASSEMBLY DETAILS 2</b>	
PLOT DATE:	5/21/2013
DRAWN BY:	DKG
CHECKED BY:	KJR
SHEET	20 OF 21

