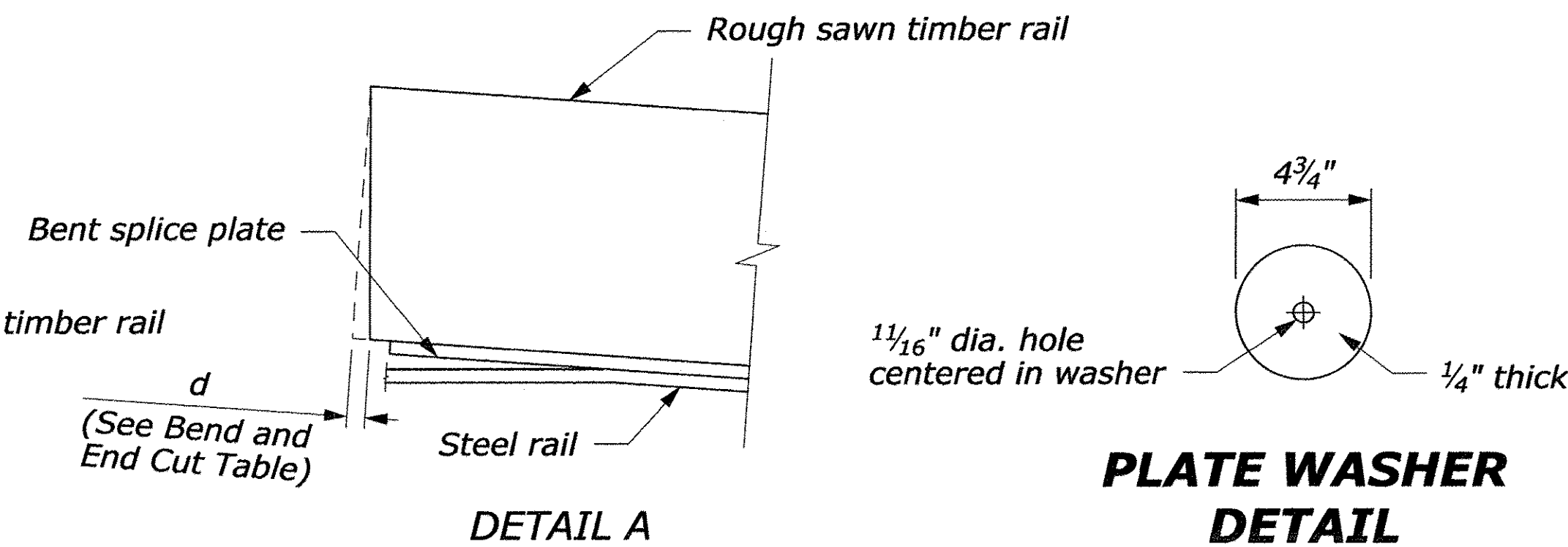
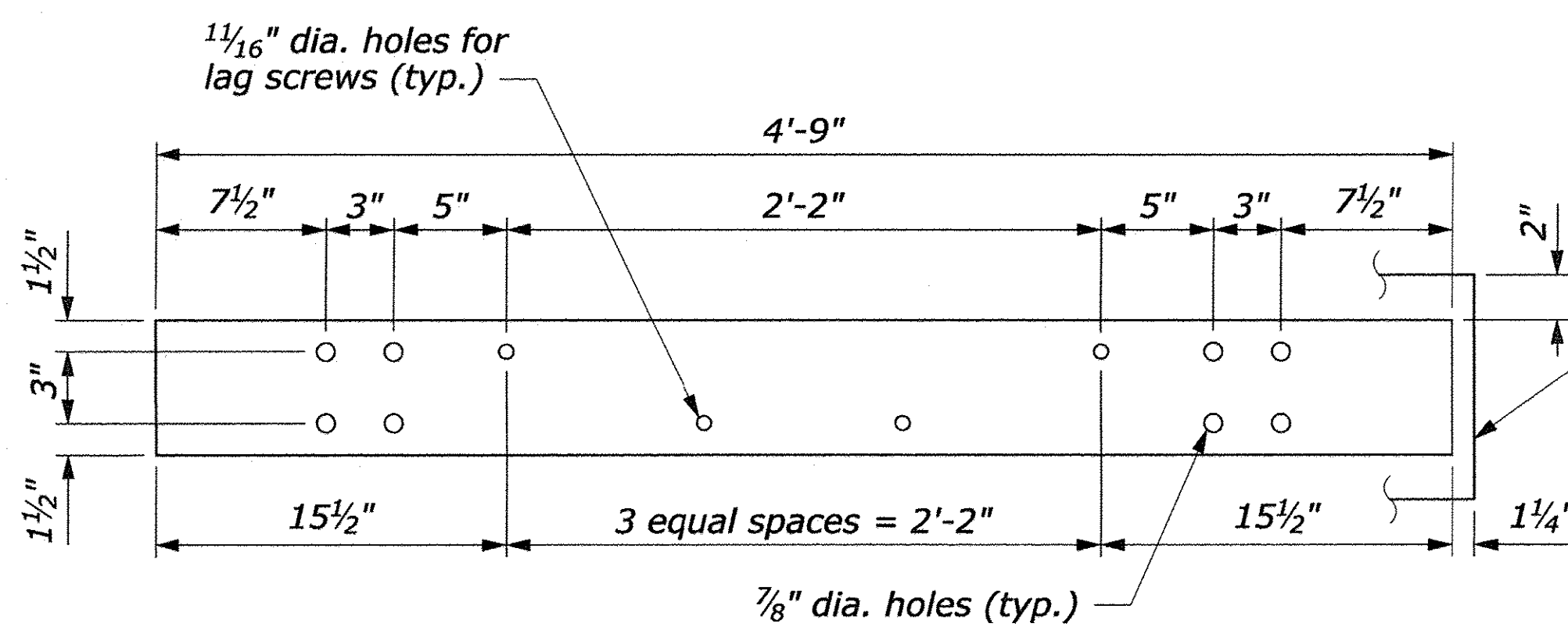
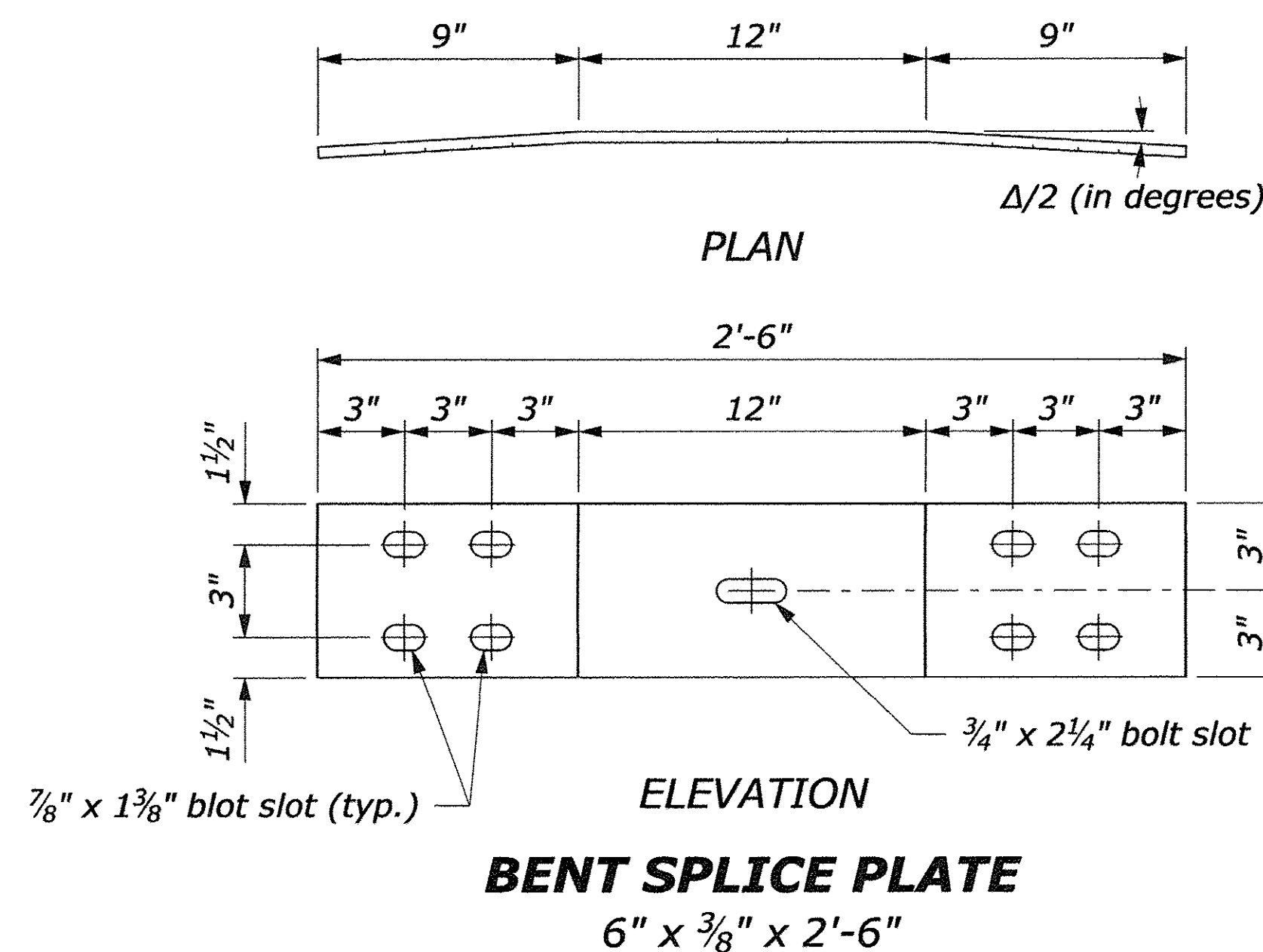
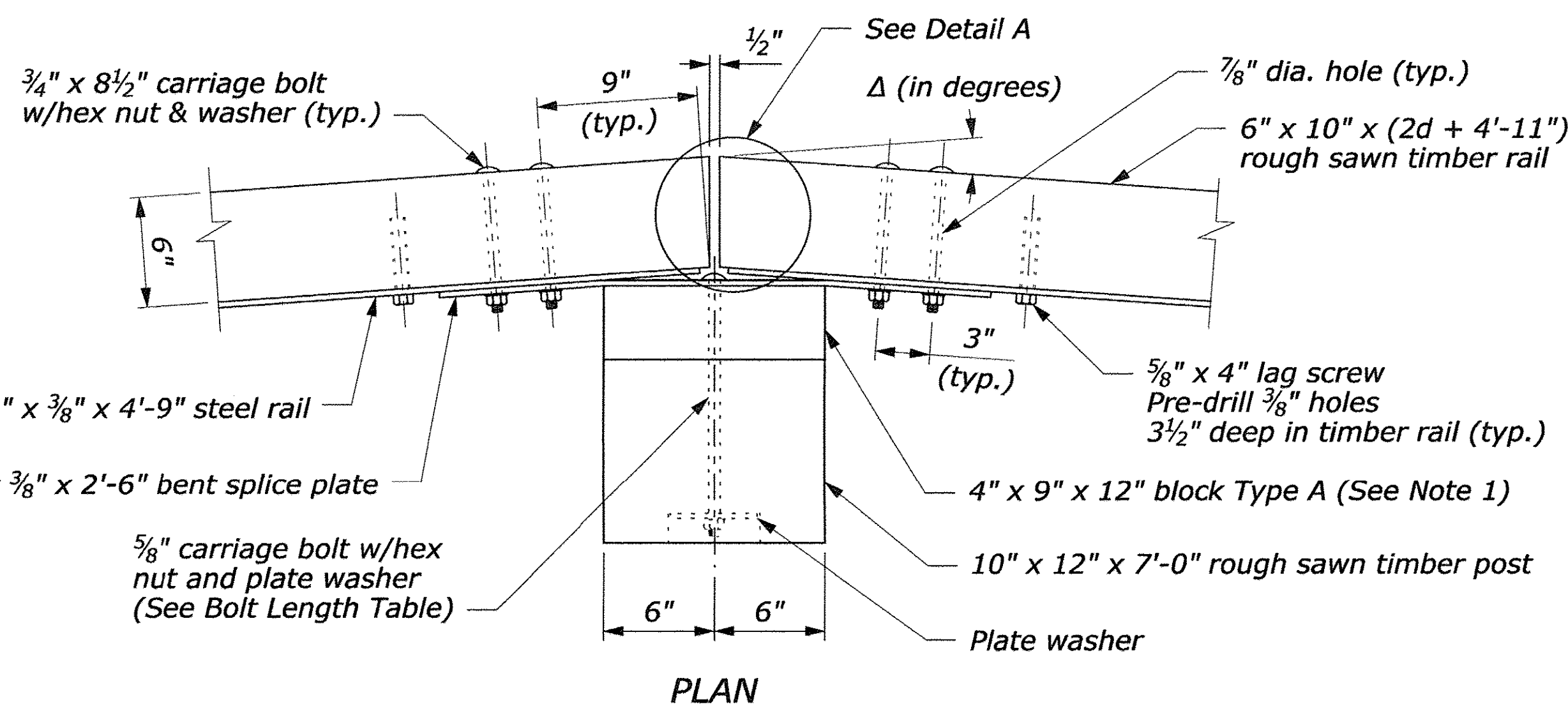


STATE	PROJECT	SHEET NUMBER



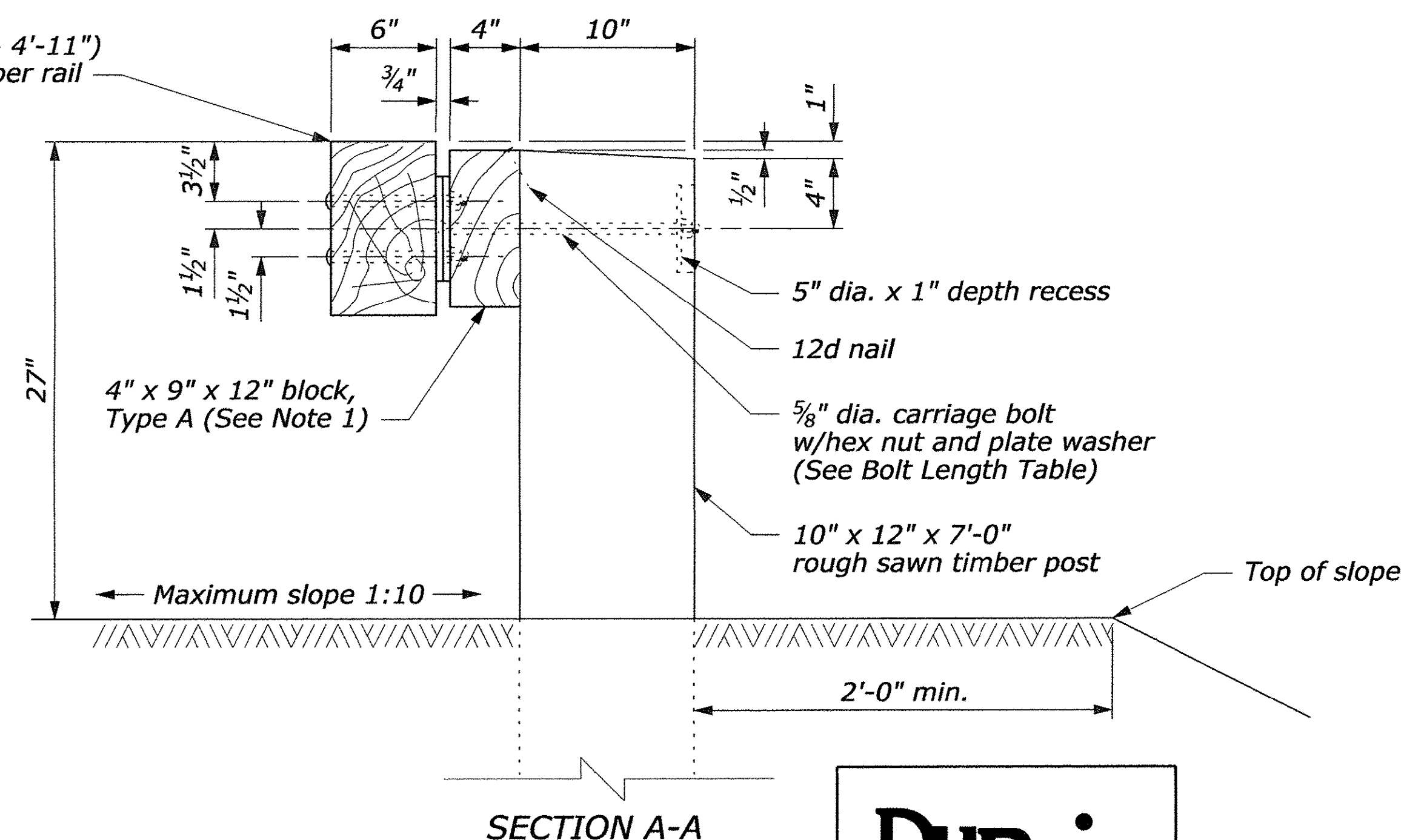
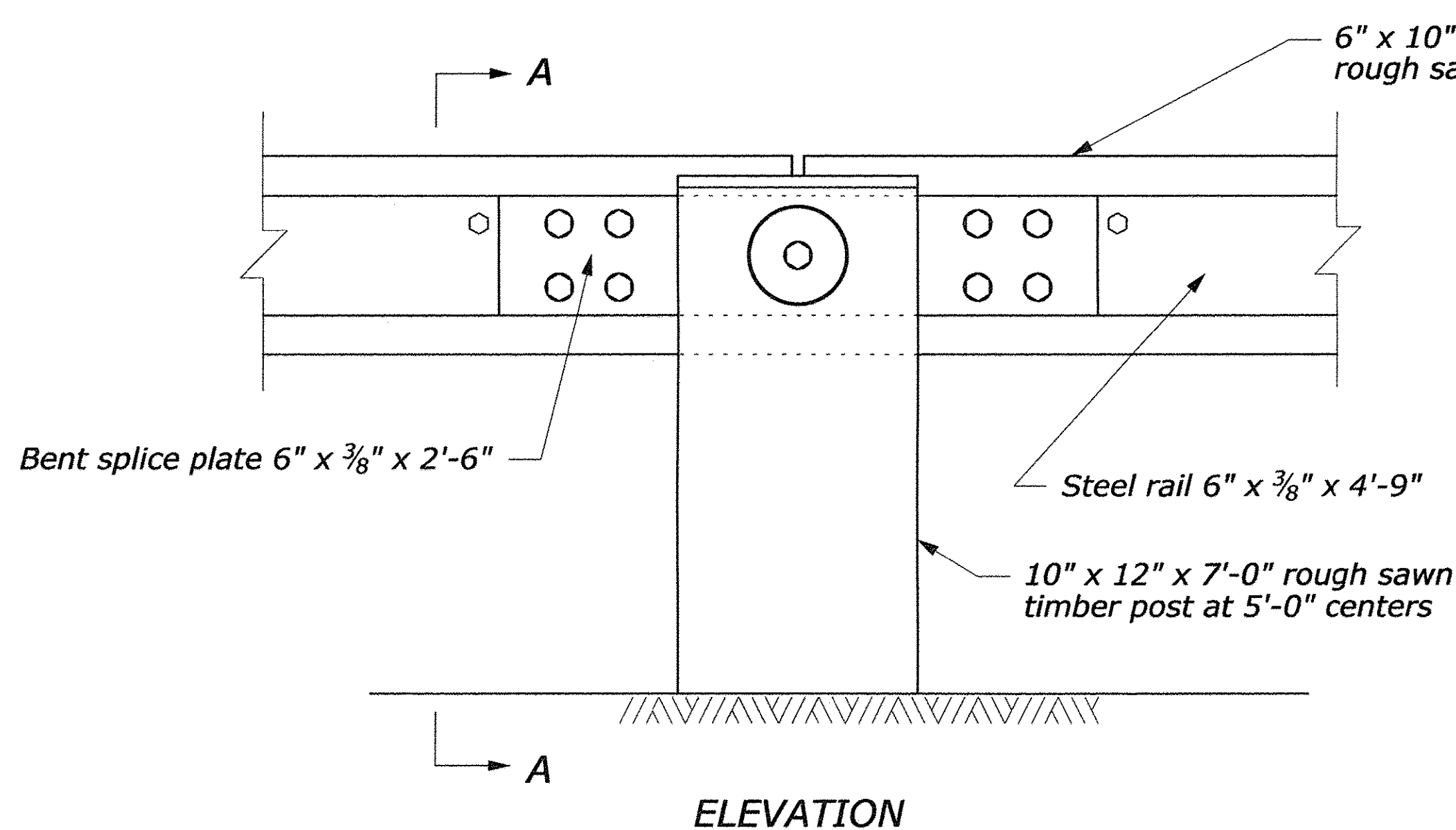
**NOTE:**

1. Use the Type A, blocked-out, system or the Type B, non-blocked-out, system as specified.
2. Use the weathering steel for all structural steel and fastener hardware.
3. Furnish shop bent splice plates. Use the minimum bend angle shown in the table below.
4. See Sheet 2 of 2 for Plan View Layout.

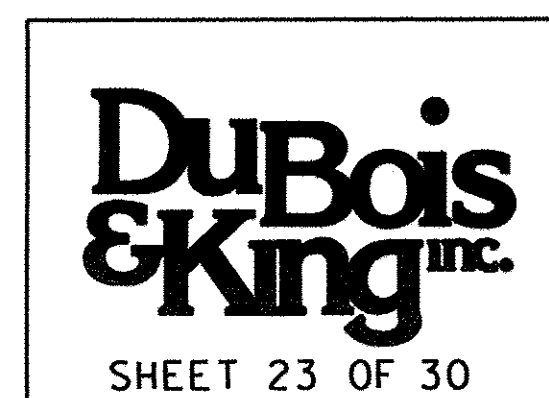


BEND AND END CUT TABLE		
Radius R ft	Δ/2 degrees	d in
20	7.18	3/4
25	5.74	5/8
30	4.78	1/2
35	4.10	7/16
40	3.58	3/8
45	3.18	1/3
50	2.87	5/16
55	2.61	1/4
60	2.39	1/4
65	2.20	1/4
70	2.05	1/4
over 70	flat	0

BOLT LENGTH TABLE	
Type A (Block-out)	Type B (No Block-out)
15"	11"



**POST CONNECTION**



NO SCALE

U.S. DEPARTMENT OF TRANSPORTATION  
FEDERAL HIGHWAY ADMINISTRATION  
FEDERAL LANDS HIGHWAY

U.S. CUSTOMARY STANDARD  
**STEEL-BACKED TIMBER GUARDRAIL  
AROUND CIRCULAR AND BELOW  
70 FOOT RADIUS AND BELOW**  
Sheet 1 of 2

STANDARD APPROVED FOR USE 6/2005  
REVISED:

STANDARD  
617-63