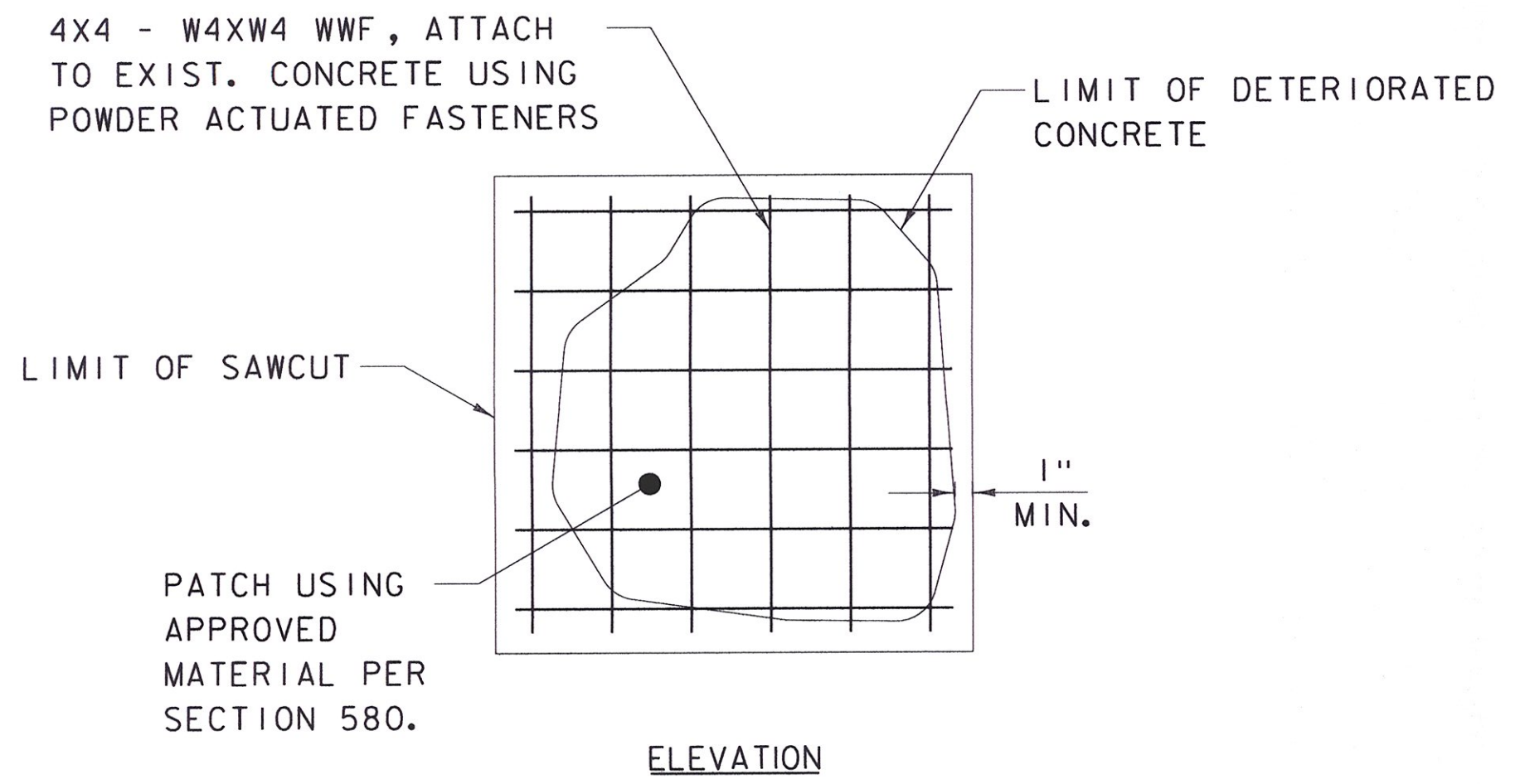
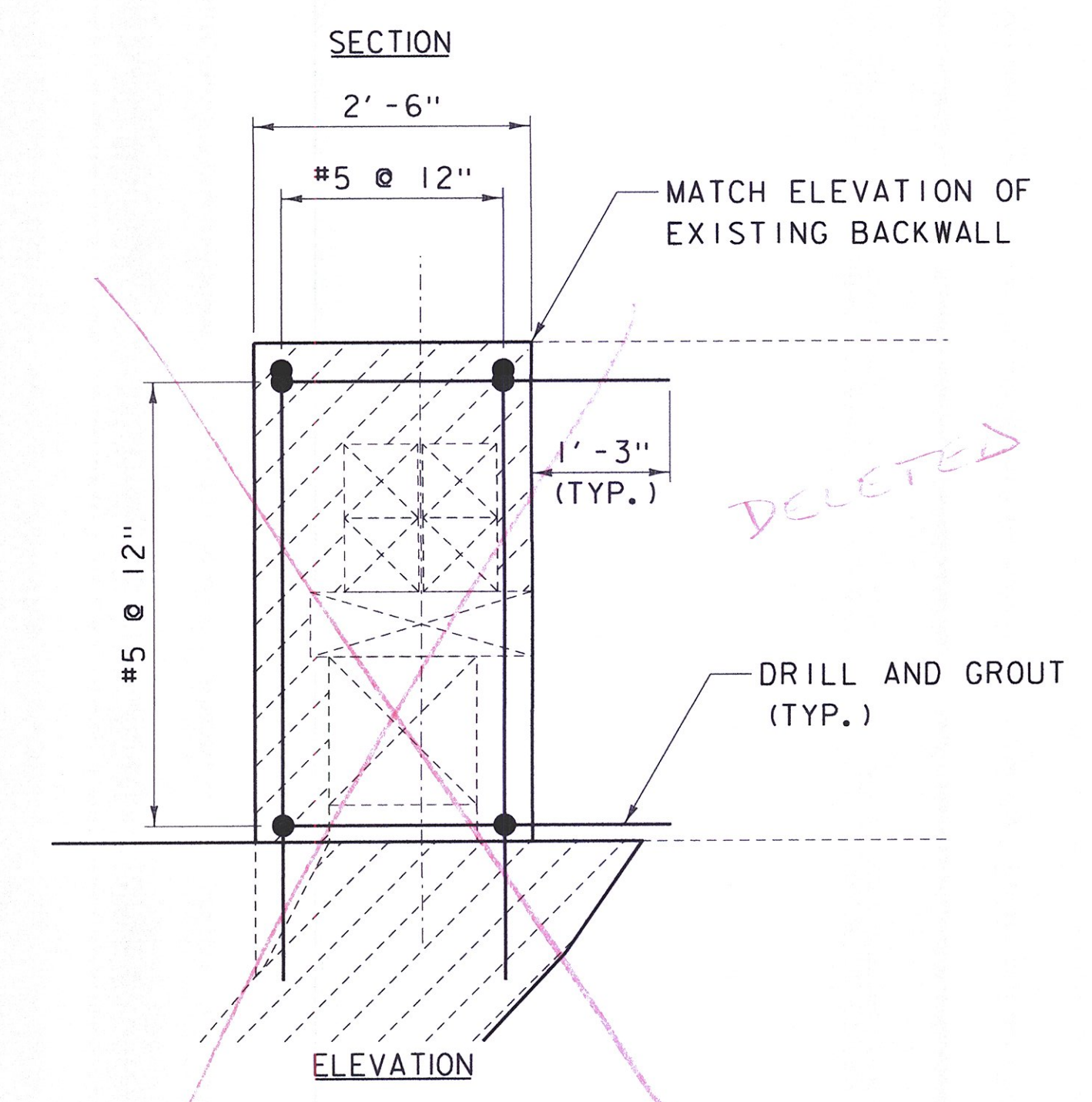
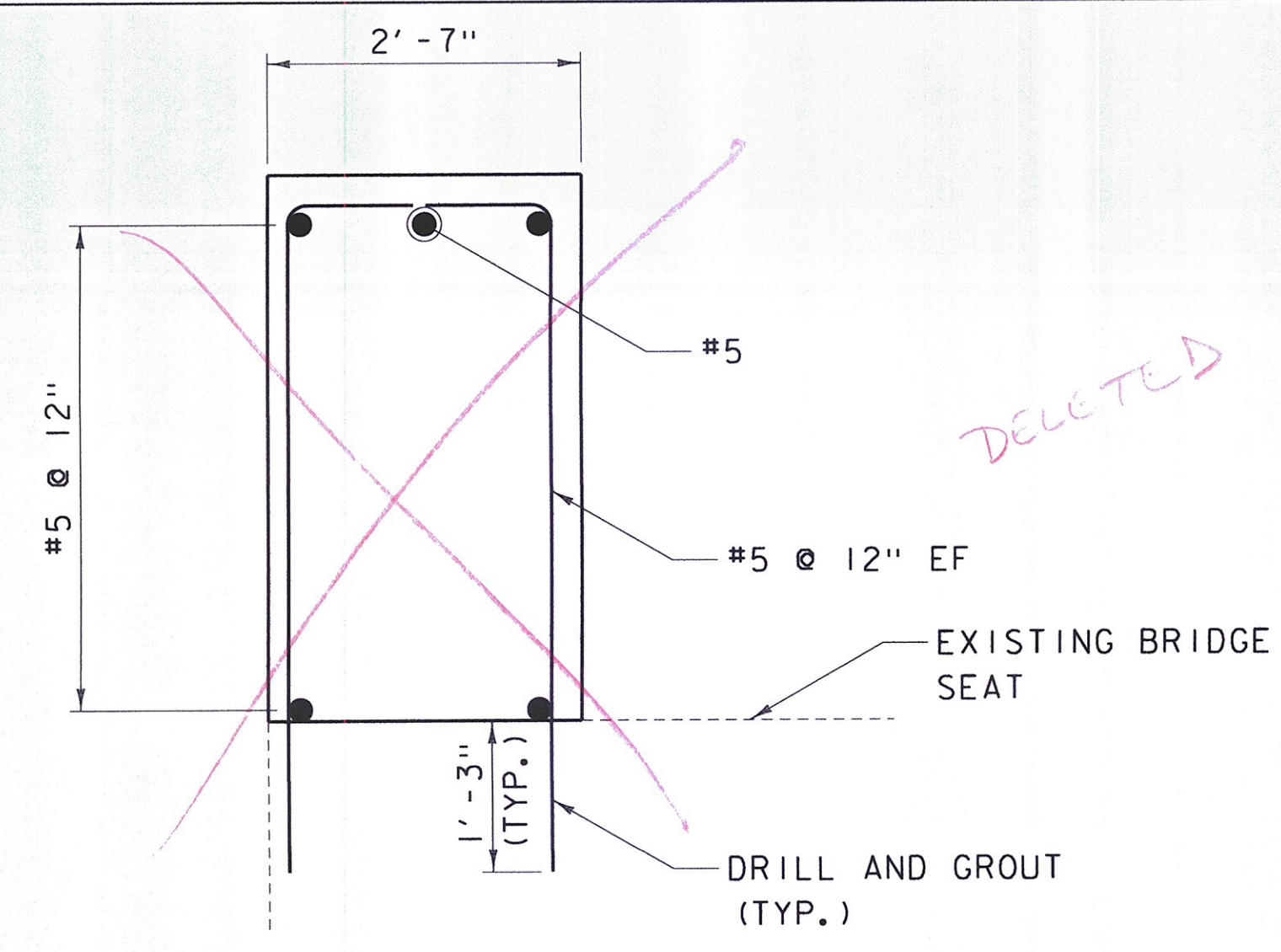


REPAIR w/ CLASS AA CONCRETE



CONCRETE REPAIR DETAIL
NOT TO SCALE

NOTE: COST FOR WWF SHALL BE INCLUDED UNDER CONCRETE REPAIR ITEM



BACKWALL REPLACEMENT DETAIL
NOT TO SCALE

CLH
12-1-15

DuBois & King Inc.
ENGINEERING • PLANNING • MANAGEMENT • DEVELOPMENT
6 GREEN TREE DRIVE
SOUTH BURLINGTON, VT 05403
TEL: (802) 878-7661
FAX: (866) 783-7101
www.dubois-king.com
RANDOLPH, VT
SPRINGFIELD, VT
BEDFORD, NH
LACONIA, NH
© Copyright 2014 Dubois & King Inc.
PROFESSIONAL SEAL

FINAL PLANS

TOWN OF WAITSFIELD
9 BRIDGE STREET
WAITSFIELD, VT

VILLAGE COVERED BRIDGE REHAB. & BRIDGE STREET STORMWATER IMPROVEMENTS

SHEET TITLE
SUBSTRUCTURE DETAILS

DRAWN BY	DATE
RHB/JDG	DEC. 2014
CHECKED BY	D&K PROJECT #
RHD	620922
PROJ. ENG.	D&K ARCHIVE #
RHB	620922

SHEET NUMBER

20

SHEET 20 OF 30

i:\620922 - Waitsfield\DESIGN\CADD FILES\620922-50.dgn

DATUM
VERTICAL NAVD 88
HORIZONTAL NAD 83 (GPS)

PLOTTED 12/30/2014