

FINAL PLANS

NO.	DATE	DESCRIPTION
1	7/31/15	WALL UPDATES
2		
3		
4		
5		
6		
7		
8		
9		
10		

TOWN OF
WAITSFIELD
9 BRIDGE STREET
WAITSFIELD, VT

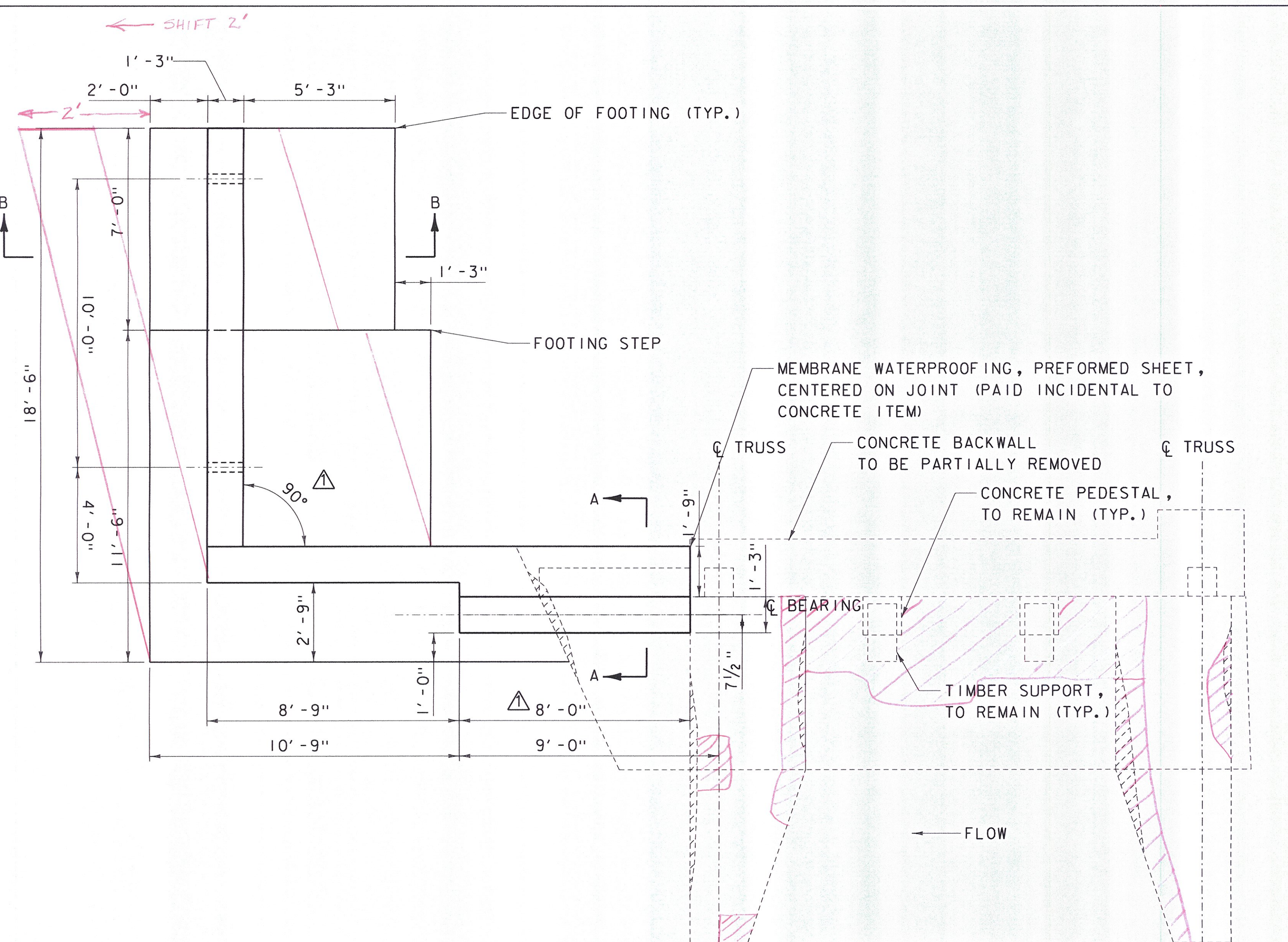
VILLAGE COVERED
BRIDGE REHAB. &
BRIDGE STREET
STORMWATER
IMPROVEMENTS

SHEET TITLE
SOUTH ABUTMENT &
SOUTHEAST
WINGWALL
MASONRY

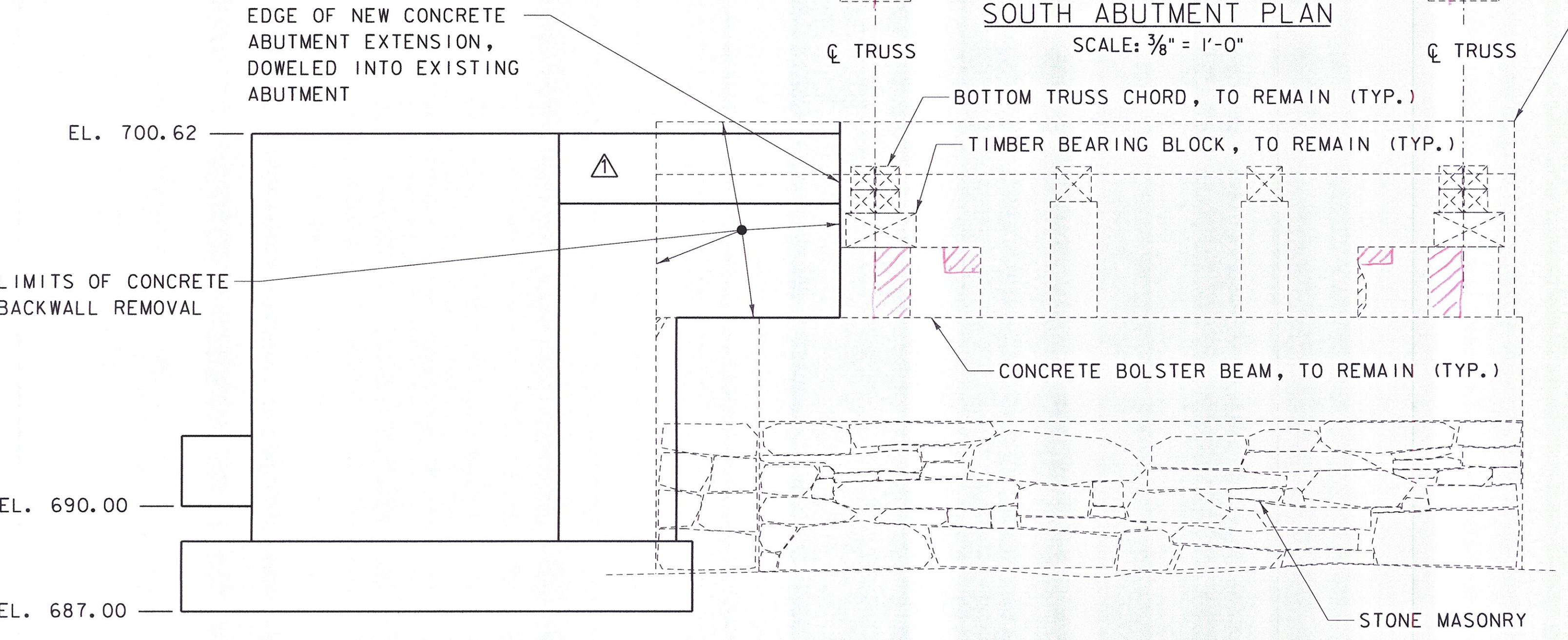
DRAWN BY	DATE
RHB/JDG	DEC. 2014
CHECKED BY	DKK PROJECT #
RHD	620922
PROJ. ENG.	DKK ARCHIVE #
RHB	620922

SHEET NUMBER

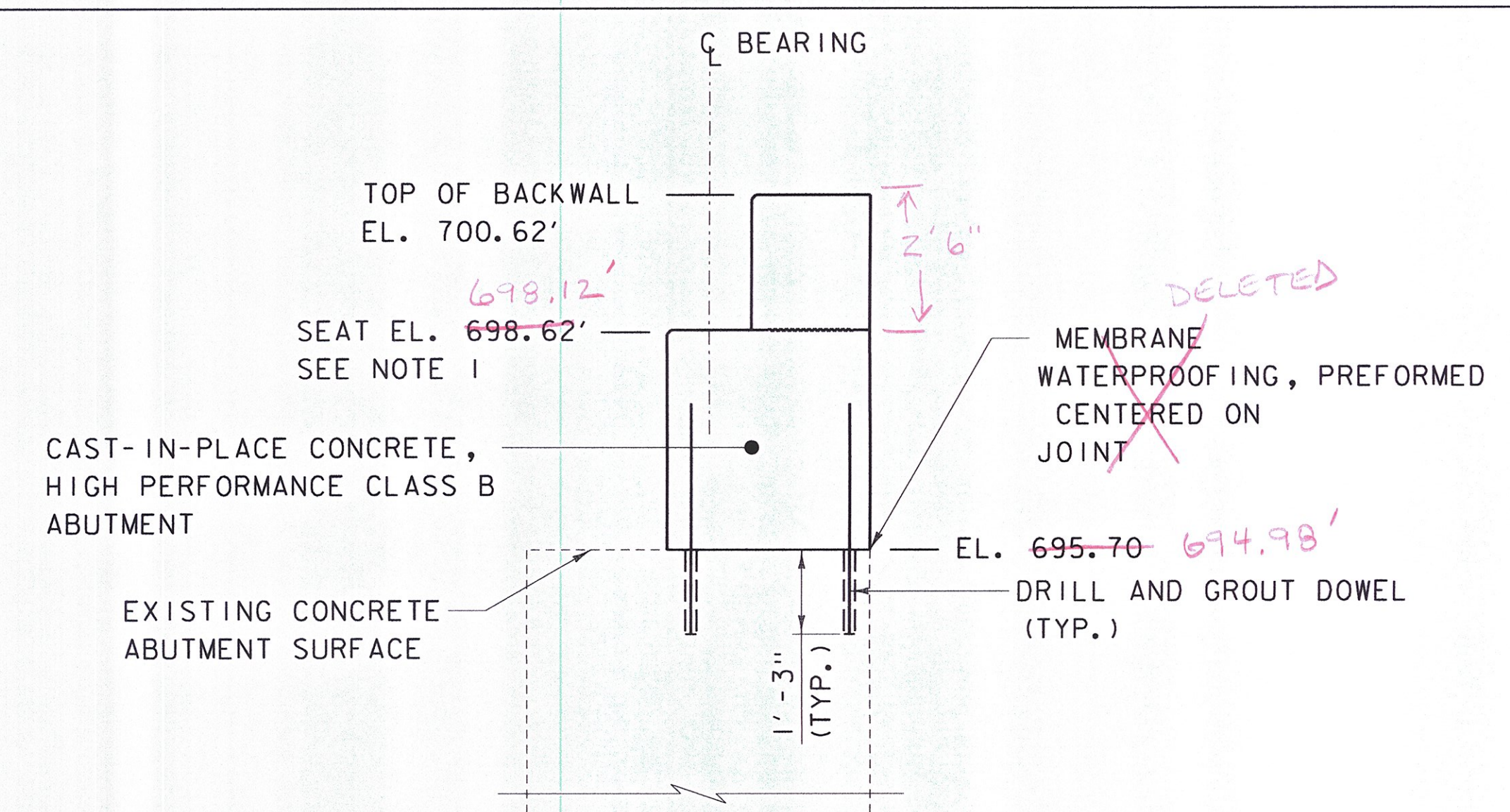
18



SOUTH ABUTMENT PLAN
SCALE: 3/8" = 1'-0"



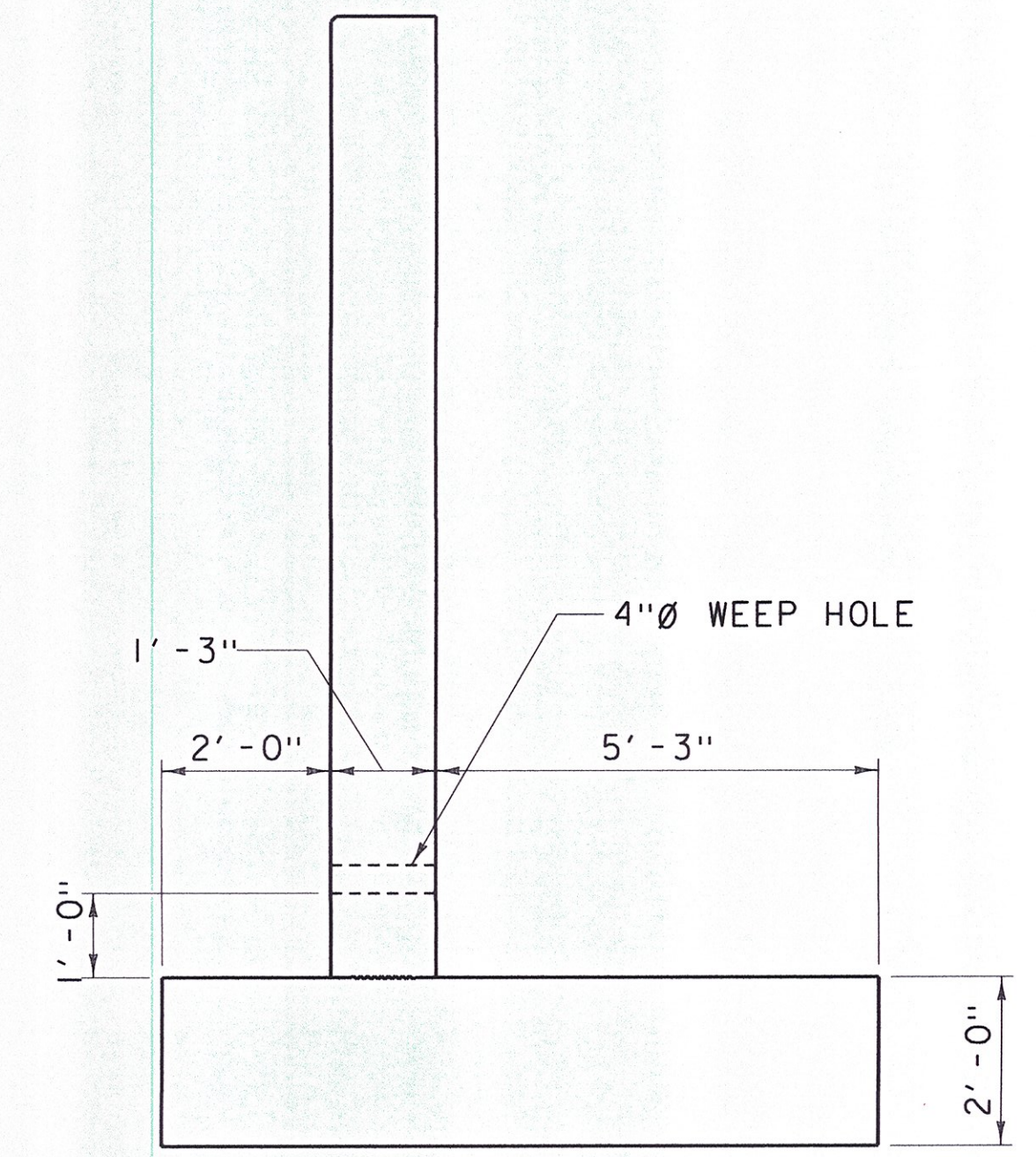
SOUTH ABUTMENT ELEVATION
SCALE: 3/8" = 1'-0"



SECTION A-A
SCALE: 1/2" = 1'-0"

- NOTES**
- ELEVATION IS BASED ON A 2'-0" DEPTH OF SUPERSTRUCTURE AND BEARING FROM SIDEWALK GRADE TO BRIDGE SEAT. IF A DIFFERENT DEPTH OF SUPERSTRUCTURE AND BEARING IS USED, ADJUST THIS ELEVATION ACCORDINGLY, WHILE MAINTAINING A LOW CHORD NO LOWER THAN EL. 698.95. *697.94'*
 - REFER TO SHEET 4, CONCRETE REPAIR NOTES FOR CONCRETE REPAIR INFORMATION.

= APPROX. DETERIORATED OR SPALLED CONCRETE AREA



SECTION B-B
SCALE: 1/2" = 1'-0"

CL 1/12/2015

I:\620922 - Proj\Final\DESIGN\CADD FILES\620922_SUB.dgn

DATUM
VERTICAL NAVD 88
HORIZONTAL NAD 83 (GPS)