

**FINAL PLANS**

NO.	DATE	DESCRIPTION	BY	CHKD
1	9/22/15	NEW WALL AND SHEET	PCB	EPD

TOWN OF  
WAITSFIELD  
9 BRIDGE STREET  
WAITSFIELD, VT

VILLAGE COVERED  
BRIDGE REHAB. &  
BRIDGE STREET  
STORMWATER  
IMPROVEMENTS

SHEET TITLE

NORTHEAST  
WINGWALL  
MASONRY AND  
REINFORCING

DRAWN BY	DATE
RHB/JDG	DEC. 2014
CHECKED BY	D&K PROJECT #
RHD	620922
PROJ. ENG.	D&K ARCHIVE #
RHB	620922

SHEET NUMBER

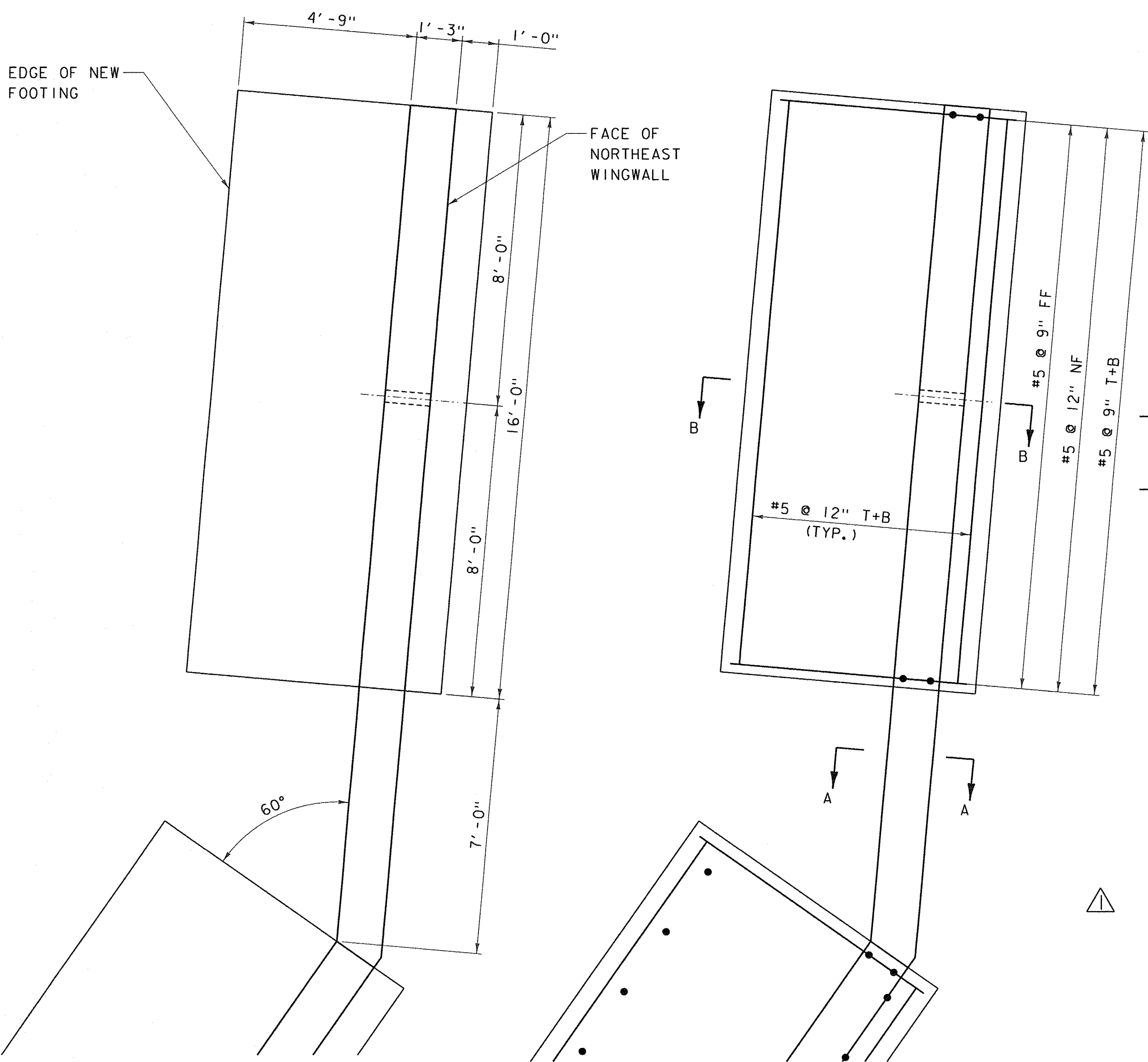
**17A**

TOP OF WALL  
EL. 701.32

TOP OF WALL  
EL. 699.64

EDGE OF NEW  
FOOTING

FACE OF  
NORTHEAST  
WINGWALL



NORTHEAST WINGWALL MASONRY PLAN

SCALE: 1/2" = 1'-0"

NORTHEAST WINGWALL FOOTING

REINFORCING PLAN

SCALE: 1/2" = 1'-0"

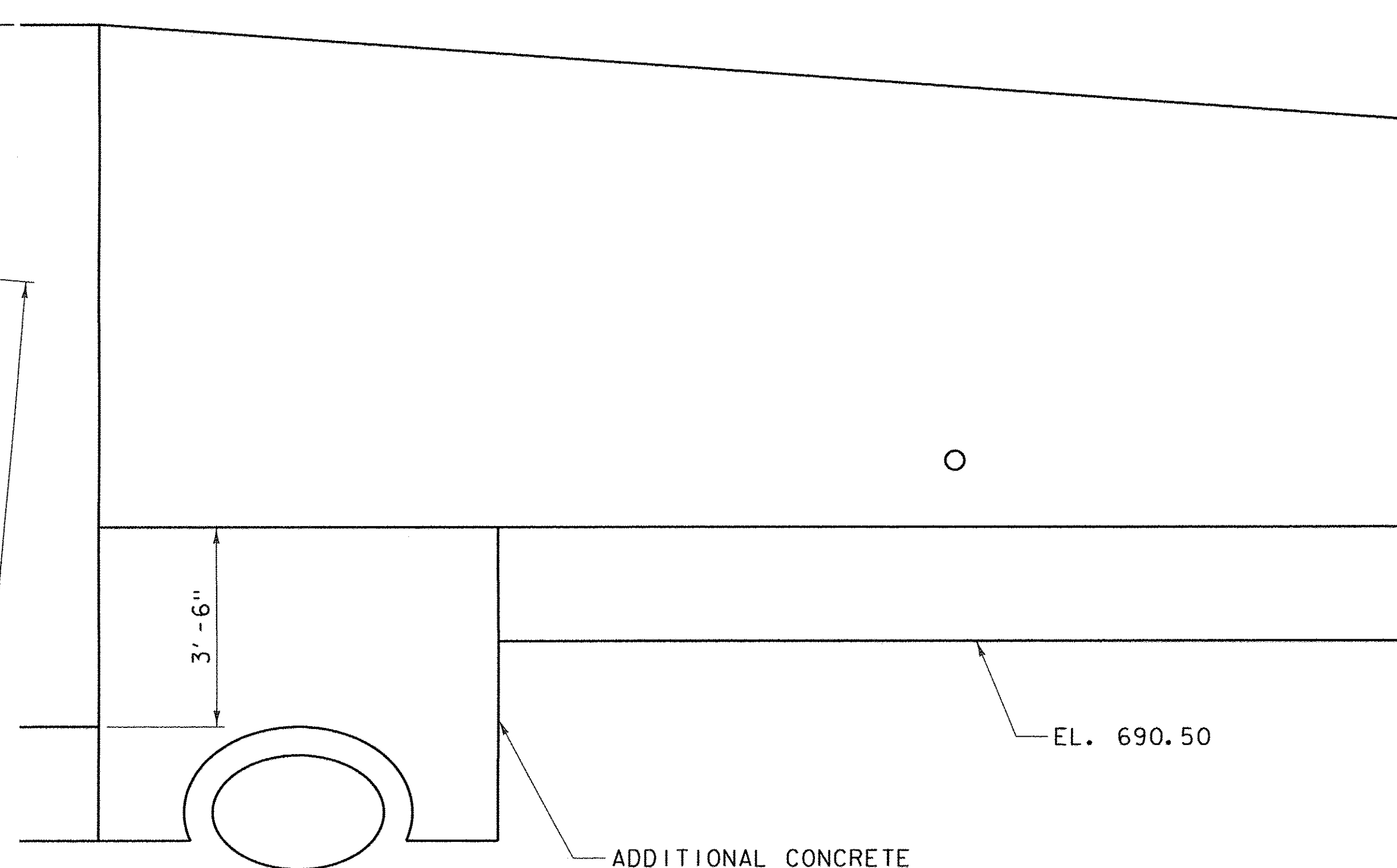
NOTE:

NF = NEAR FACE  
FF = FAR FACE  
EF = EACH FACE  
T+B = TOP AND BOTTOM  
▲ = CUT TO FIT IN FIELD  
3" CLEAR, UNLESS OTHERWISE  
SPECIFIED ON THE PLANS.  
2'-2" BAR LAP UNLESS OTHERWISE  
SPECIFIED ON THE PLANS.

NOTE:  
ADDITIONAL CONCRETE  
POUR TO INFILL AREA  
BETWEEN BOTTOM OF  
WALL AND TOP OF PIPE  
NOT SHOWN FOR CLARITY

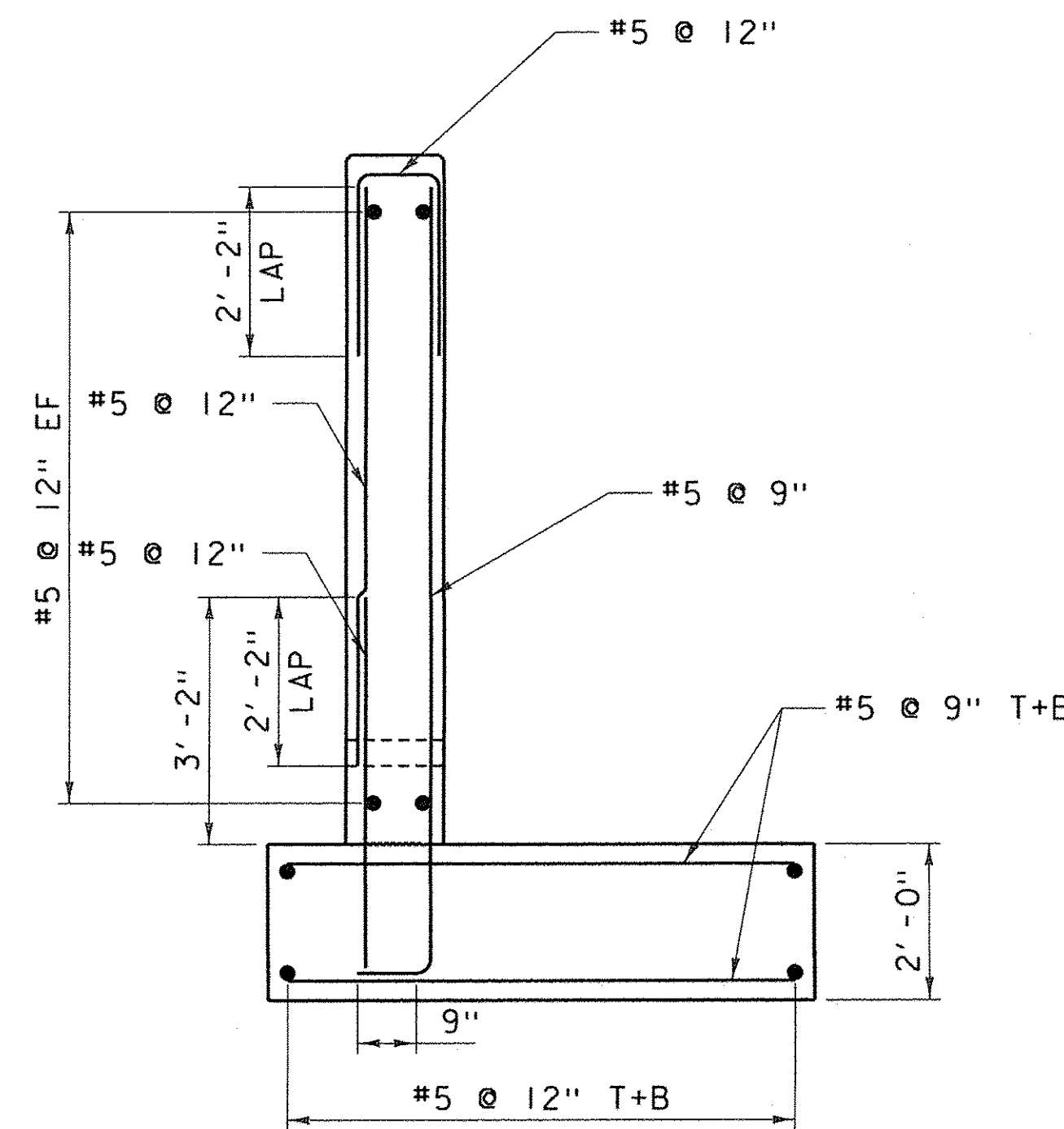
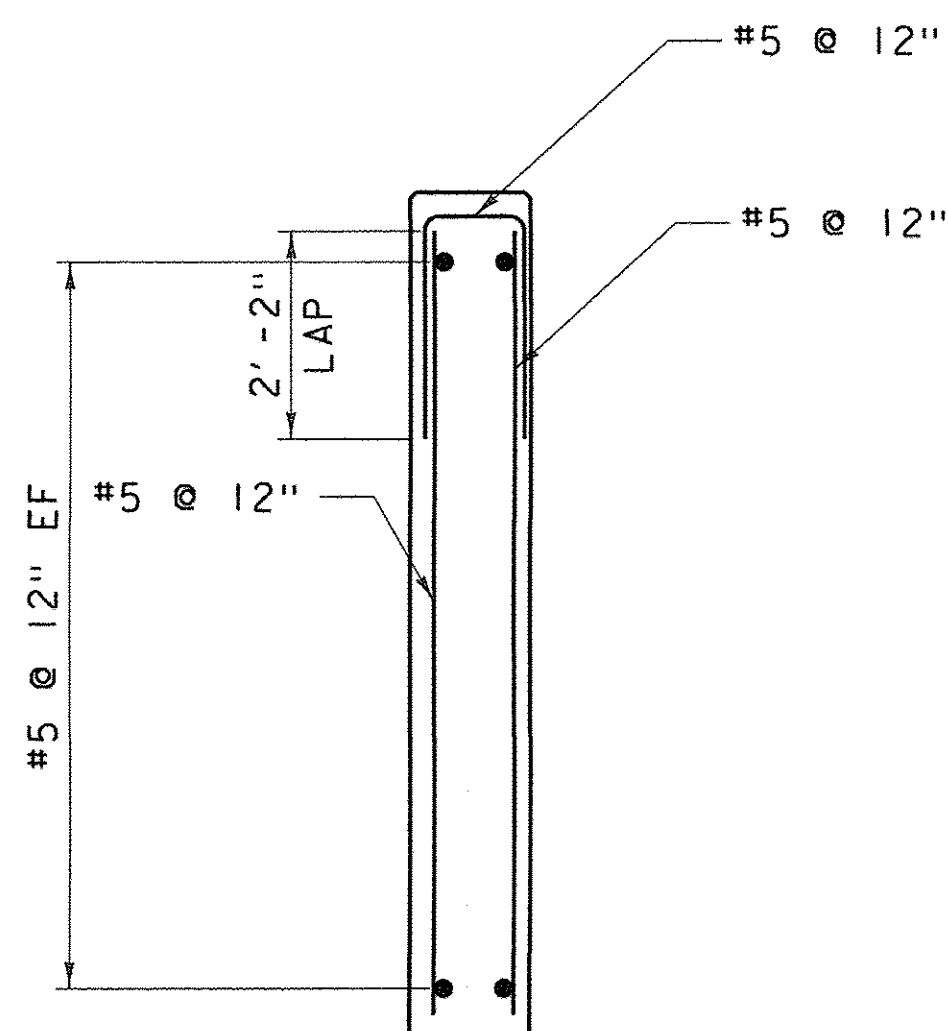
SECTION A-A

SCALE: 1/2" = 1'-0"



NORTHEAST WINGWALL ELEVATION

SCALE: 1/2" = 1'-0"



SECTION B-B

SCALE: 1/2" = 1'-0"

DATUM	
VERTICAL	NAVD 88
HORIZONTAL	NAD 83 (GPS)