

NO.	DATE	DESCRIPTION	BY	CHKD
1				
2				
3				
4				
5				
6				
7				
8	8/10/15	NORTHEAST WALL UPDATE	PGB	EPD
9	7/31/15	WALL UPDATES	PGB	EPD
10				
11				

TOWN OF
WAITSFIELD
9 BRIDGE STREET
WAITSFIELD, VT

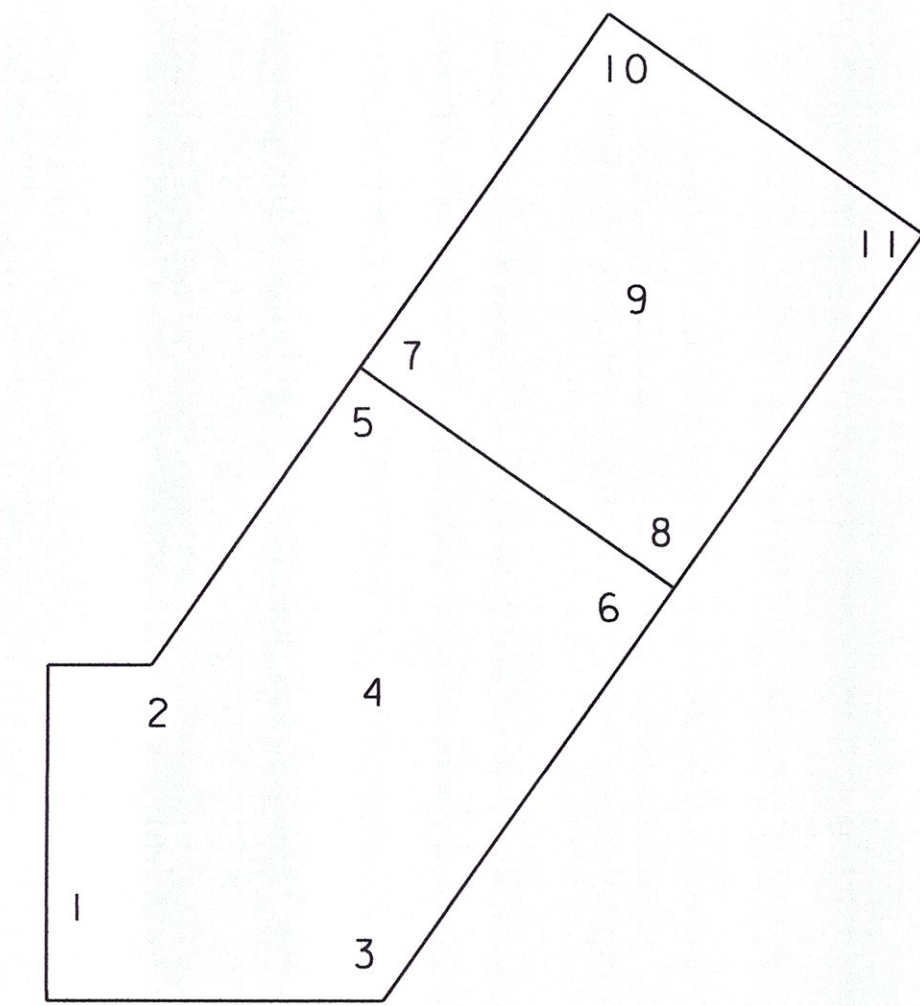
VILLAGE COVERED
BRIDGE REHAB. &
BRIDGE STREET
STORMWATER
IMPROVEMENTS

SHEET TITLE

NORTH ABUTMENT &
NORTHEAST
WINGWALL
REINFORCING

DRAWN BY	DATE
RHB/JDG	DEC. 2014
CHECKED BY	D&K PROJECT #
RHD	620922
PROJ. ENG.	D&K ARCHIVE #
RHB	620922

SHEET NUMBER



APPROXIMATE SUBFOOTING
OR LEDGE REMOVAL DEPTHS
NOT TO SCALE

LOCATION	APPROX. LEDGE ELEVATION	APPROX. SUBFOOTING DEPTH	APPROX. LEDGE REMOVAL
1	690.1	-	0.1'
2	690.1	-	0.1'
3	684.2	5.8'	-
4	686.9	3.1'	-
5	687.2	2.8'	-
6	685.8	4.2'	-
7	685.9	1.1'	-
8	685.7	1.3'	-
9	685.9	1.1'	-
10	685.9	1.1'	-
11	685.7	1.3'	-

DRILL AND GROUT,
#5 DOWEL @ 12" EF
INTO EXIST. BACKWALL
AND STEM

1'-3"
MIN.

DRILL AND GROUT
#5 DOWEL (15" MIN.)
EF

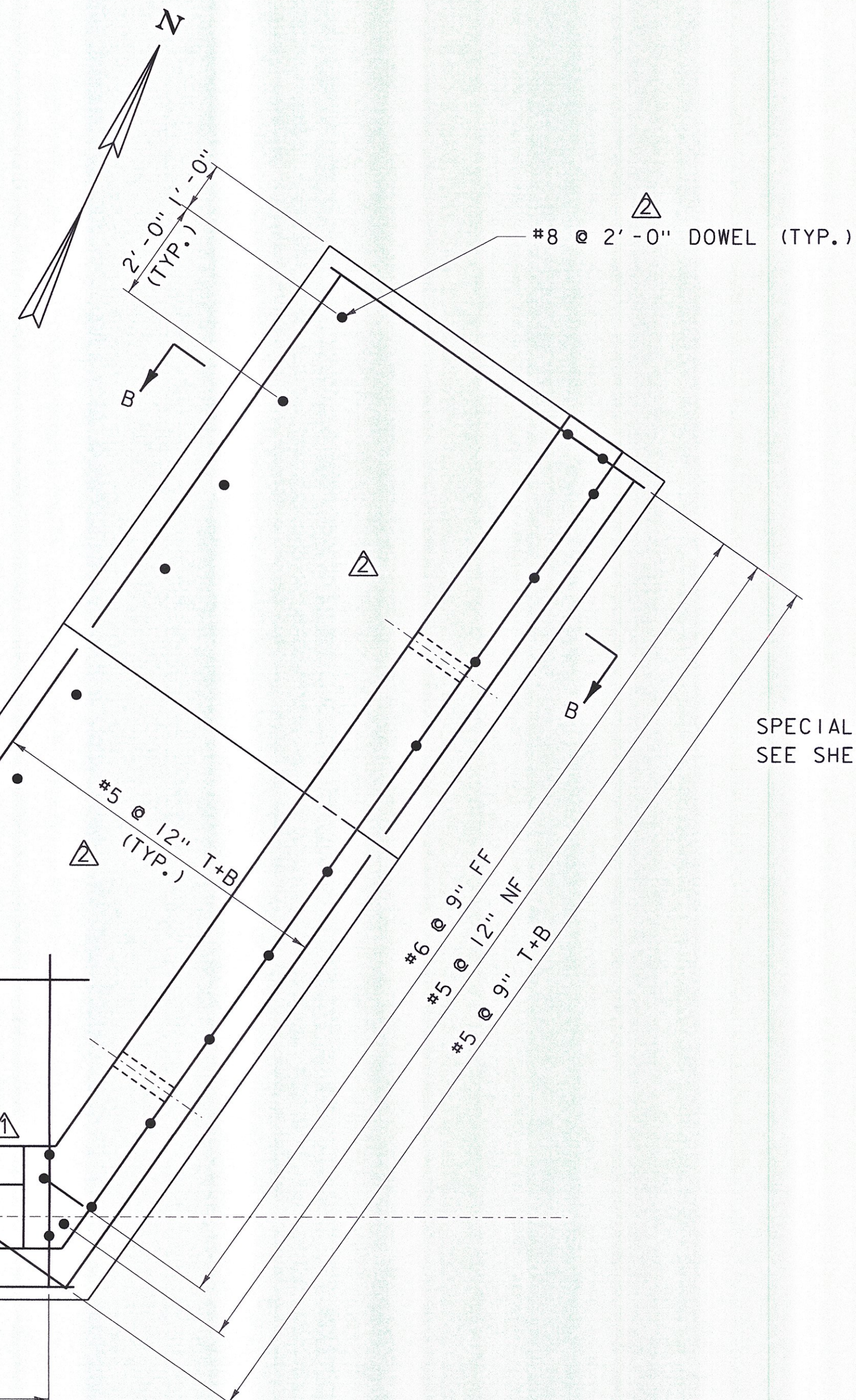
NORTH ABUTMENT AND NORTHEAST
WINGWALL PLAN
SCALE: 1/2" = 1'-0"

NOTE:

NF = NEAR FACE
FF = FAR FACE
EF = EACH FACE
T+B = TOP AND BOTTOM
▲ = CUT TO FIT IN FIELD
3" CLEAR, UNLESS OTHERWISE
SPECIFIED ON THE PLANS.
2'-2" BAR LAP UNLESS OTHERWISE
SPECIFIED ON THE PLANS.

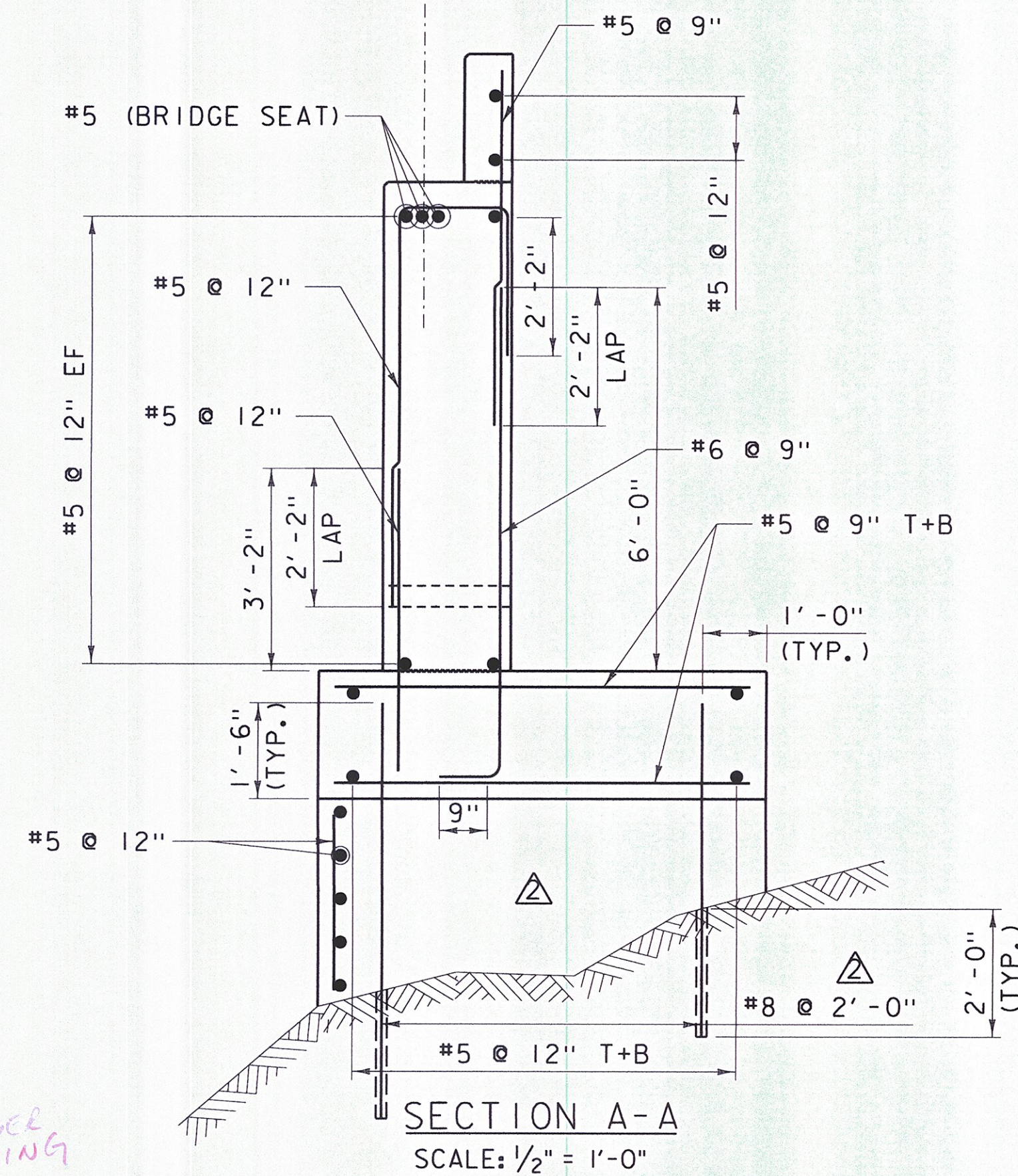
DATUM
VERTICAL NAVD 88
HORIZONTAL NAD 83 (GPS)

PLOTTED 8/11/2015

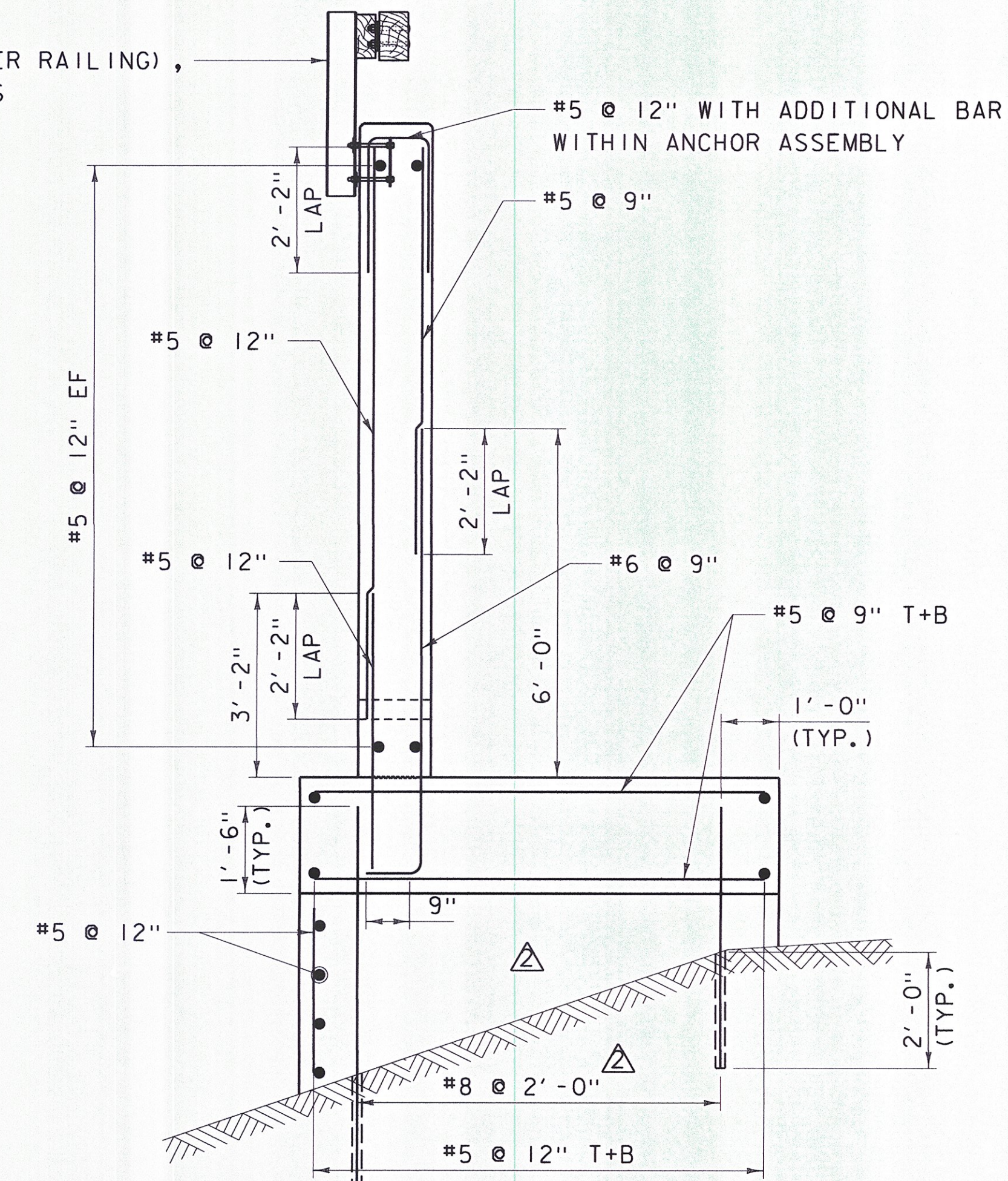


SPECIAL PROVISION (TIMBER RAILING),
SEE SHEET 22 FOR DETAILS

~~DELETED TIMBER RAILING~~



SECTION A-A
SCALE: 1/2" = 1'-0"



SECTION B-B
SCALE: 1/2" = 1'-0"