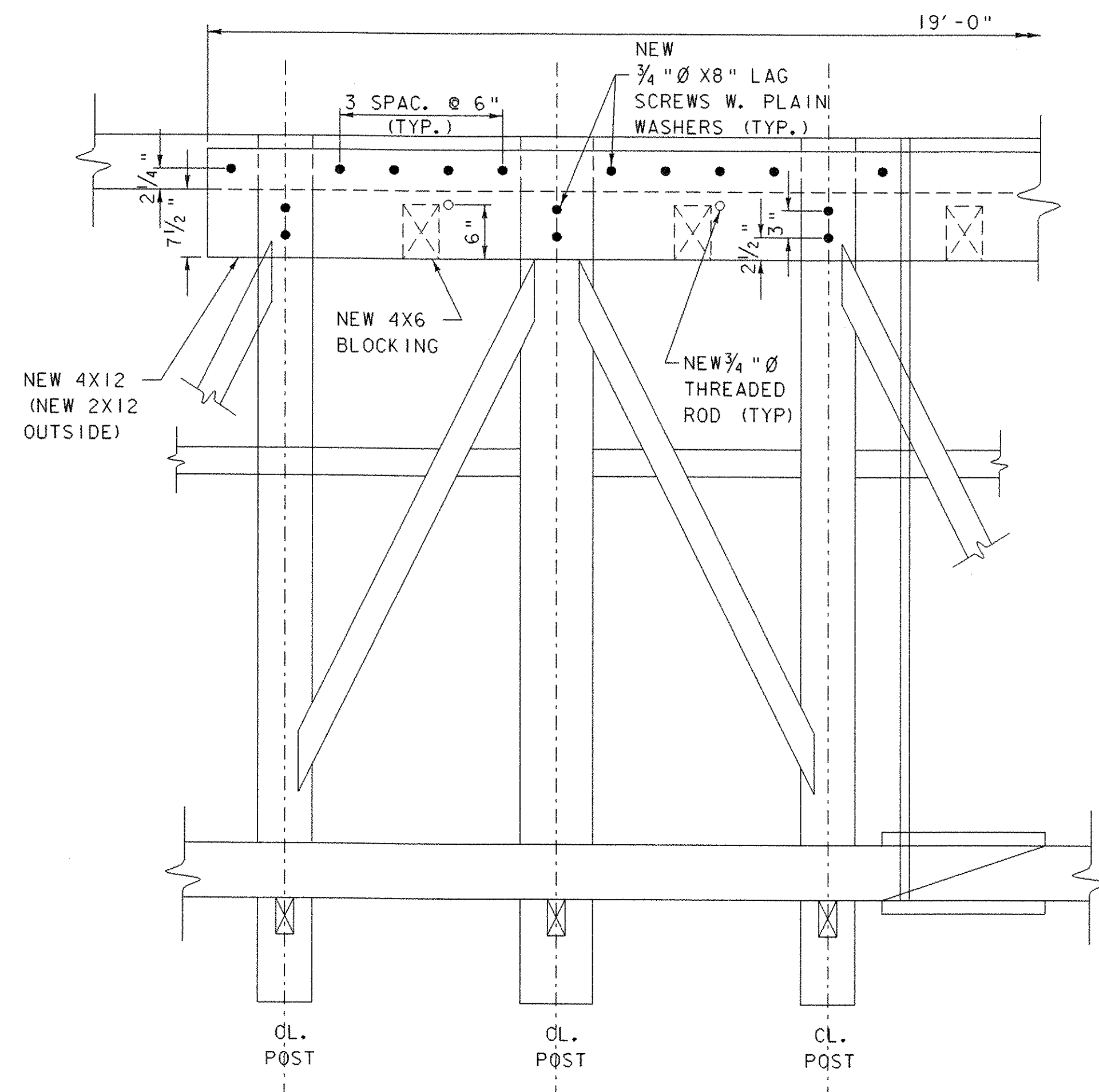


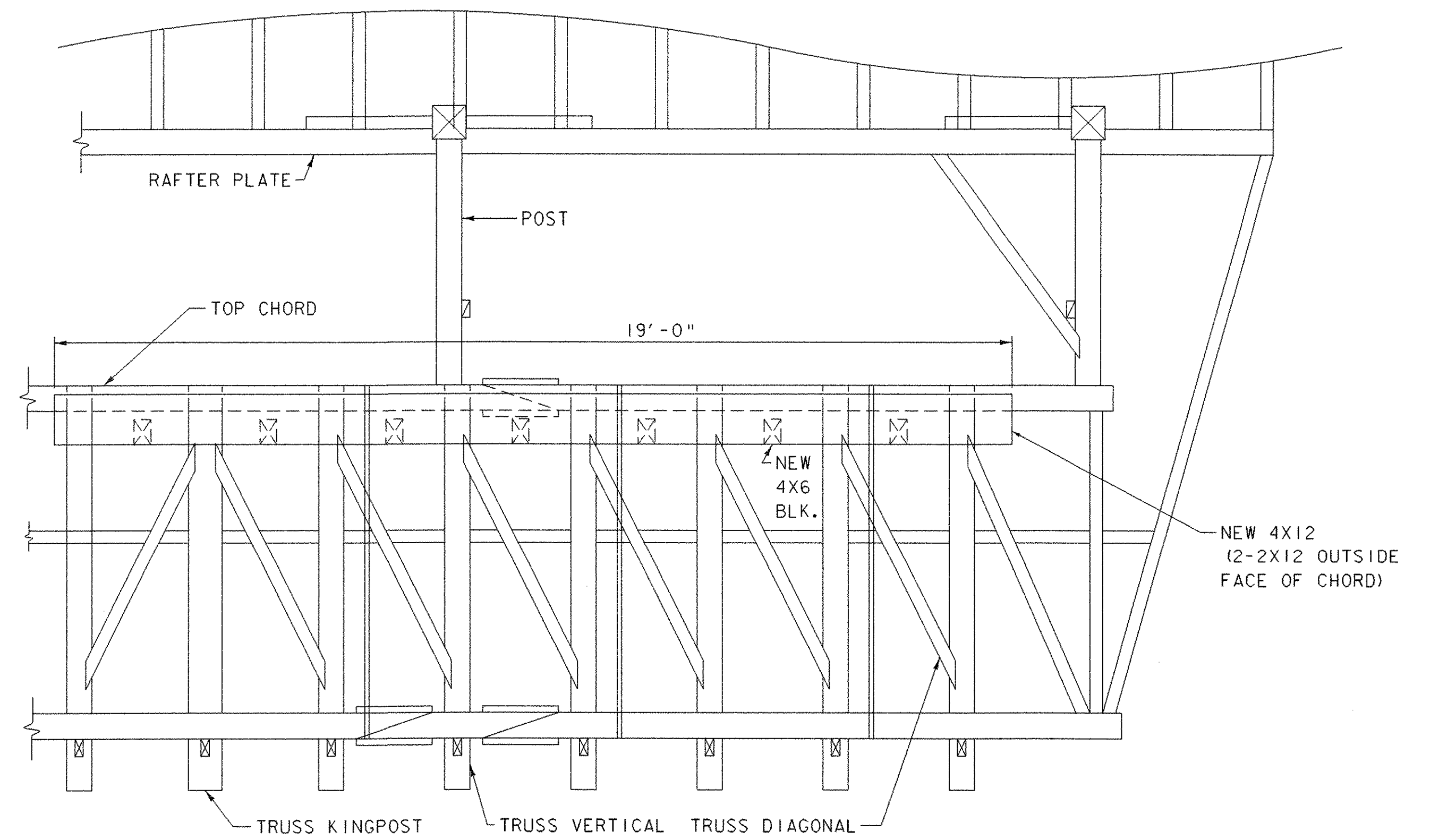
SECTION @ EXISTING TRUSS  
SCALE: 3/4" = 1'-0"

SCALE 3/4" = 1'-0"



DOWNSTREAM TRUSS\*  
INSIDE VIEW DETAILS  
SCALE: 1" = 1'-0"

\* OUTSIDE VIEW SIMILAR FASTENER DETAILS



DOWNSTREAM TRUSS ELEVATION  
(INSIDE VIEW-BOARDING NOT SHOWN)  
SCALE: 1/2" = 1'-0"

SCALE 1/2" = 1'-0"

NOTES:

1. ALL BRIDGE MEMBERS SHOWN ARE EXISTING EXCEPT AS NOTED.
2. ALL NEW LUMBER SHALL BE UNTREATED NO. 1/NO. 2 GRADE SPRUCE-PINE-FIR OR SYP NO. 2 GRADE.
3. ALL THREADED RODS, LAG SCREWS, NUTS, AND WASHERS SHALL BE GALV. AND MEET THE REQUIREMENTS OF ASTM 307 SPECIFICATIONS. PLATE WASHERS SHALL BE GALVINIZED AND MEET THE REQUIREMENTS OF ASTM A36/A36M SPECIFICATIONS

PROJECT NAME:	RANDOLPH
PROJECT NUMBER:	BHO_1444(50)
FILE NAME:	s06j094dt1.dgn
PROJECT LEADER:	J. WEAVER
DESIGNED BY:	J. WEAVER
CONSTRUCTION DETAILS SHEET	SHEET 13 OF 18

SCALE 1" = 1'-0"