

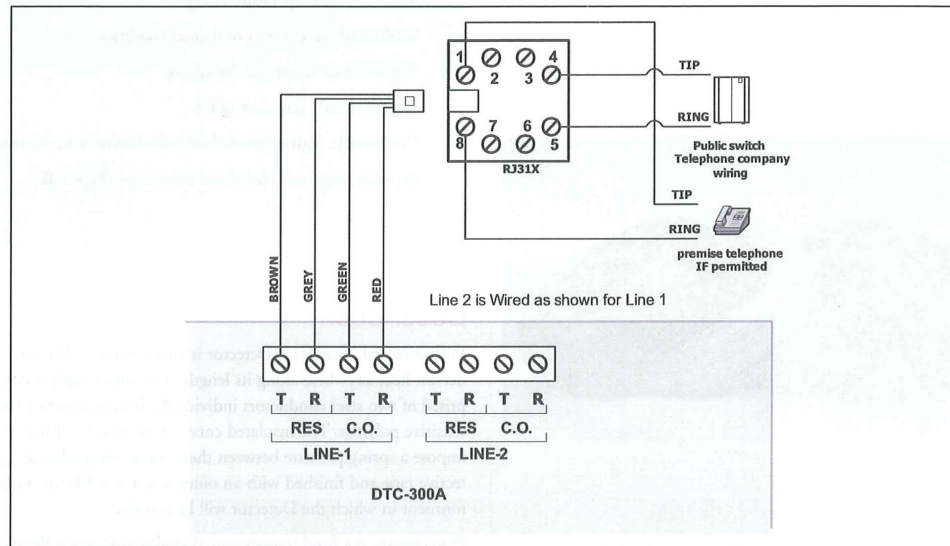
CFG-300 Configuration Tool

The CFG-300 Configuration Tool is required for onsite programming of the DTC-300A. The CFG-300 plugs into the DTC-300A to provide a two line by 20 character LCD display. The CFG-300 tool is used for configuration purposes only and not for normal operation.

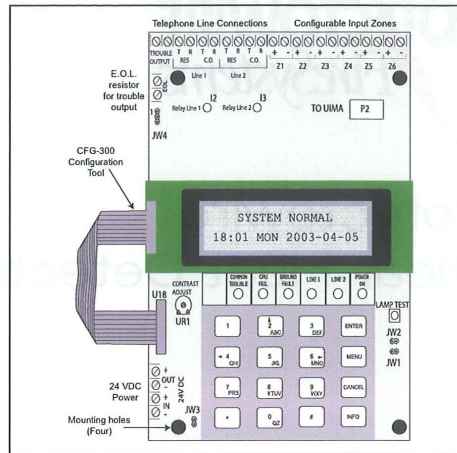
Current Consumption

Standby	60 mA
Alarm	110 mA

DTC-300A Wiring Diagram



DTC-300A Connection Diagram



Ordering Information

Model	Description
DTC-300A*	Standalone Digital Alarm Communicator Transmitter
CFG-300	Configuration Tool
UIMA	Universal Programming Tool

*add suffix "R" for red and "W" for white

NOT TO BE USED FOR INSTALLATION PURPOSES.



Canada
25 Interchange Way
Vaughan, Ontario L4K 5W3
Telephone: (905) 660-4655
Fax: (905) 660-4113

U.S.A.
60 Industrial Parkway
Cheektowaga, New York 14227
Toll Free: (888) 660-4655
Fax Toll Free: (888) 660-4113

Distributed by:

Web page: <http://www.mircom.com> Email: mail@mircom.com



CAT. 5316
Rev. 0