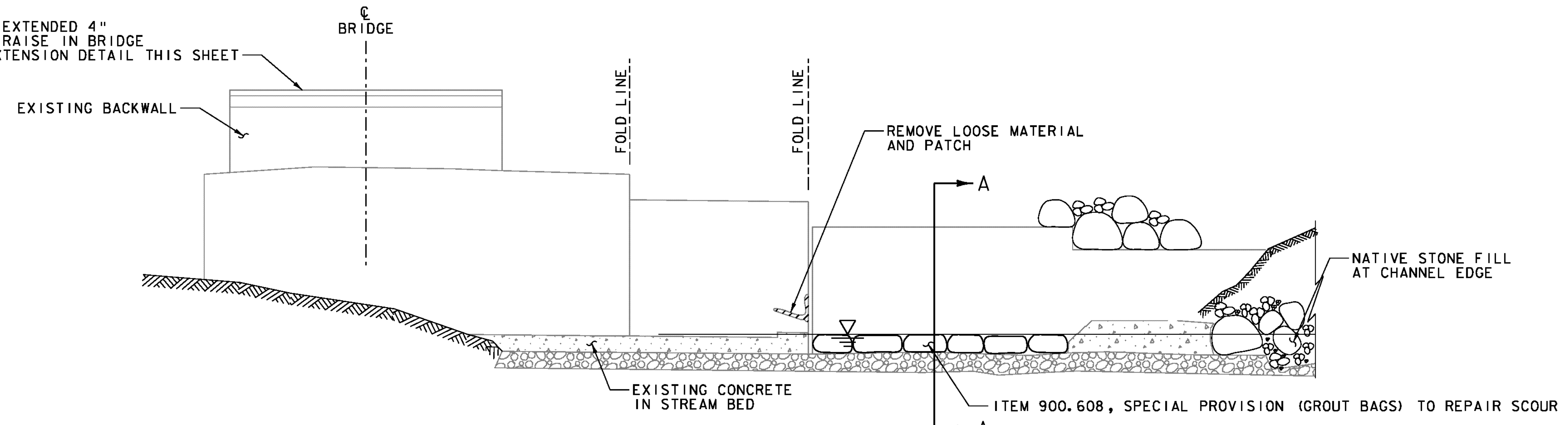


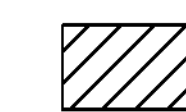
BACKWALL TO BE EXTENDED 4"  
TO ACCOMMODATE RAISE IN BRIDGE  
SEE BACKWALL EXTENSION DETAIL THIS SHEET



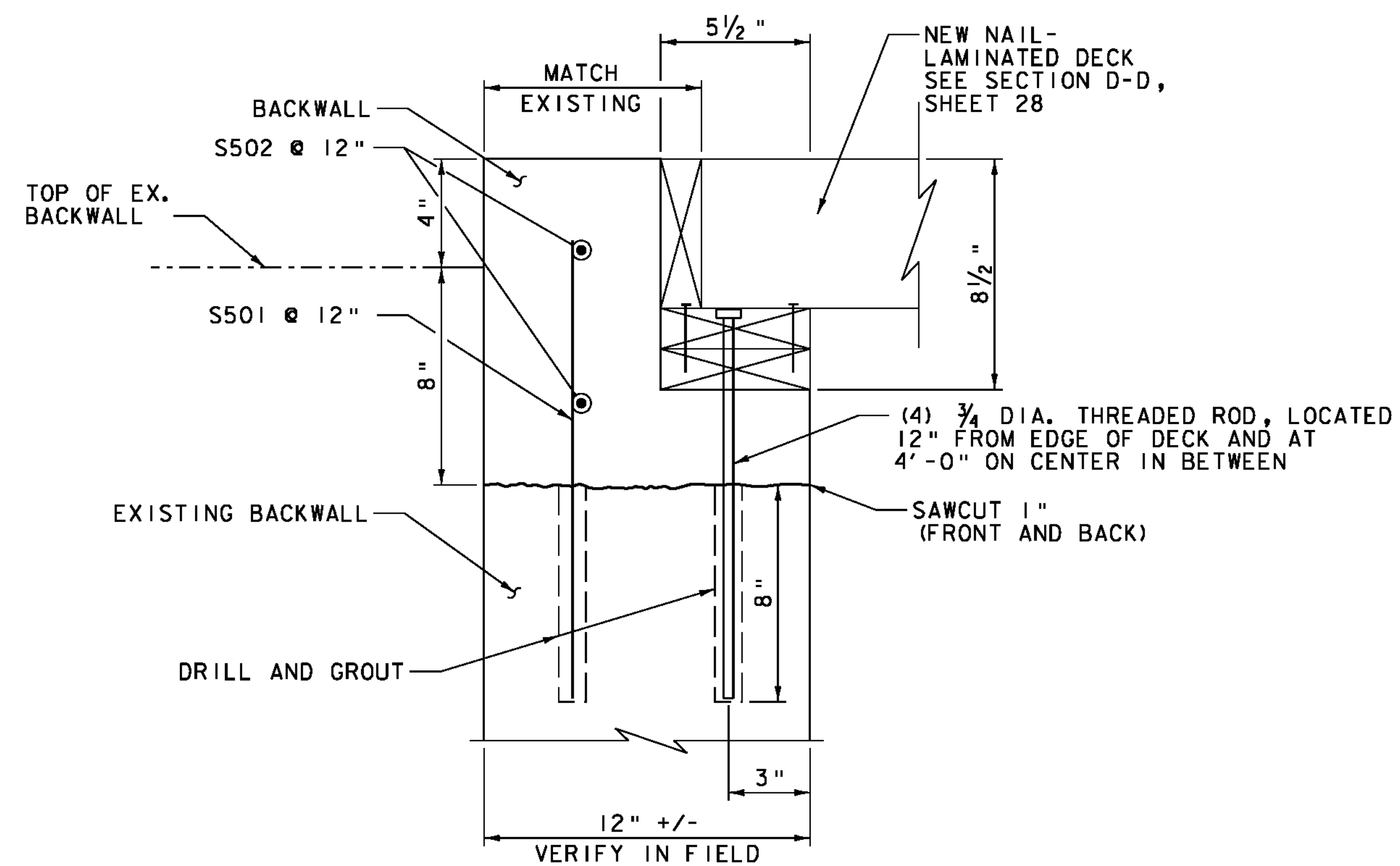
**NORTH ABUTMENT & WINGWALLS - DEVELOPED ELEVATION**

SCALE 1/4" = 1'-0"

**LEGEND**

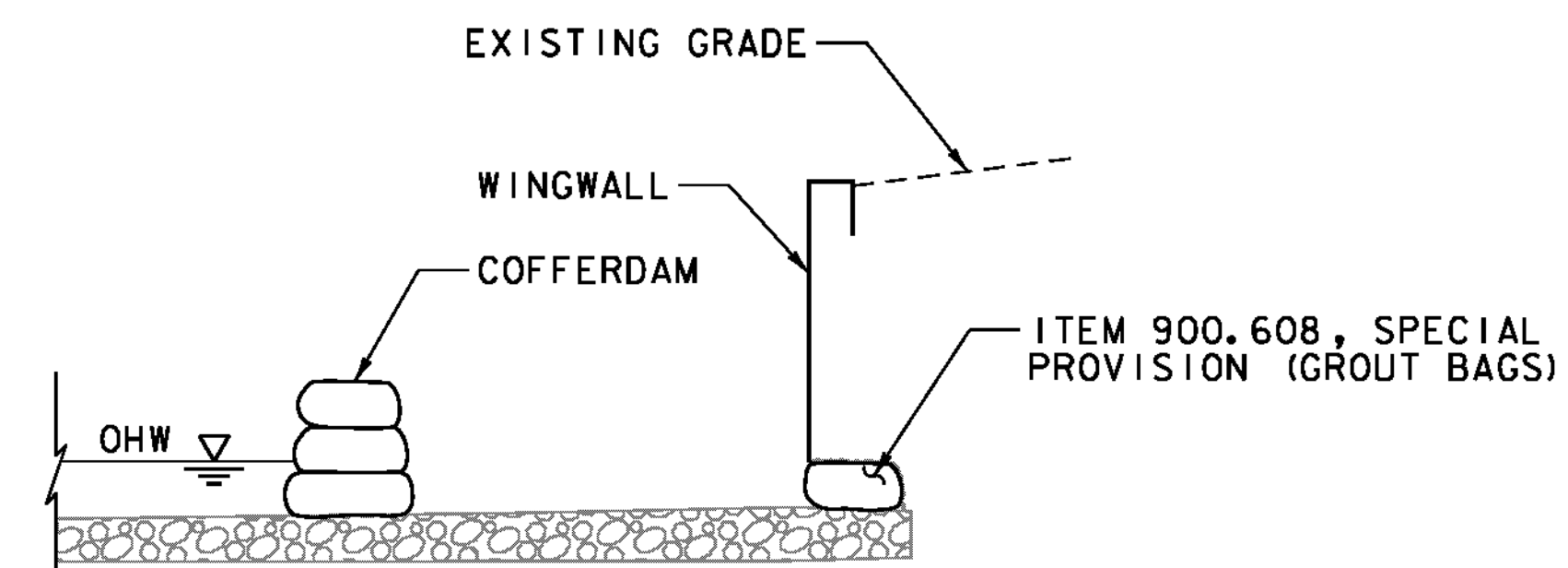


AREAS ANTICIPATED TO REQUIRE ITEM  
580.14, REPAIR OF CONCRETE  
SUBSTRUCTURE SURFACE, CLASS II



**BACKWALL EXTENSION**

SCALE 3" = 1'-0"



**SECTION A-A**

SCALE 1/4" = 1'-0"

**REINFORCING STEEL SCHEDULE**

ITEM	EACH	SIZE	LENGTH	MARK	TYPE
	32	5	1'-3"	S501	STR
	4	5	15'-6"	S502	STR

**NOTE:**

3" CLEAR, UNLESS OTHERWISE SPECIFIED ON THE PLANS.

PROJECT NAME: CHARLOTTE  
PROJECT NUMBER: BHO 1445(34)

FILE NAME: z06j088sub\_abut\_elev.dgn PLOT DATE: 10/4/2012  
PROJECT LEADER: M.A. COLGAN DRAWN BY: J.W. GOLEK  
DESIGNED BY: K.E. HILL CHECKED BY: B.O. CRONIN  
ABUTMENT REPAIR SHEET (1 OF 2) SHEET 46 OF 55

