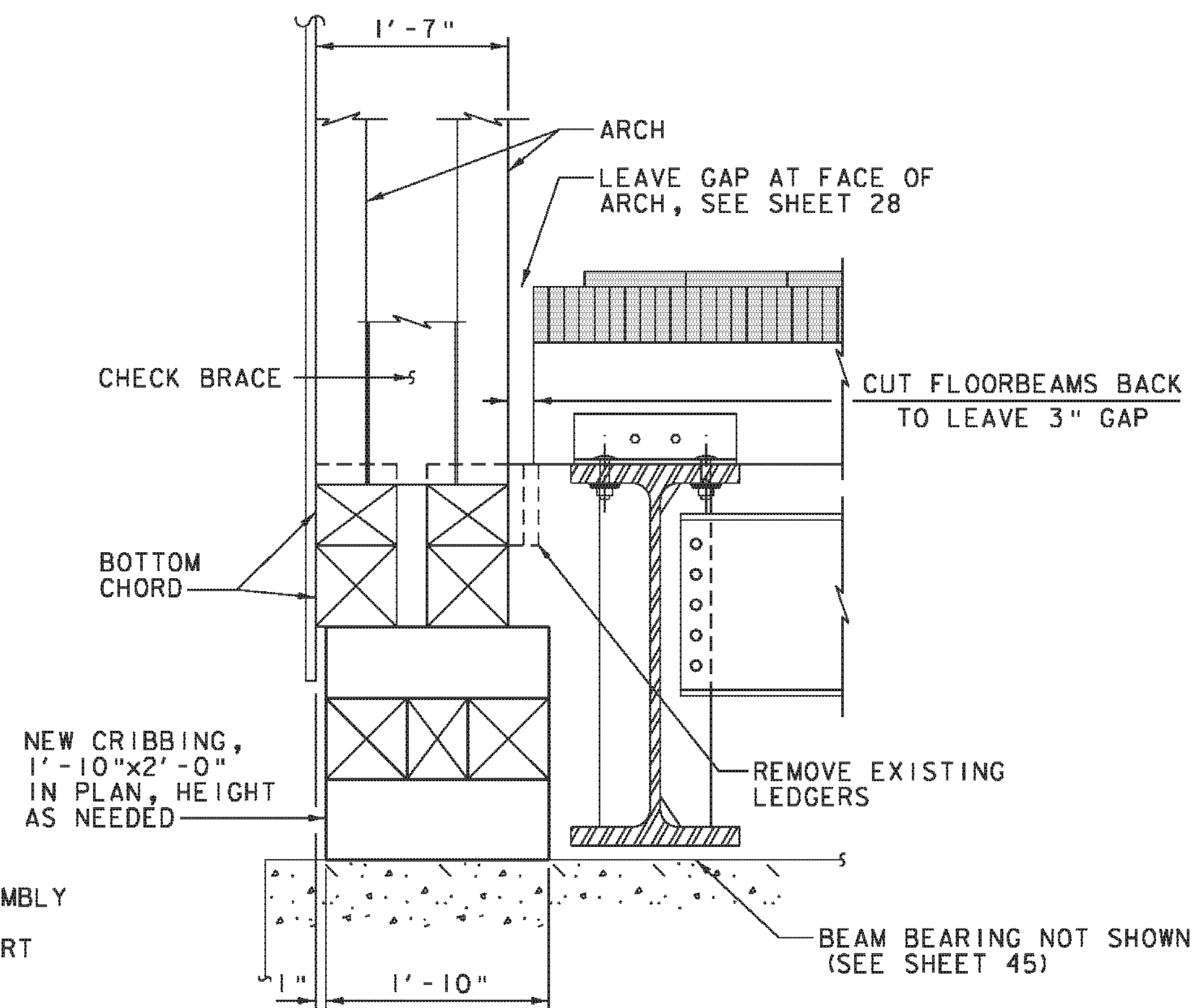


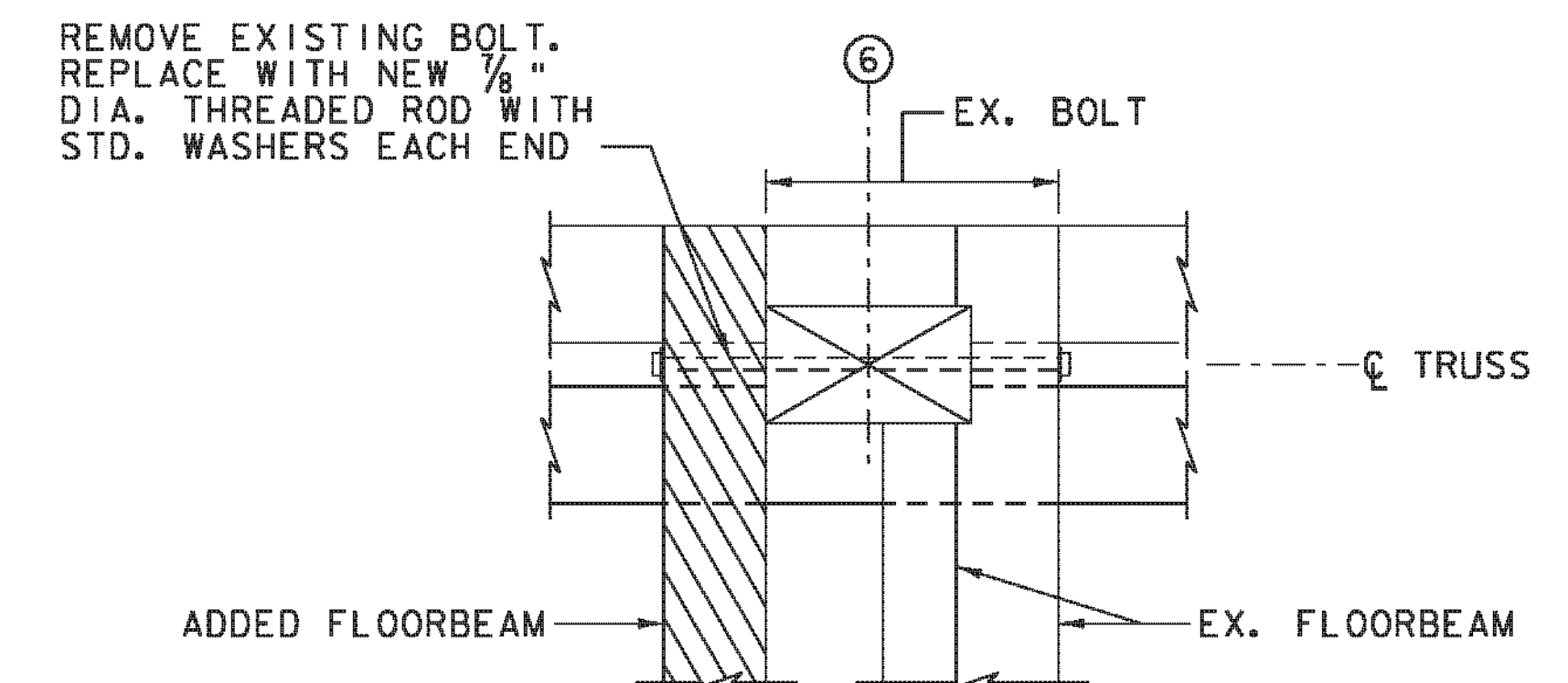
DETAIL 200 - SECTION AT INTERMEDIATE FLOORBEAMS

(REF: F01 AND F02)
SCALE: 1" = 1'-0"



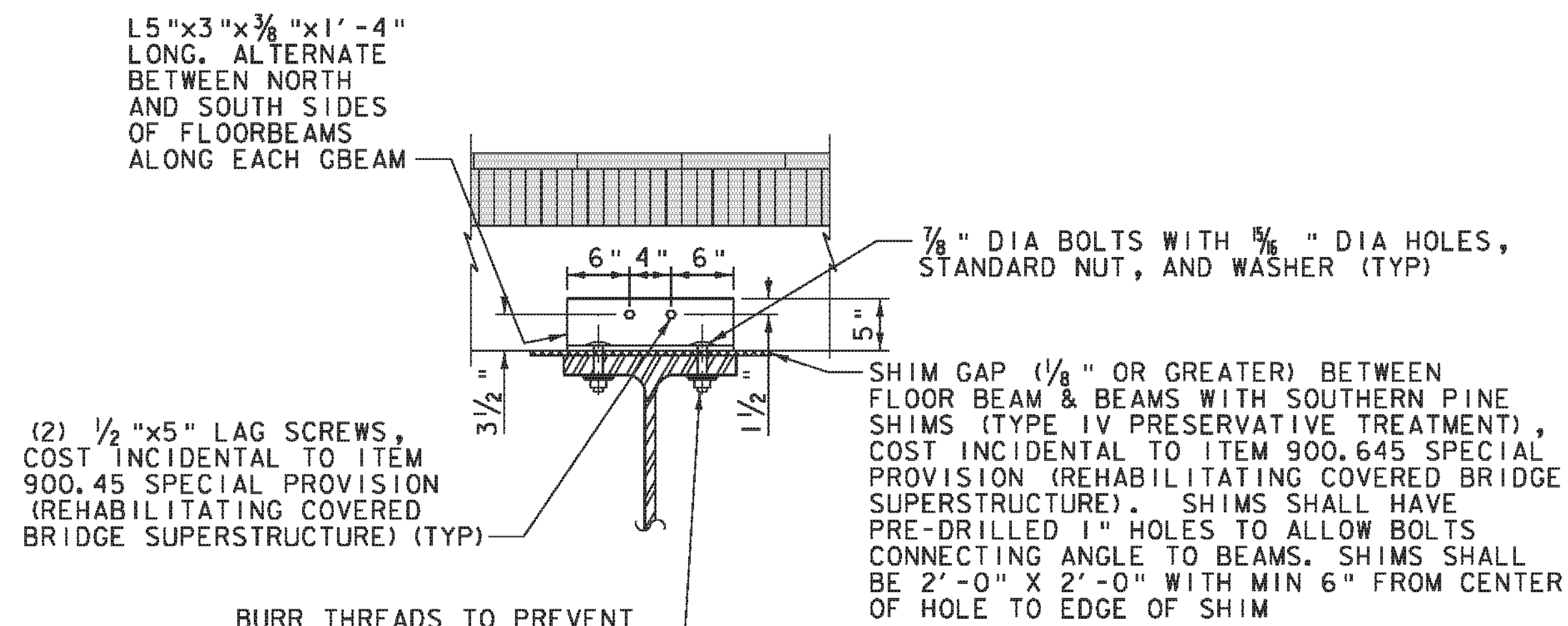
DETAIL 202 - SECTION AT TRUSS BEARINGS

(REF: F03)
SCALE: 1" = 1'-0"



DETAIL 204 FLOORBEAM TO POST CONNECTION

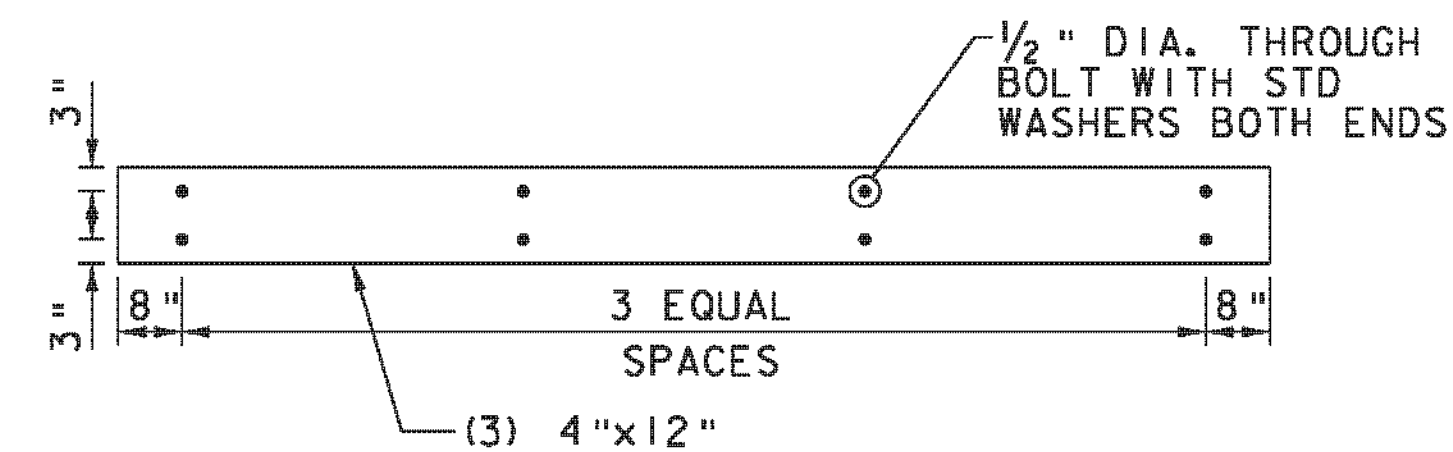
(REF: F05)
SCALE: 1" = 1'-0"



DETAIL 203 FLOORBEAM TO BEAM CONNECTION

(REF: F04)
SCALE: 1" = 1'-0"

1. ALL HOLES FOR ANGLE CONNECTIONS TO FLOORBEAMS AND BEAMS SHALL BE FIELD DRILLED. BEAM AND ANGLE GALVANIZING SHALL BE REPAIRED AS PER SUBSECTION 726.08.
2. THERE ARE FOUR BEAMS AND 18 FLOORBEAMS FOR A TOTAL OF 72 CONNECTIONS. CONNECTIONS SHALL BE ALTERNATED BETWEEN SIDES OF FLOORBEAMS FOR A NET RESULT OF APPROXIMATELY 50% DISTRIBUTION BETWEEN NORTH AND SOUTH FACES.



DETAIL 205 - BOLTS FOR TRIPLE PLY FLOORBEAM (ELEVATION)

SCALE: 1/2" = 1'-0"

LEGEND FOR DETAILS

- PREDETERMINED MEMBERS TO BE REPLACED (SIZE TO MATCH EXISTING, UNLESS OTHERWISE NOTED)
- PREDETERMINED PORTION OF EXISTING MEMBER TO BE REPLACED (MATCH SIZE OF EXISTING)
- ADDED MEMBER

PROJECT NAME: CHARLOTTE
PROJECT NUMBER: BHO 1445(34)

FILE NAME: z06j088details bridge.dgn PLOT DATE: 10/4/2012
PROJECT LEADER: M.A. COLGAN DRAWN BY: K.D. WENTWORTH
DESIGNED BY: K.E. HILL CHECKED BY: M.A. COLGAN
BRIDGE DETAILS (8 OF 8) SHEET 44 OF 55