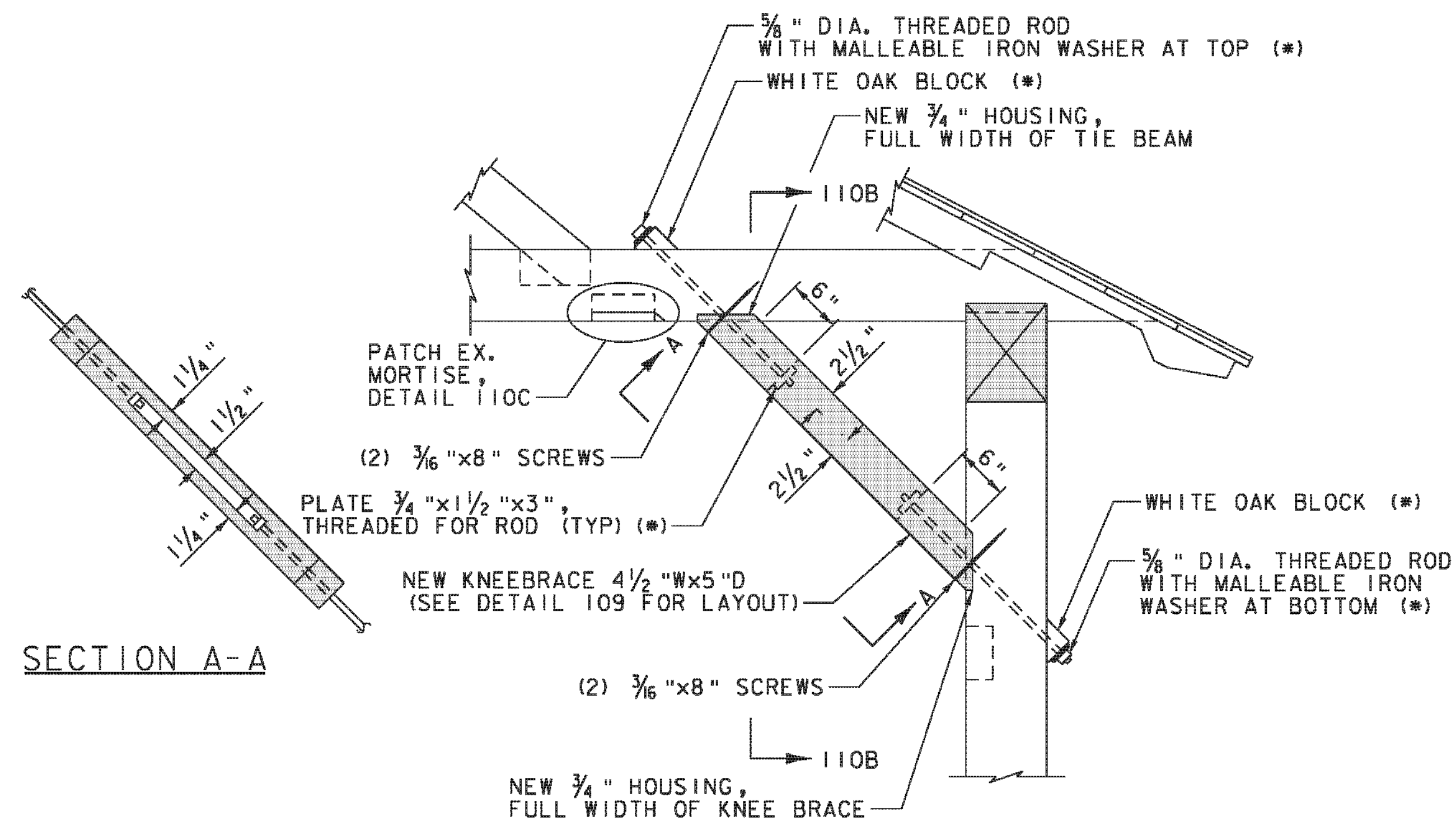


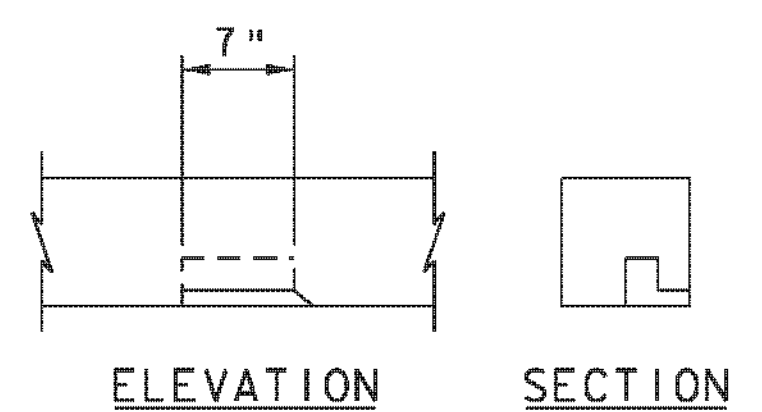
DETAIL 109
KNEE BRACE GEOMETRY COMPARISON
 SCALE: 1" = 1'-0"



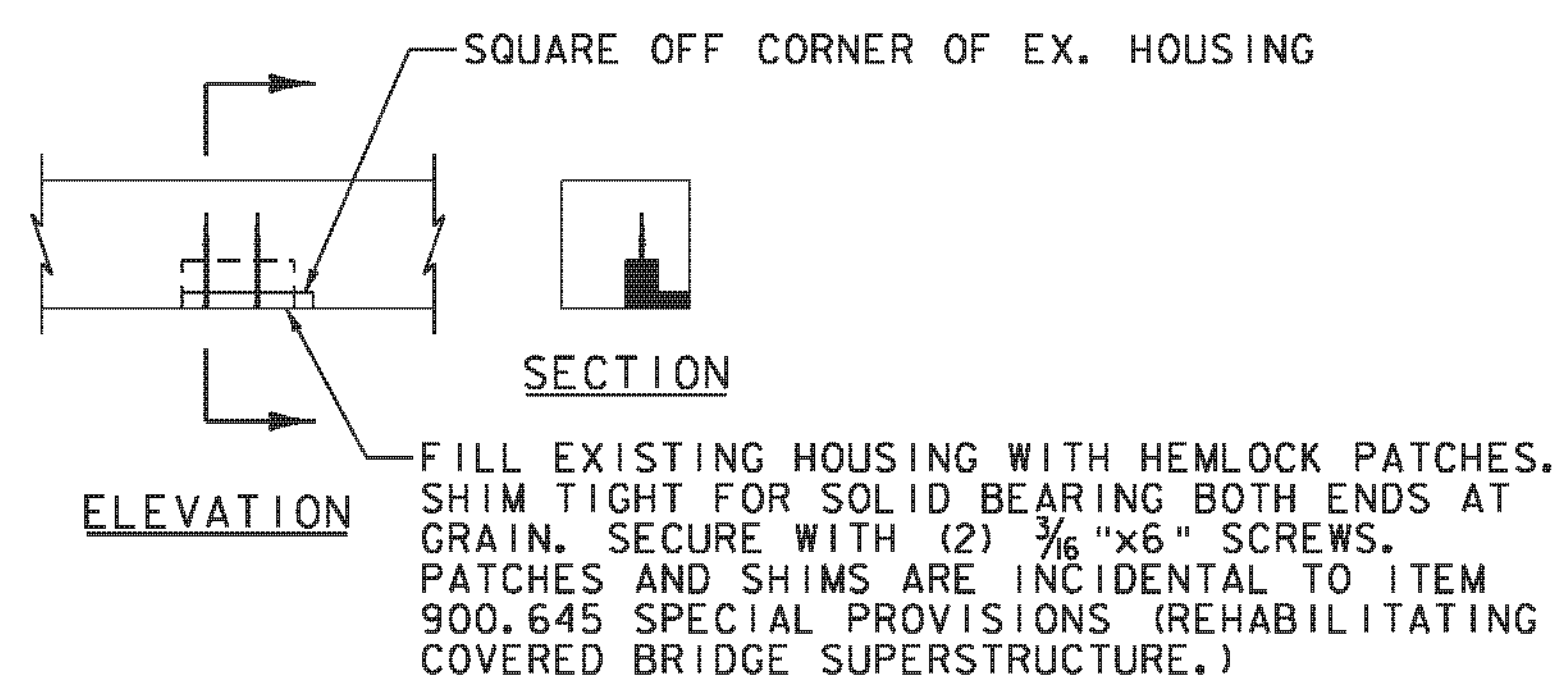
DETAIL 110
NEW KNEE BRACE
 SCALE: 1" = 1'-0"

NOTES:

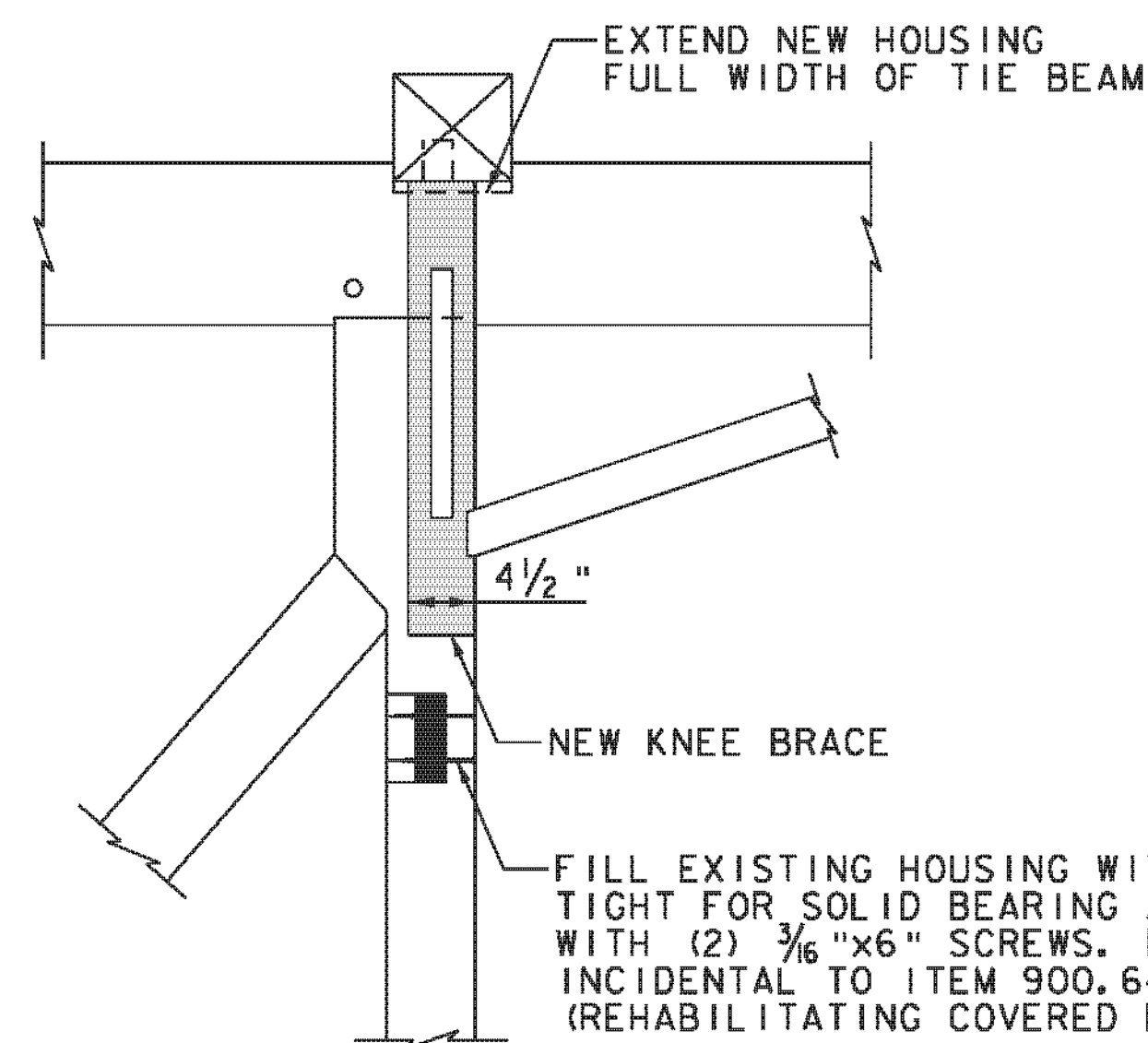
- DESIGN INTENT IS FOR NEW KNEE BRACE TO BREAK UPON IMPACT TO MINIMIZE DAMAGE TO EXISTING TIE BEAM AND POST.
- SUPPLY (14) EXTRA KNEE BRACES 3'-10" LONG (SLOTTED AND DRILLED, BUT WITHOUT END CUTS). SUPPLY (4) EXTRA THREADED ROD ASSEMBLIES (ONE ROD + PLATE + WASHER + NUT).
- * = INCIDENTAL TO ITEM 522.20, STRUCTURAL LUMBER AND TIMBER, UNTREATED.



EXISTING CONDITION



PROPOSED
DETAIL 110C
MORTISE PATCH
 SCALE: 1" = 1'-0"



DETAIL 110B
NEW KNEE BRACE
 SCALE: 1" = 1'-0"

LEGEND FOR DETAILS

- PREDETERMINED MEMBERS TO BE REPLACED (SIZE TO MATCH EXISTING, UNLESS OTHERWISE NOTED)
- PREDETERMINED PORTION OF EXISTING MEMBER TO BE REPLACED (MATCH SIZE OF EXISTING)
- ADDED MEMBER
- EXISTING HOUSING TO BE PATCHED

PROJECT NAME: CHARLOTTE
 PROJECT NUMBER: BHO 1445(34)

FILE NAME: z06j088details bridge.dgn
 PROJECT LEADER: M.A. COLGAN
 DESIGNED BY: K.E. HILL
 BRIDGE DETAILS (7 OF 8)

PLOT DATE: 10/4/2012
 DRAWN BY: K.D. WENTWORTH
 CHECKED BY: M.A. COLGAN
 SHEET 43 OF 55