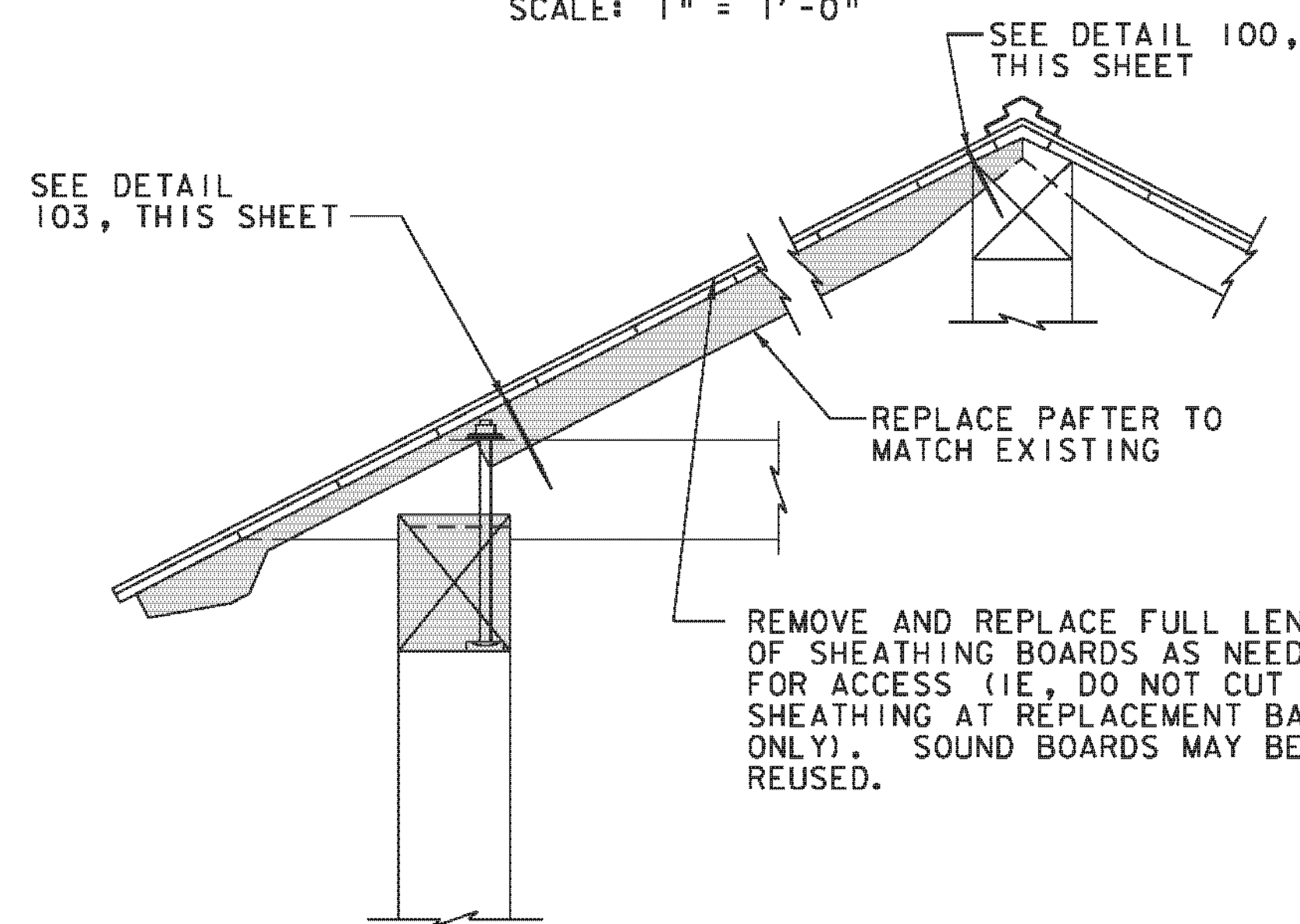


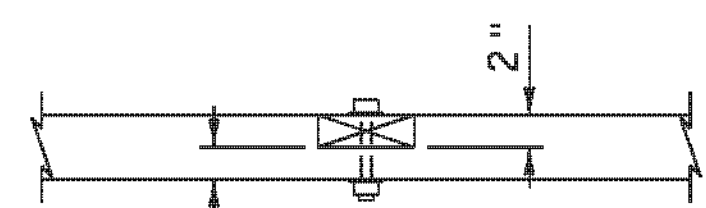
DETAIL 100
RAFTER TO RIDGE BEAM CONNECTION

(REF: R02)
 SCALE: 1" = 1'-0"

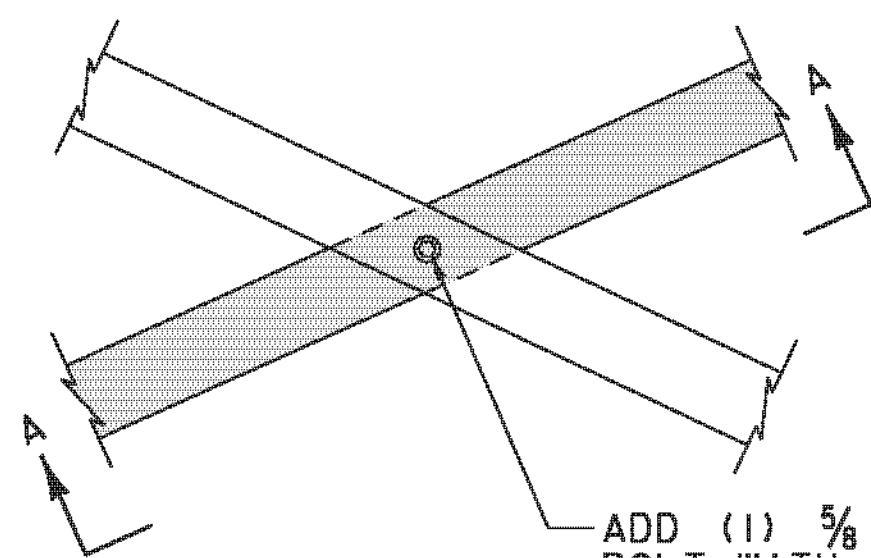


DETAIL 101
REPLACEMENT RAFTER

(REF: R03)
 SCALE: 1" = 1'-0"



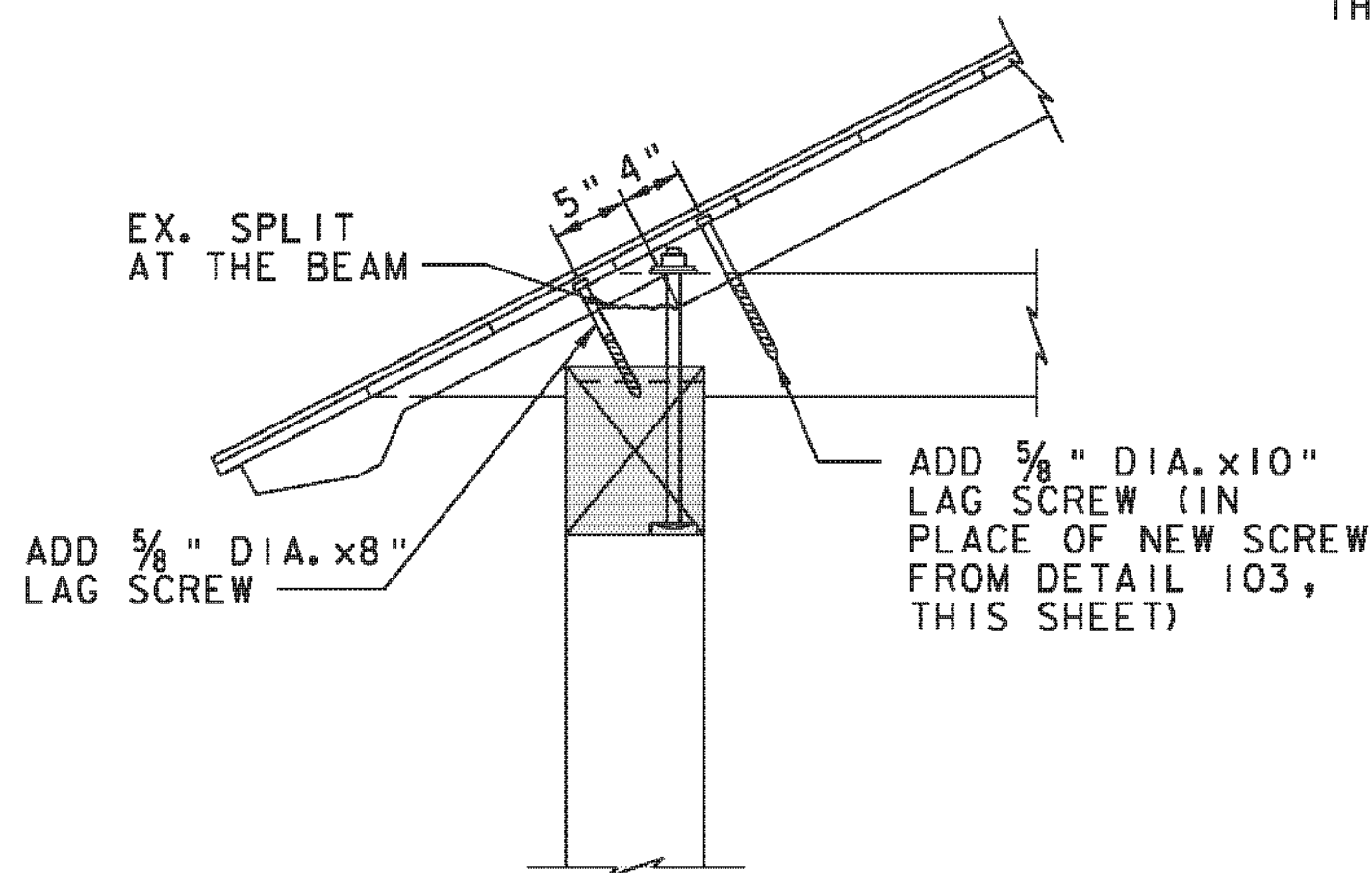
SECTION A-A



PLAN VIEW

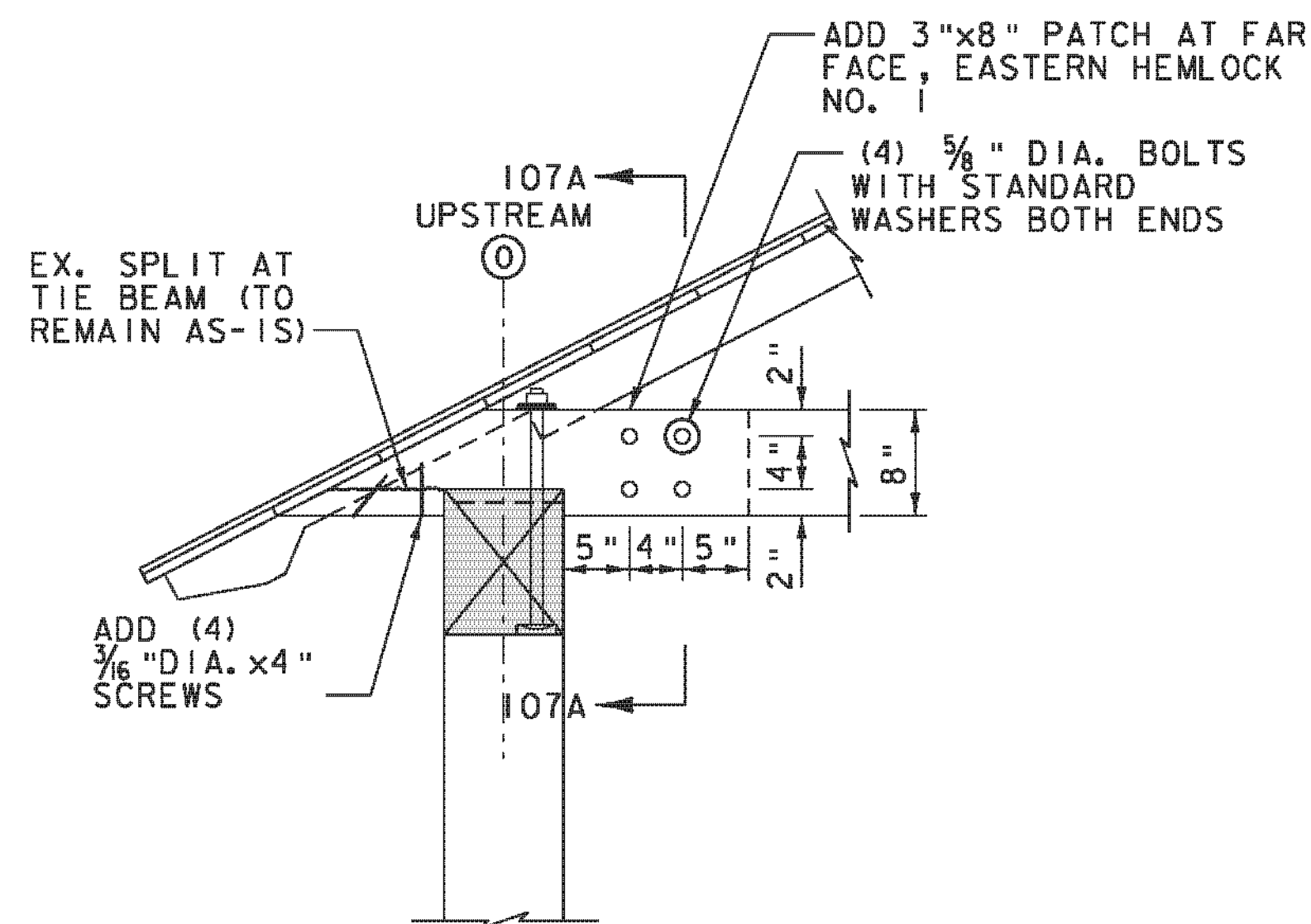
DETAIL 105
INTERSECTION OF UPPER LATERAL BRACES

(REF: U01)
 SCALE: 1" = 1'-0"



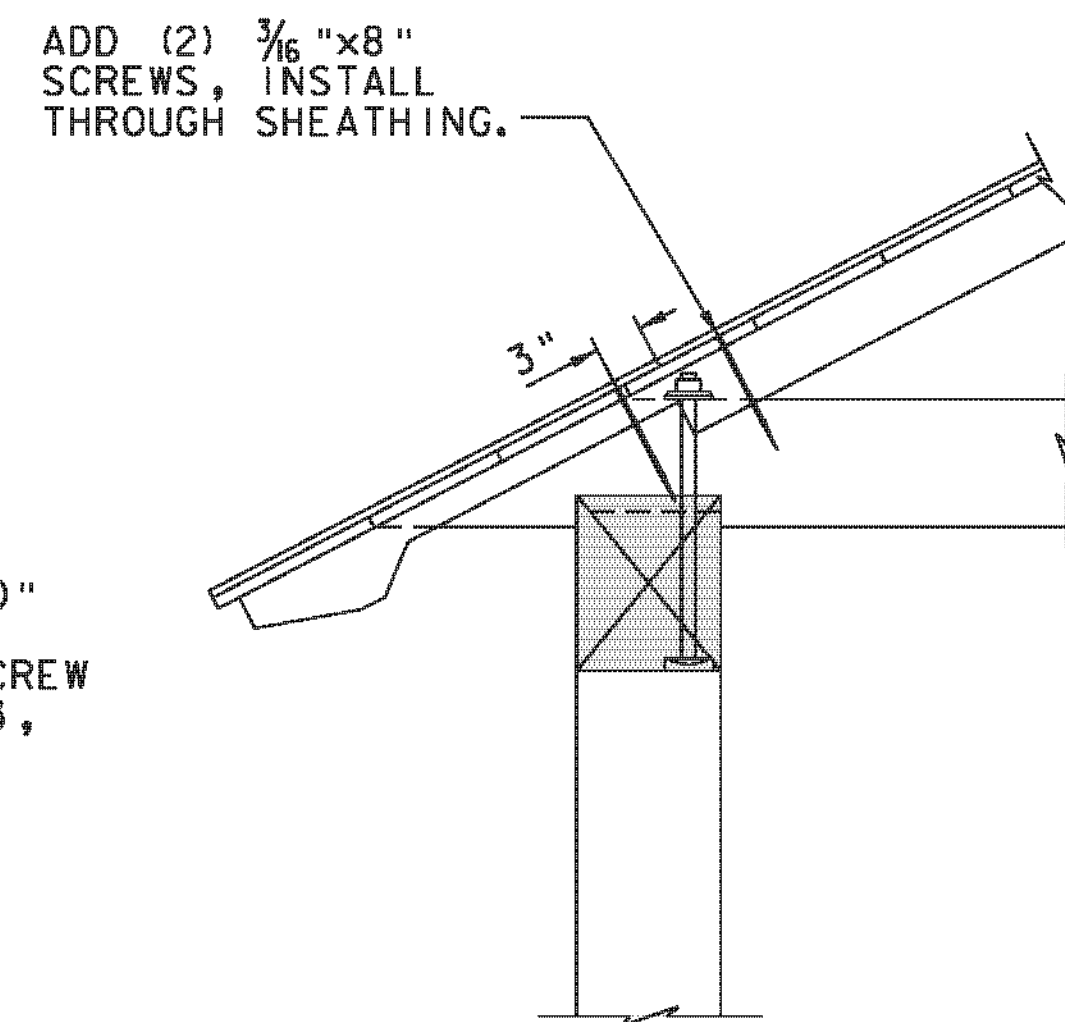
DETAIL 102
REPAIR OF RAFTER SEAT

(REF: R04)
 SCALE: 1" = 1'-0"



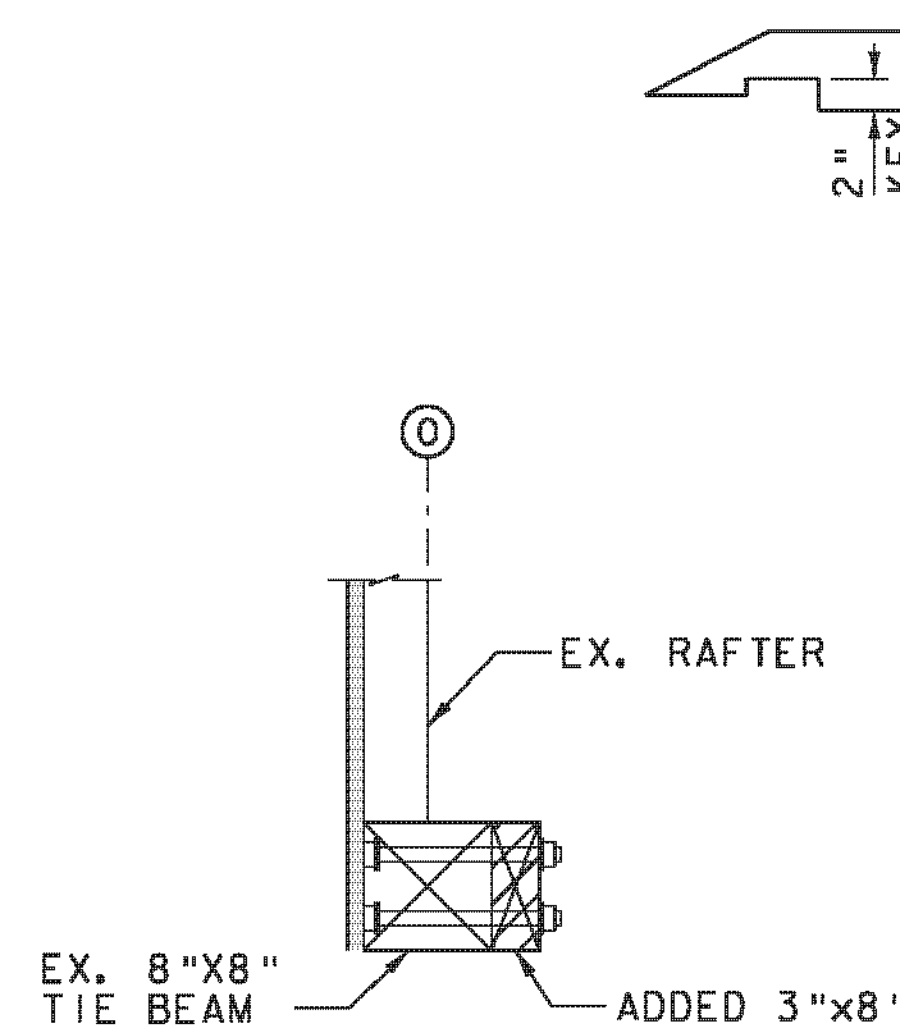
DETAIL 107
TIE BEAM REPAIR

(REF: U05)
 SCALE: 1" = 1'-0"



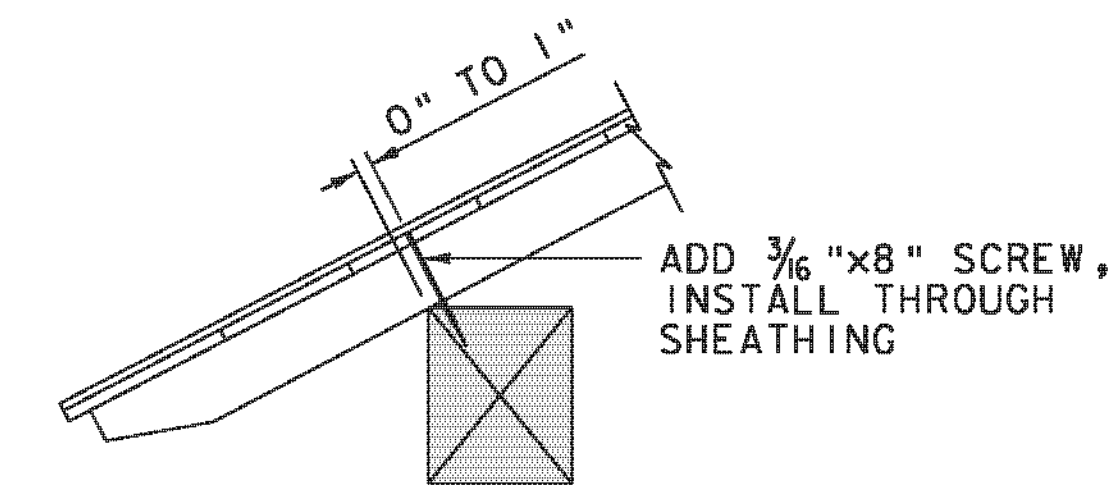
DETAIL 103
RAFTER TO TIE BEAM CONNECTION

(REF: R05)
 SCALE: 1" = 1'-0"



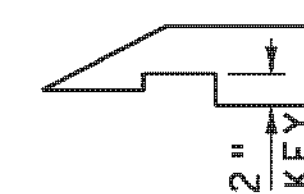
DETAIL 107A

(REF: U05)
 SCALE: 1" = 1'-0"

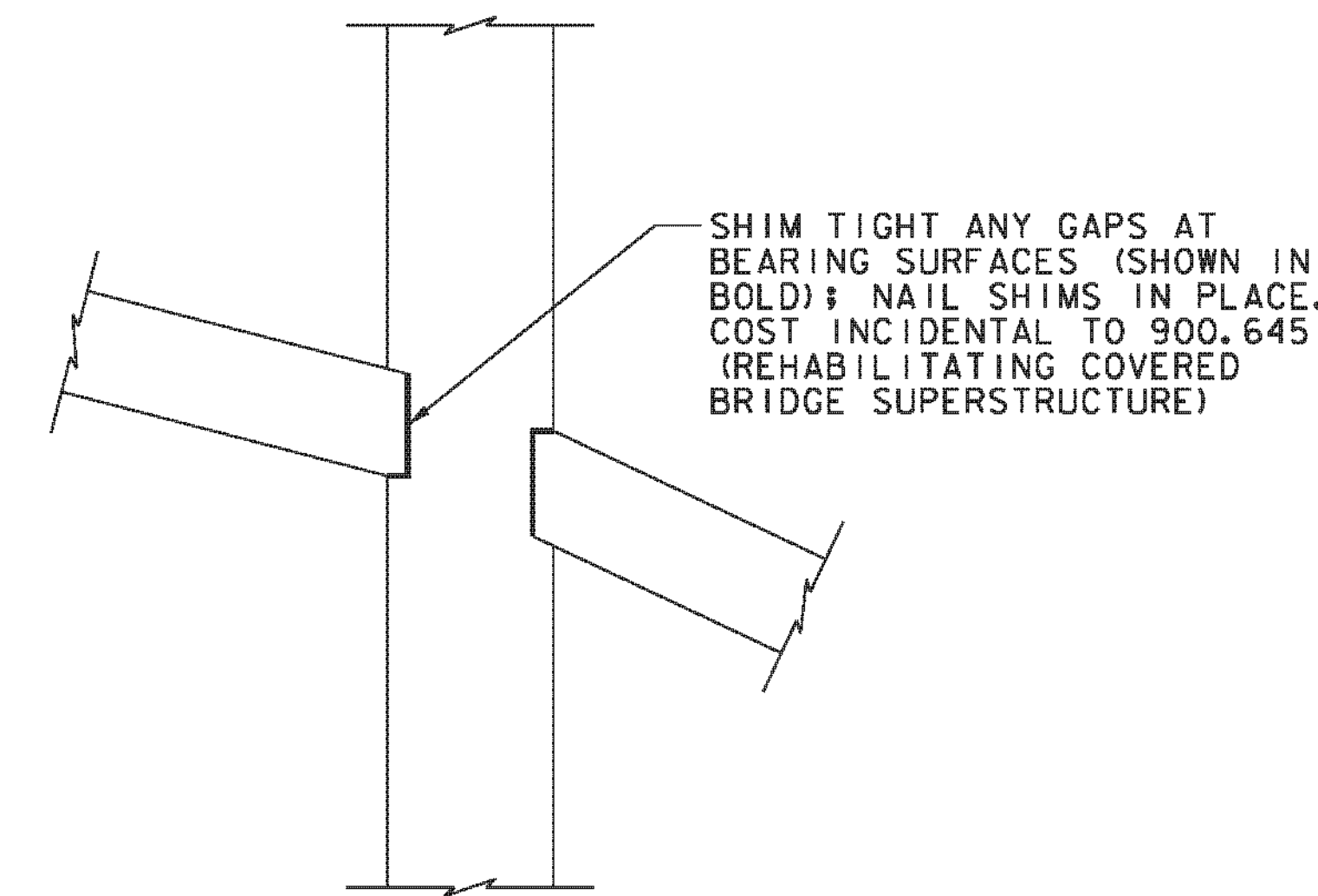


DETAIL 104
RAFTER TO TOP CHORD CONNECTION

(REF: R06)
 SCALE: 1" = 1'-0"



2" KEY



DETAIL 108
UPPER LATERAL REPAIR

(REF: U06)
 SCALE: 1/2" = 1'-0"

LEGEND FOR DETAILS

- PREDETERMINED MEMBERS TO BE REPLACED (SIZE TO MATCH EXISTING, UNLESS OTHERWISE NOTED)
- PREDETERMINED PORTION OF EXISTING MEMBER TO BE REPLACED (MATCH SIZE OF EXISTING)
- ADDED MEMBER

PROJECT NAME: CHARLOTTE
 PROJECT NUMBER: BHO 1445(34)

FILE NAME: z06j088details bridge.dgn
 PROJECT LEADER: M.A. COLGAN
 DESIGNED BY: K.E. HILL
 BRIDGE DETAILS (6 OF 8)

PLOT DATE: 10/4/2012
 DRAWN BY: K.D. WENTWORTH
 CHECKED BY: M.A. COLGAN
 SHEET 42 OF 55