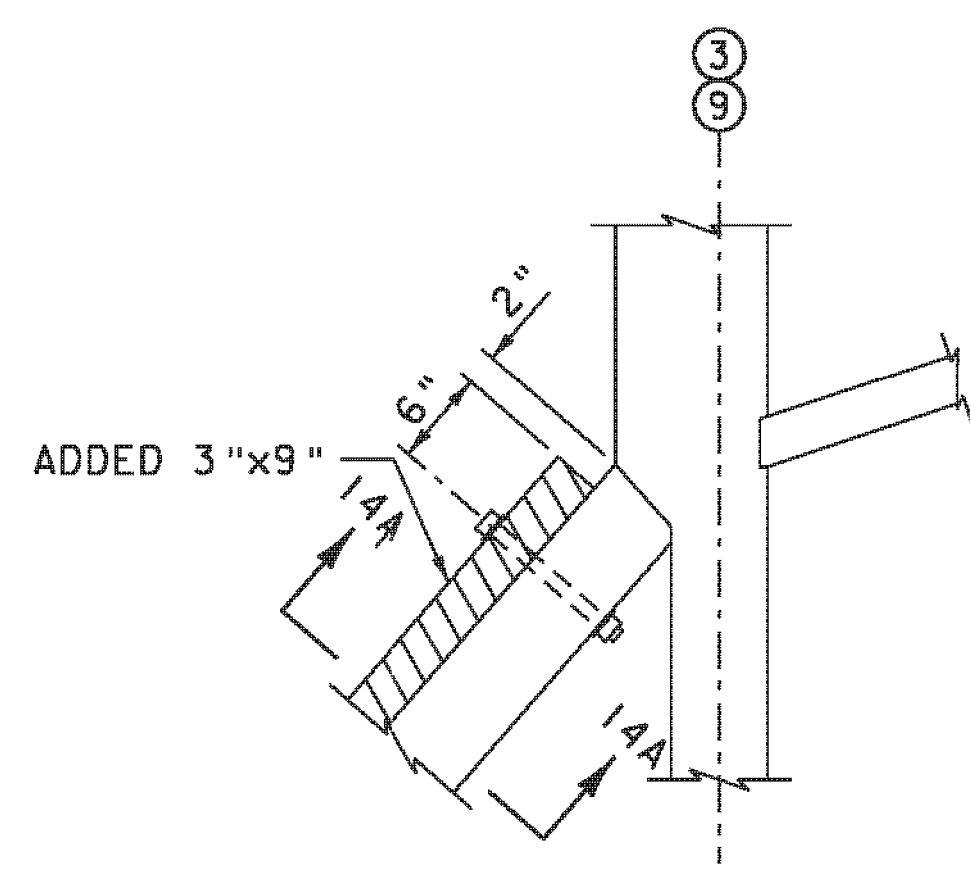
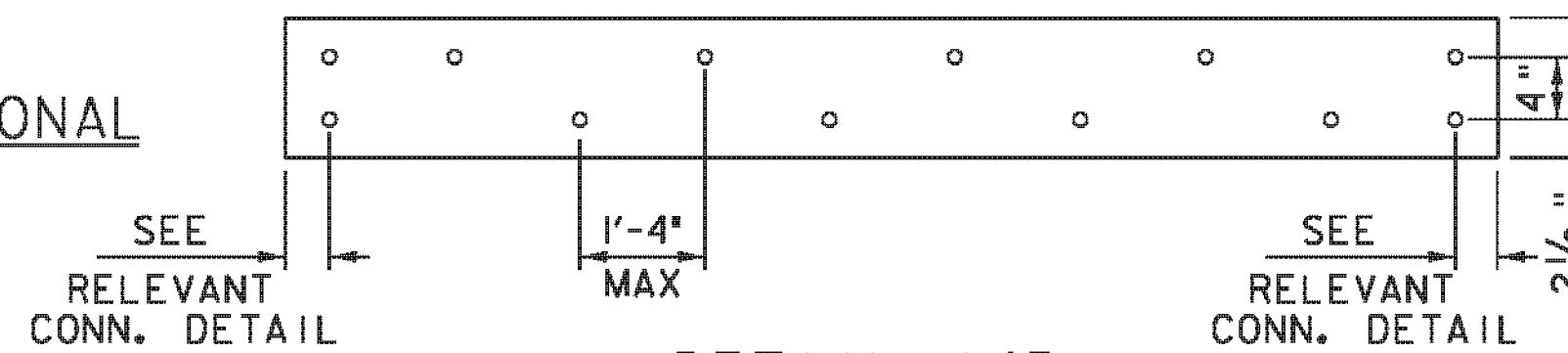
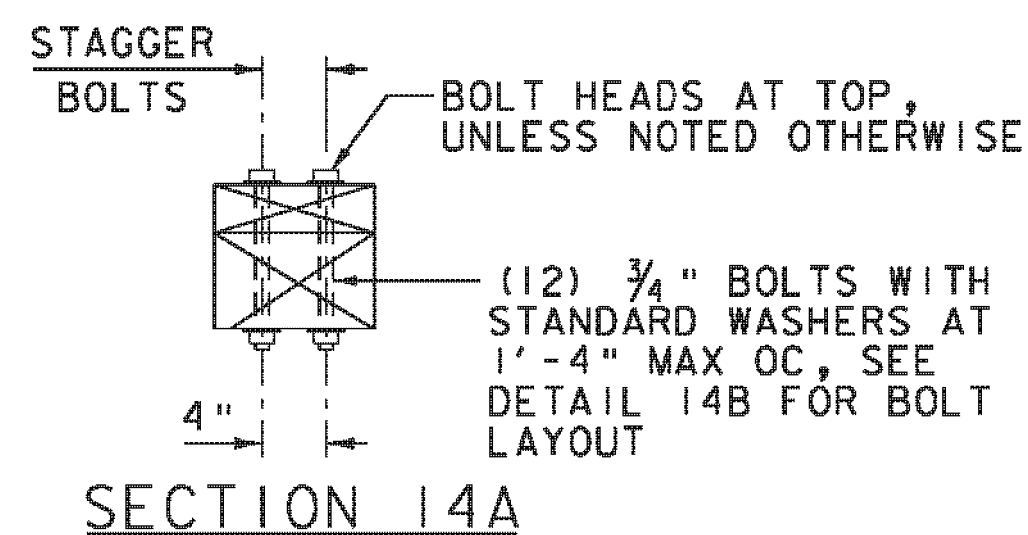


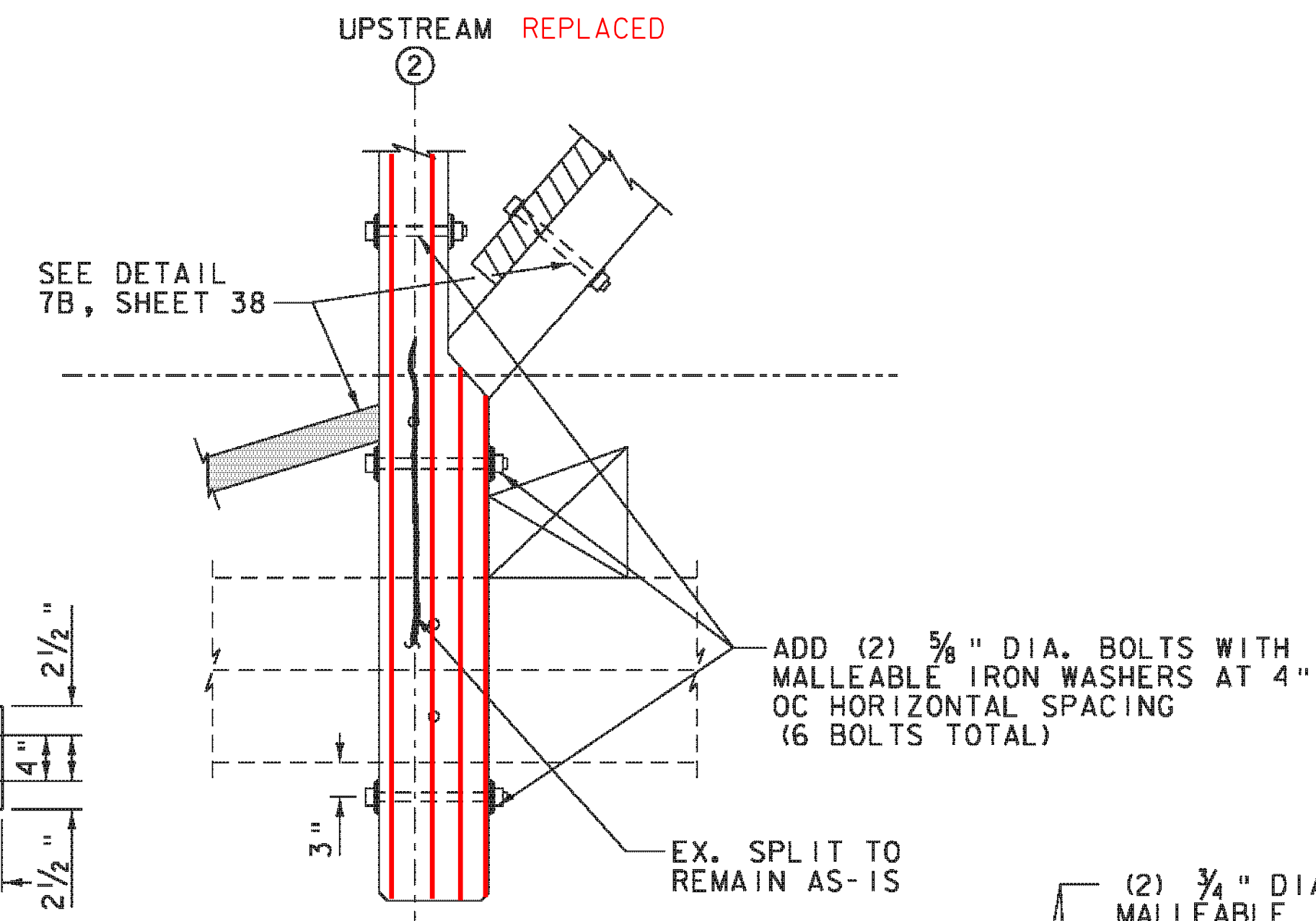
DETAIL 13
DIAGONAL REPAIRS
(REF: T51)
SCALE: 1" = 1'-0"



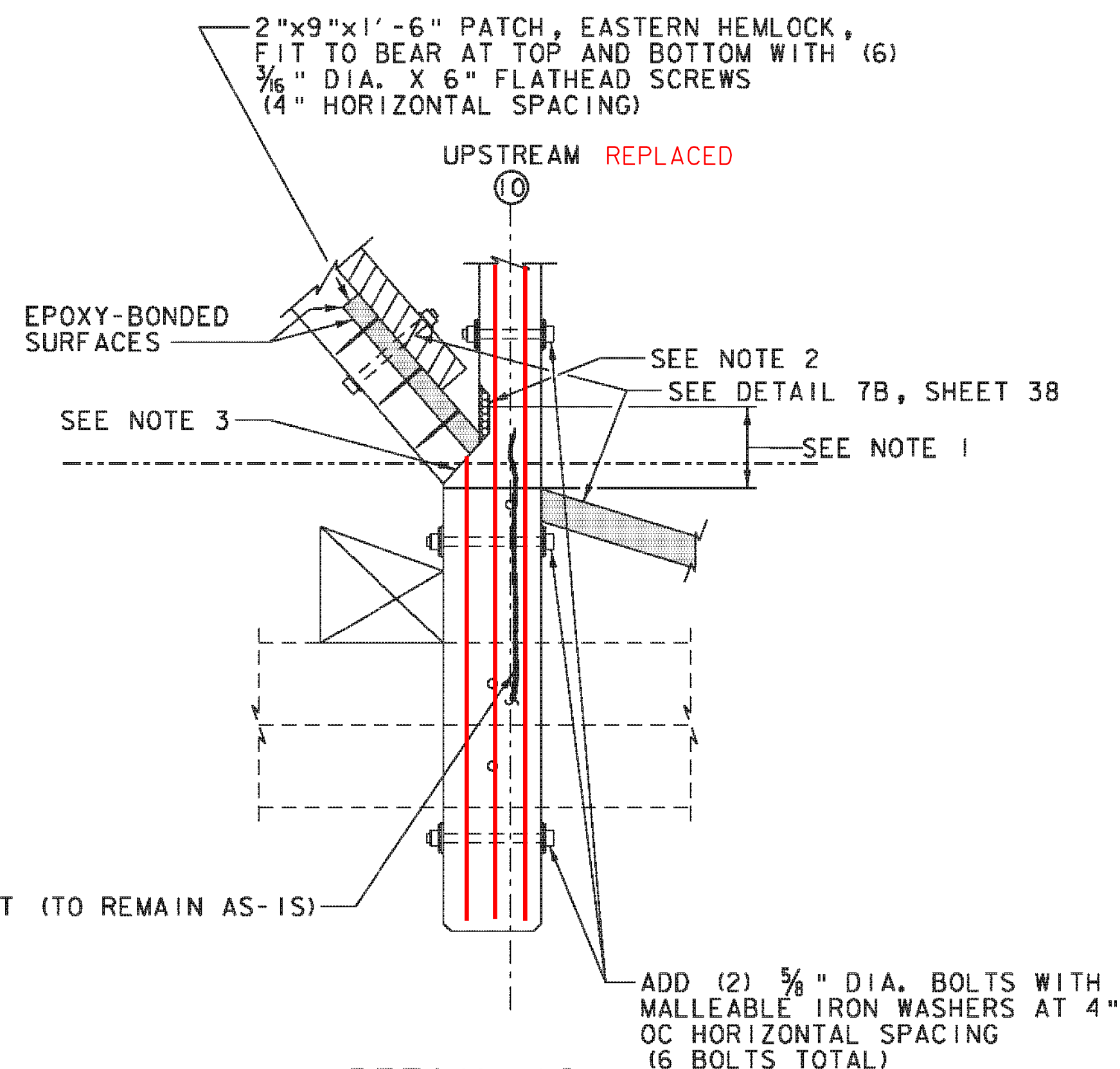
DETAIL 14
SISTERING OF DIAGONAL
(REF: T52)
SCALE: 1" = 1'-0"



DETAIL 14B
BOLT LAYOUT AT SISTERING
SCALE: 1" = 1'-0"



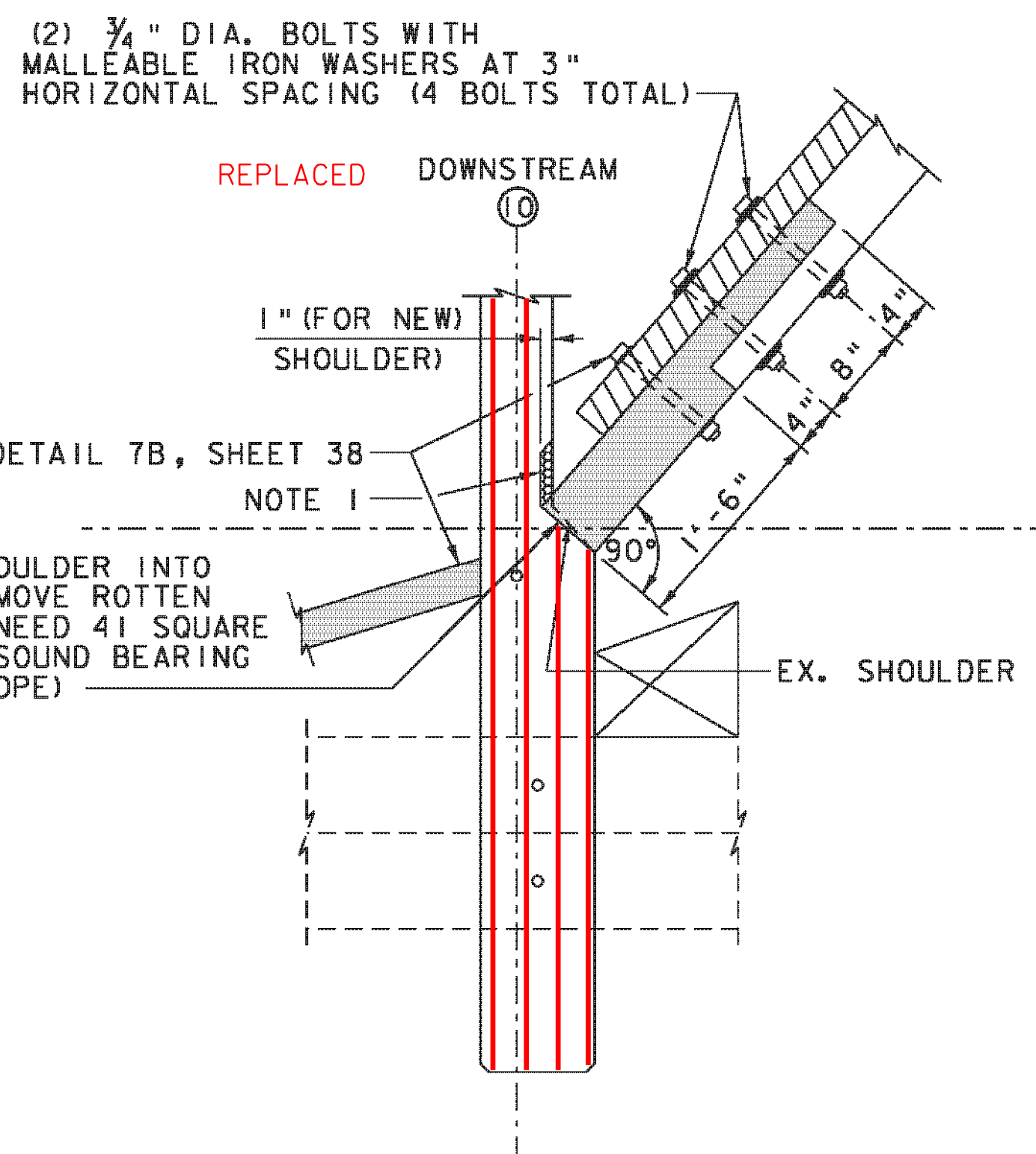
DETAIL 15
POST AND DIAGONAL REPAIRS
(ARCH NOT SHOWN FOR CLARITY)
(REF: T53)
SCALE: 1" = 1'-0"



DETAIL 16
POST AND DIAGONAL REPAIRS
(ARCH NOT SHOWN FOR CLARITY)
(REF: T54)
SCALE: 1" = 1'-0"

NOTES:

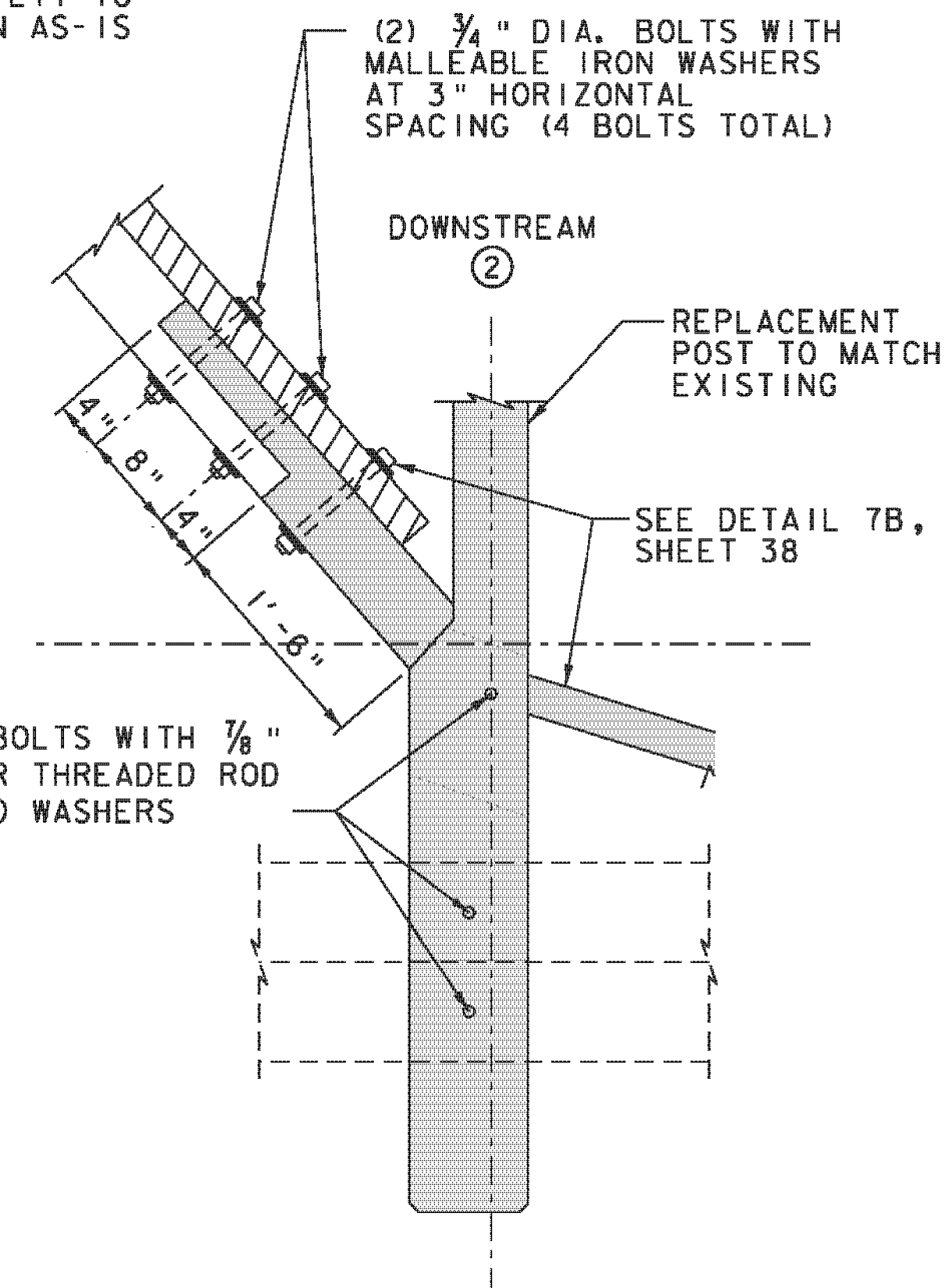
1. REMOVE PUNKY MATERIAL FROM NEAR FACE OF POST (DO NOT REMOVE MORE THAN 3/4" DEPTH FROM FACE WITHOUT PRIOR APPROVAL OF RESIDENT ENGINEER). SAND SMOOTH, WITH CURVED TRANSITIONS TO UNDISTURBED SURFACES.
2. REMOVE ROTTEN AND PUNKY MATERIAL FROM LEFT FACE OF POST (DO NOT REMOVE MORE THAN 3/4" DEPTH FROM FACE WITHOUT PRIOR APPROVAL OF RESIDENT ENGINEER). SAND SMOOTH, WITH CURVED TRANSITIONS TO UNDISTURBED SURFACES.
3. RESIDENT ENGINEER TO VERIFY MINIMUM OF 41 SQUARE INCHES OF SOUND BEARING REMAINING BETWEEN PATCHED DIAGONAL AND SLOPED SHOULDER.



DETAIL 17
POST AND DIAGONAL REPAIRS
(ARCH NOT SHOWN FOR CLARITY)
(REF: T55)
SCALE: 1" = 1'-0"

NOTE:

1. REMOVE ROTTEN AND PUNKY MATERIAL FROM RIGHT FACE OF POST (DO NOT REMOVE MORE THAN 1" DEPTH FROM FACE WITHOUT PRIOR APPROVAL OF RESIDENT ENGINEER). SAND SMOOTH, WITH CURVED TRANSITIONS TO UNDISTURBED SURFACES.



DETAIL 18
POST AND DIAGONAL REPAIRS
(ARCH NOT SHOWN FOR CLARITY)
(REF: T56)
SCALE: 1" = 1'-0"

LEGEND FOR DETAILS

- PREDETERMINED MEMBERS TO BE REPLACED (SIZE TO MATCH EXISTING, UNLESS OTHERWISE NOTED)
- PREDETERMINED PORTION OF EXISTING MEMBER TO BE REPLACED (MATCH SIZE OF EXISTING)
- ADDED MEMBER
- UNSOUND MATERIAL TO BE REMOVED

PROJECT NAME: CHARLOTTE
PROJECT NUMBER: BHO 1445(34)

FILE NAME: z06j088details bridge.dgn
PROJECT LEADER: M.A. COLGAN
DESIGNED BY: K.E. HILL
BRIDGE DETAILS (4 OF 8)

PLOT DATE: 10/4/2012
DRAWN BY: K.D. WENTWORTH
CHECKED BY: M.A. COLGAN
SHEET 40 OF 55

