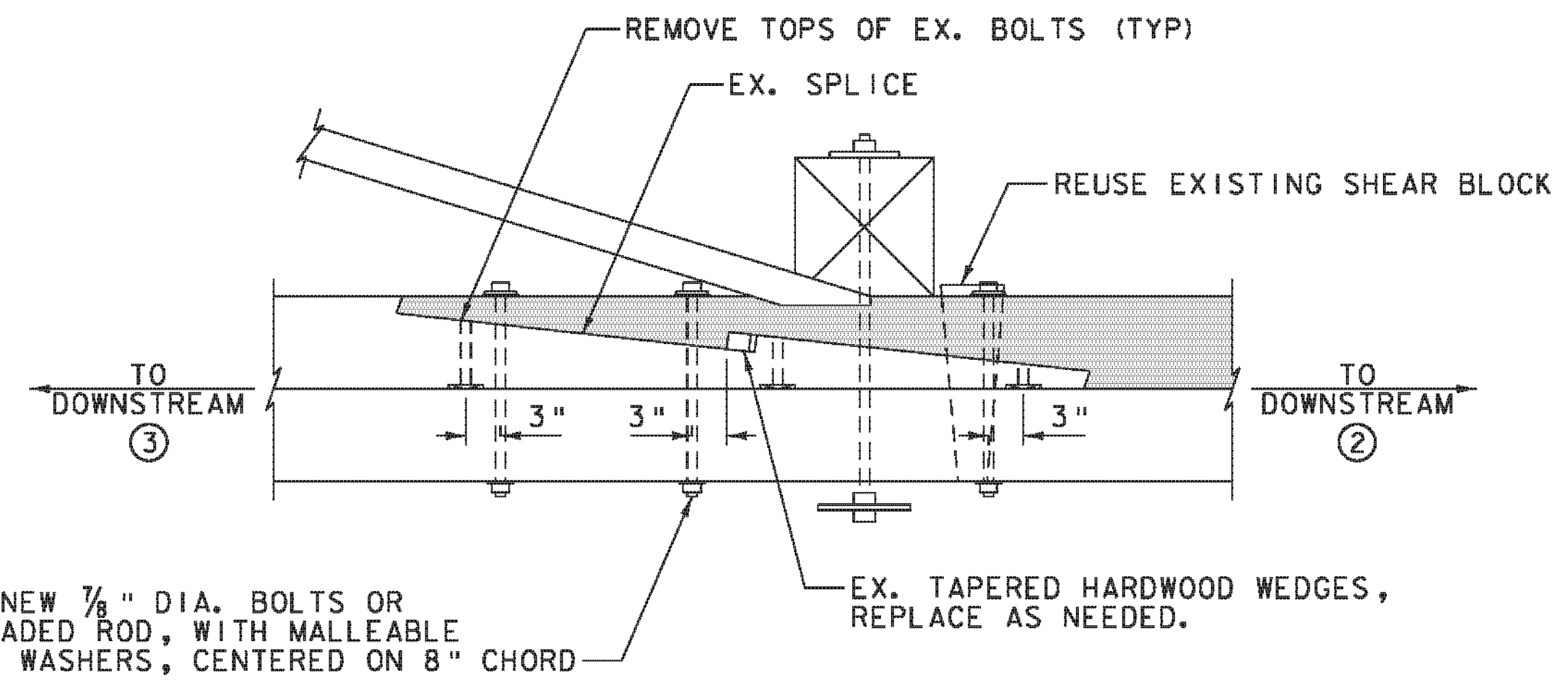
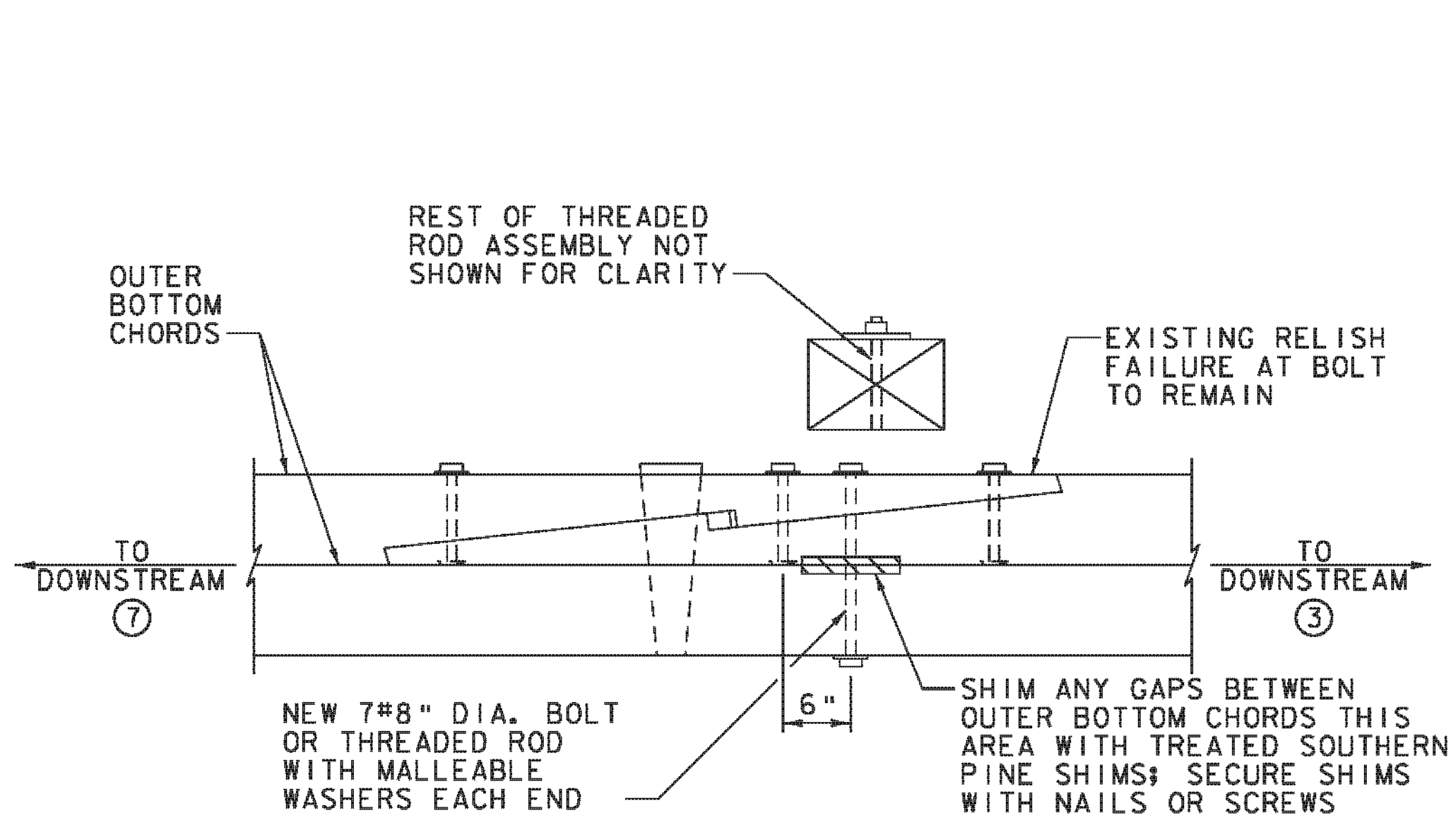


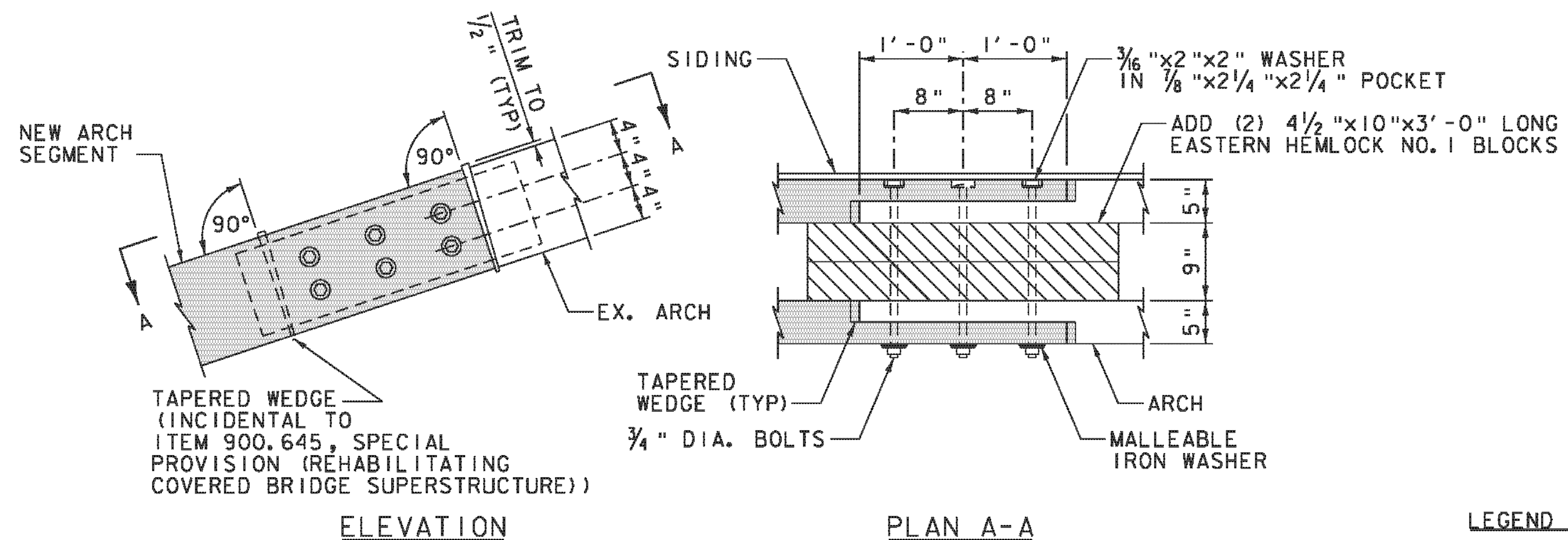
**DETAIL 8**  
**INNER BOTTOM CHORD SPLICE**  
 (REF: T26)  
 SCALE: 1" = 1'-0"



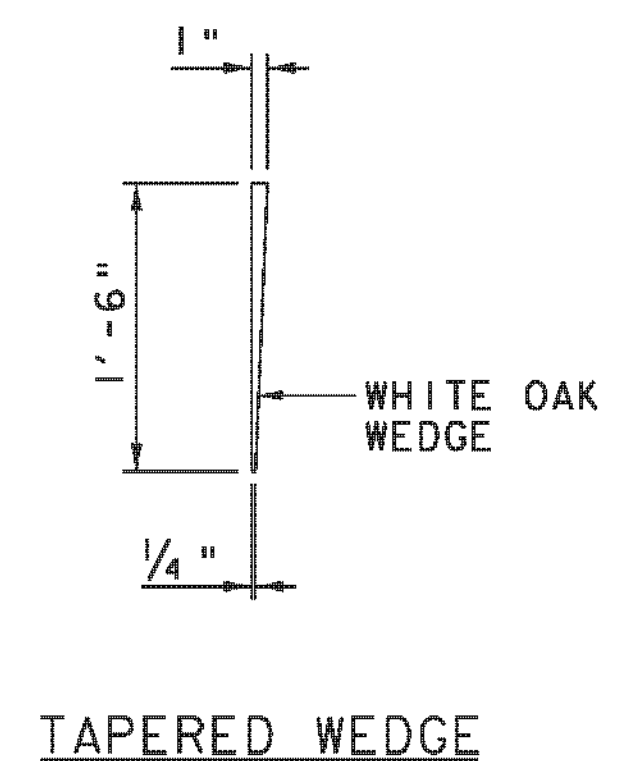
**DETAIL 9**  
**OUTER BOTTOM CHORD SPLICE**  
 (REF: T27)  
 SCALE: 1" = 1'-0"



**DETAIL 10**  
**BOTTOM CHORD SPLICE REPAIR**  
 (REF: T30)  
 SCALE: 1" = 1'-0"



**DETAIL 11**  
**NEW ARCH SPLICE**  
 (REF: T40)  
 SCALE: 1" = 1'-0"



**LEGEND FOR DETAILS**

- PREDETERMINED MEMBERS TO BE REPLACED (SIZE TO MATCH EXISTING, UNLESS OTHERWISE NOTED)
- PREDETERMINED PORTION OF EXISTING MEMBER TO BE REPLACED (MATCH SIZE OF EXISTING)
- ADDED MEMBER

PROJECT NAME: CHARLOTTE  
 PROJECT NUMBER: BHO 1445(34)

FILE NAME: z06j088details bridge.dgn PLOT DATE: 10/4/2012  
 PROJECT LEADER: M.A. COLGAN DRAWN BY: K.D. WENTWORTH  
 DESIGNED BY: K.E. HILL CHECKED BY: M.A. COLGAN  
 BRIDGE DETAILS (3 OF 8) SHEET 39 OF 55