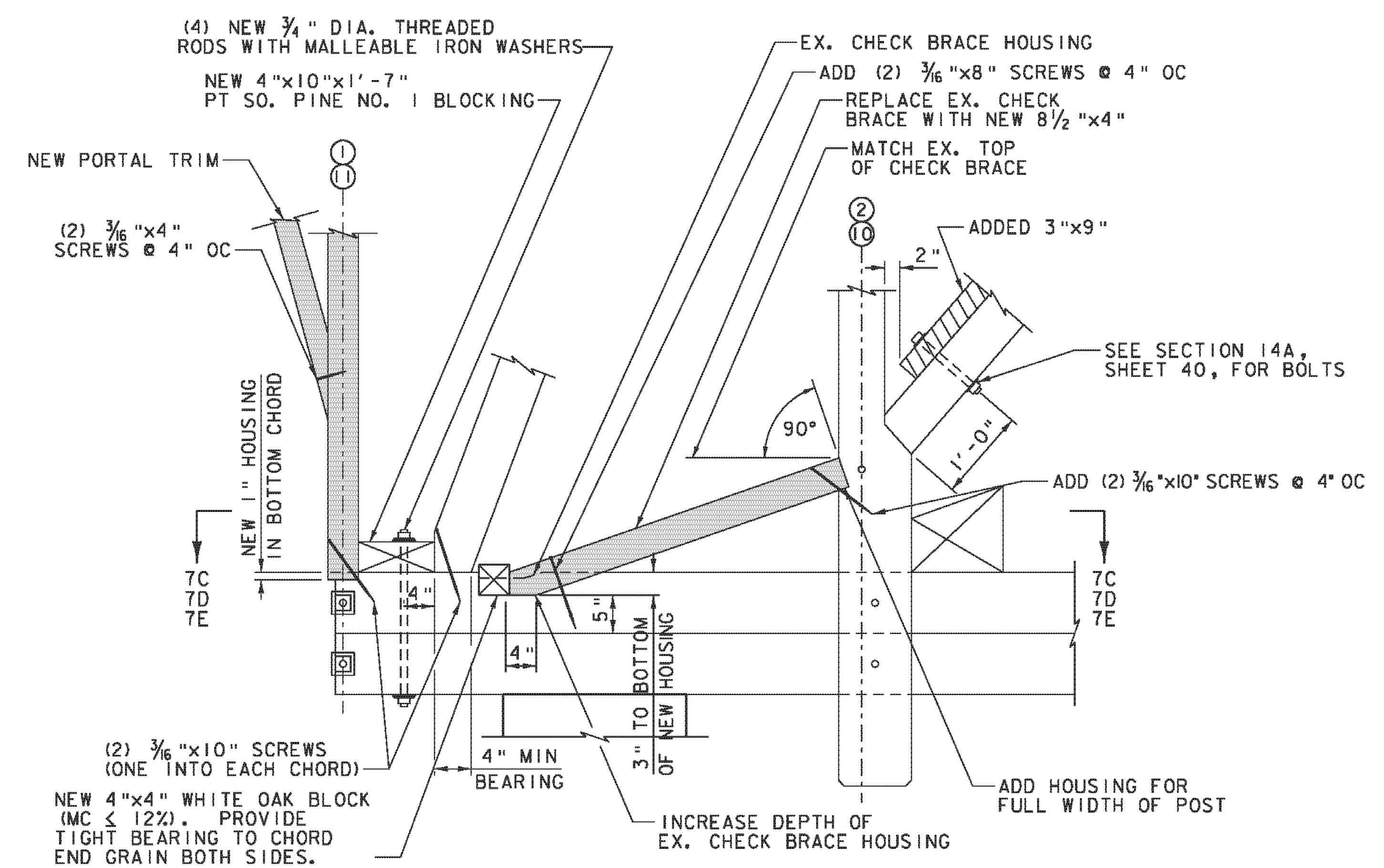
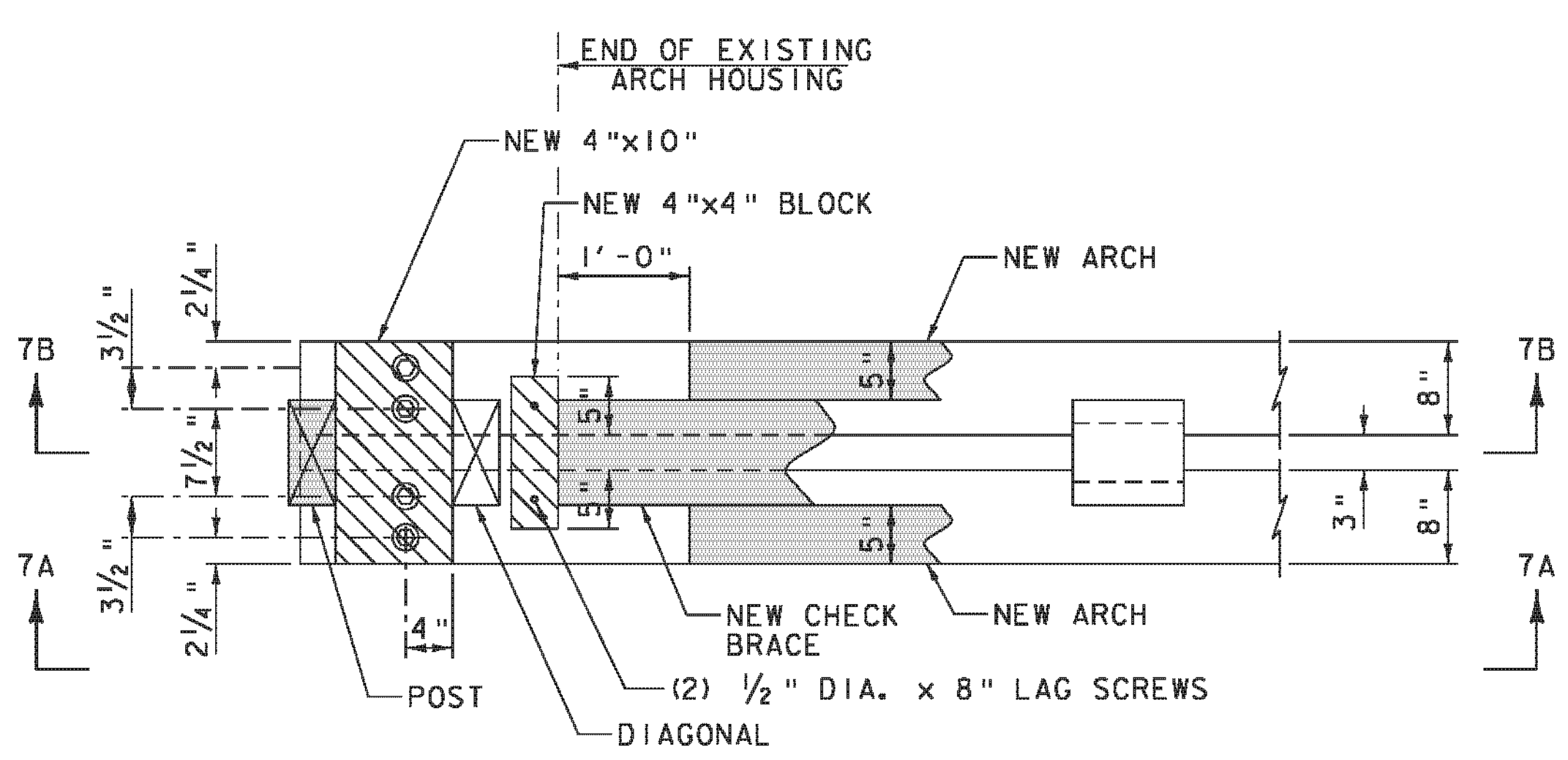


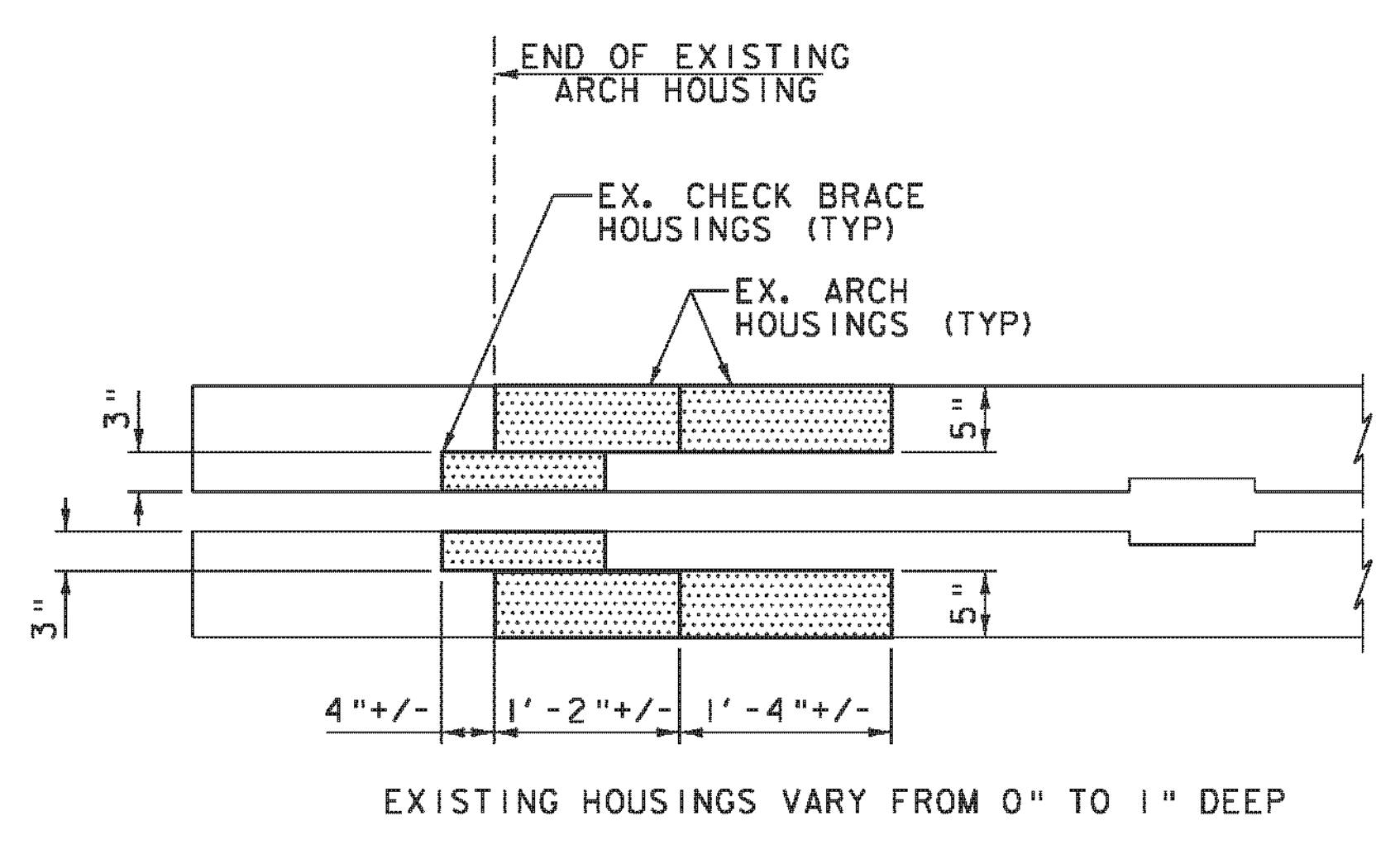
DETAIL 7A
BOTTOM CHORD ELEVATION
 (CHECK BRACE NOT SHOWN FOR CLARITY)
 (REF: T22)
 SCALE: 1" = 1'-0"



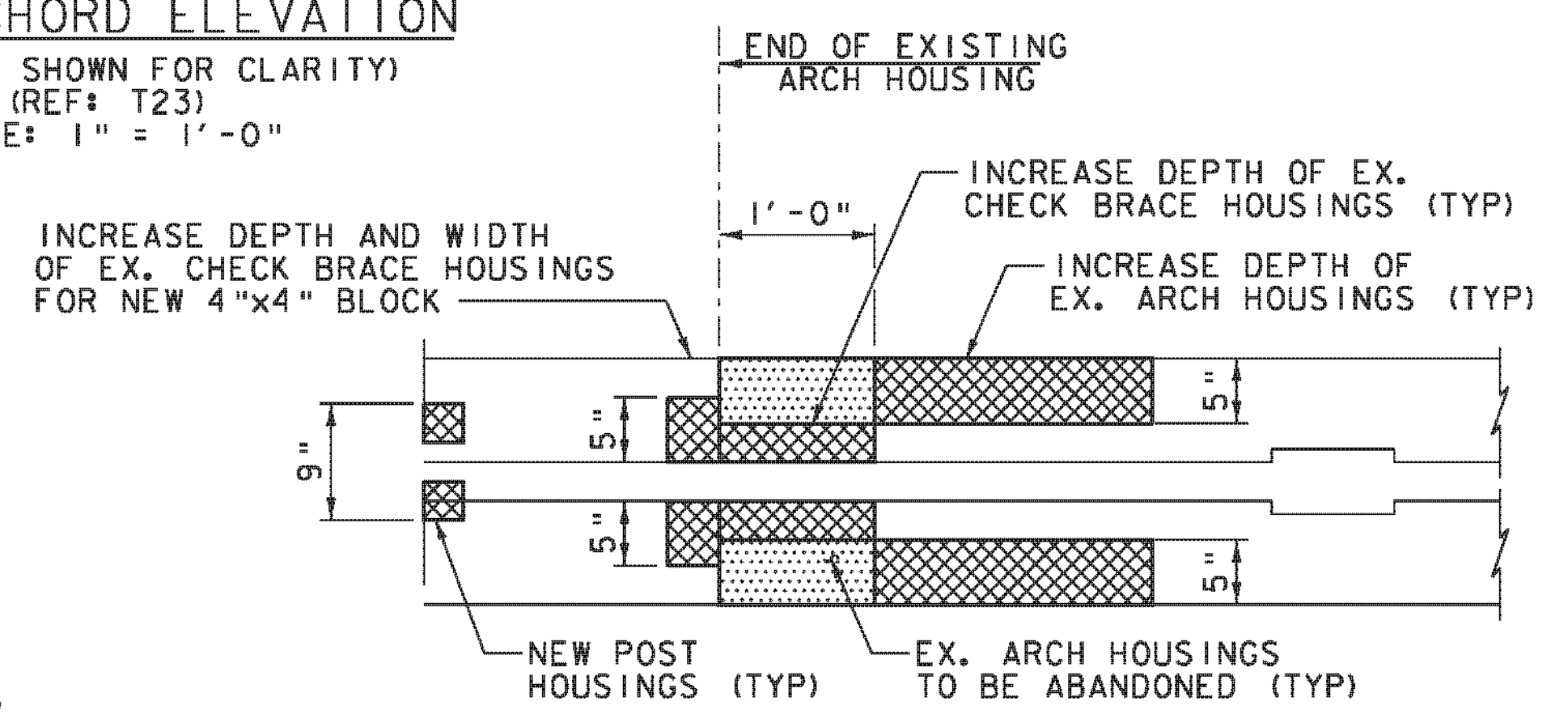
DETAIL 7B
BOTTOM CHORD ELEVATION
 (ARCH NOT SHOWN FOR CLARITY)
 (REF: T23)
 SCALE: 1" = 1'-0"



DETAIL 7C
PART PLAN AT ARCH BEARING
 SCALE: 1" = 1'-0"



DETAIL 7D
PART PLAN OF BOTTOM CHORD HOUSINGS (EXISTING)
 SCALE: 1" = 1'-0"



DETAIL 7E
PART PLAN OF BOTTOM CHORD HOUSINGS (PROPOSED)
 SCALE: 1" = 1'-0"

LEGEND FOR DETAILS

- PREDETERMINED MEMBERS TO BE REPLACED (SIZE TO MATCH EXISTING, UNLESS OTHERWISE NOTED)
- PREDETERMINED PORTION OF EXISTING MEMBER TO BE REPLACED (MATCH SIZE OF EXISTING)
- ADDED MEMBER
- EXTENT OF EXISTING HOUSING
- EXTENT OF NEW HOUSING

PROJECT NAME: CHARLOTTE	PROJECT NUMBER: BHO 1445(34)
FILE NAME: z06j088details bridge.dgn	PLOT DATE: 10/4/2012
PROJECT LEADER: M.A. COLGAN	DRAWN BY: K.D. WENTWORTH
DESIGNED BY: K.E. HILL	CHECKED BY: M.A. COLGAN
BRIDGE DETAILS (2 OF 8)	SHEET 38 OF 55