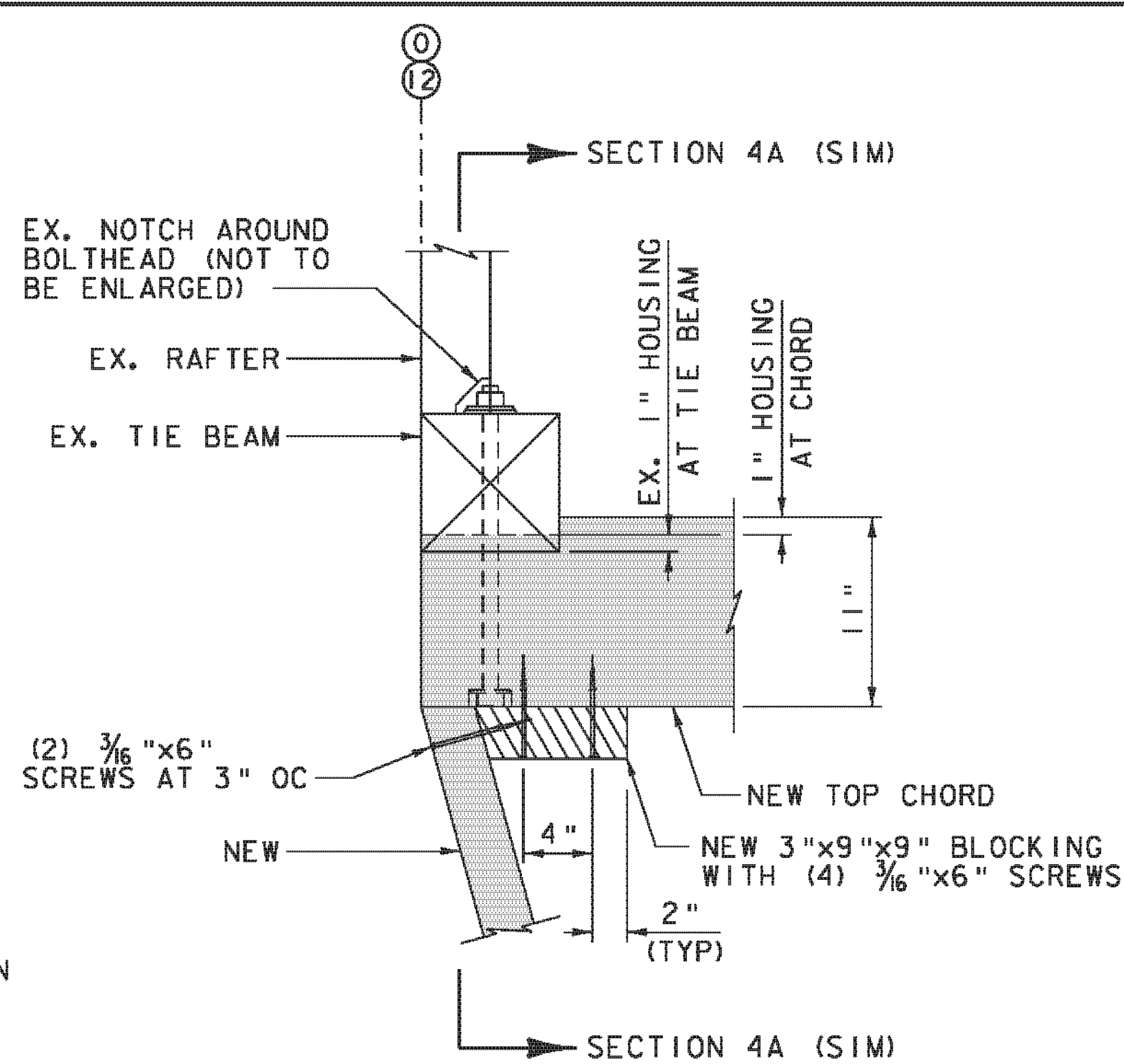
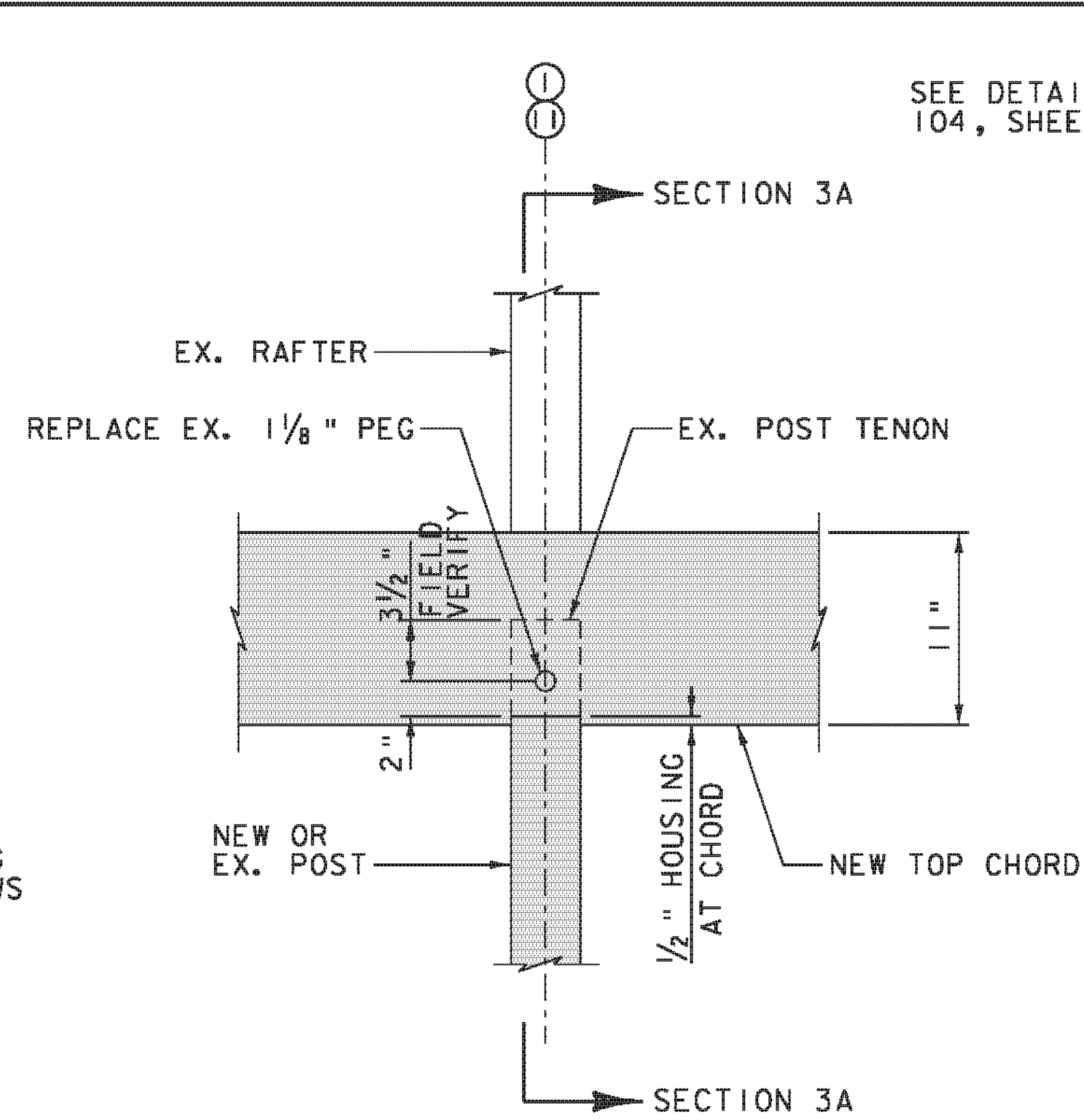


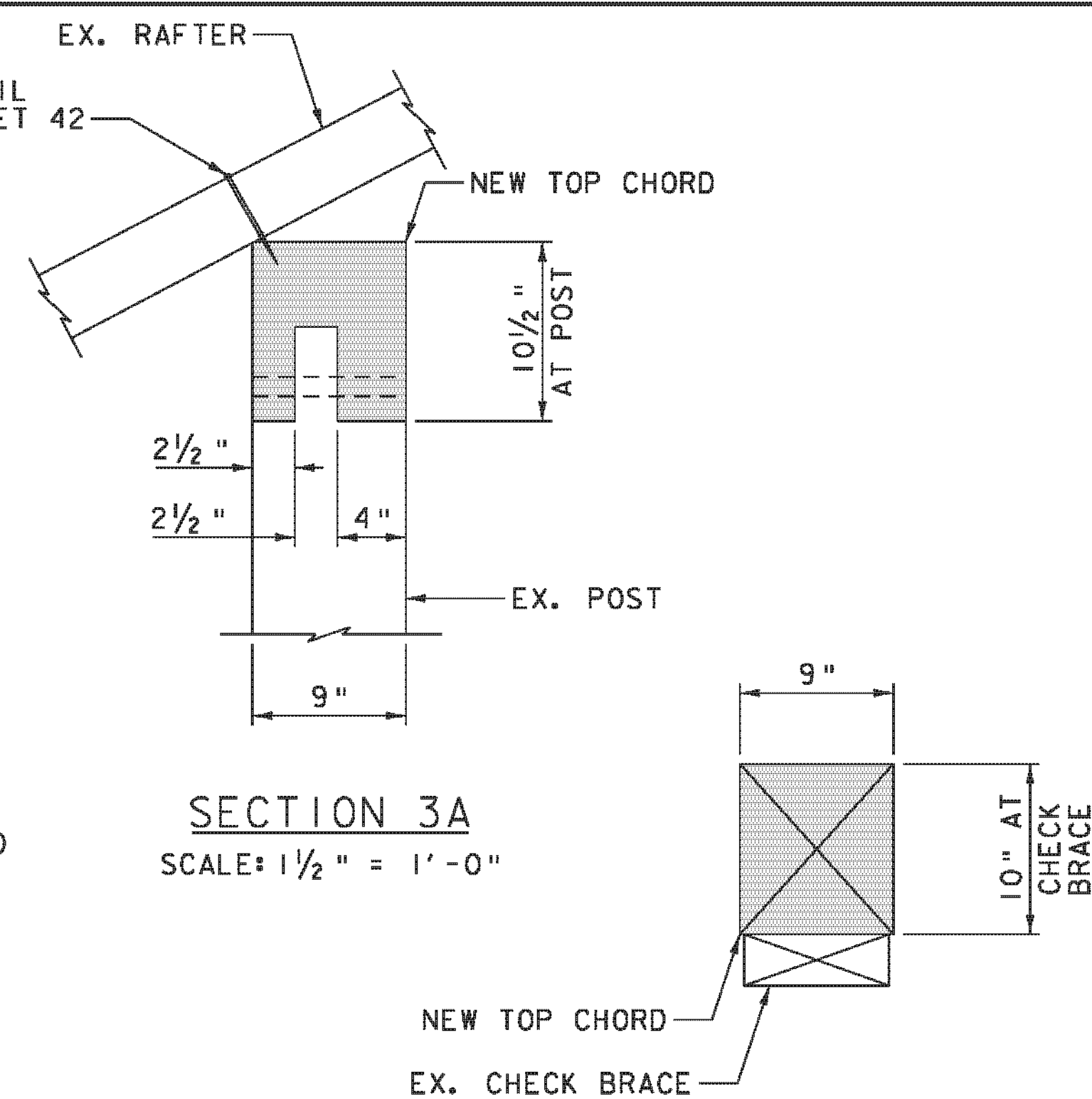
DETAIL 1
TOP CHORD SPLICE
(REF: T01)
SCALE: 1" = 1'-0"



DETAIL 2
TOP CHORD ELEVATION
(REF: T02)
SCALE: 1 1/2" = 1'-0"

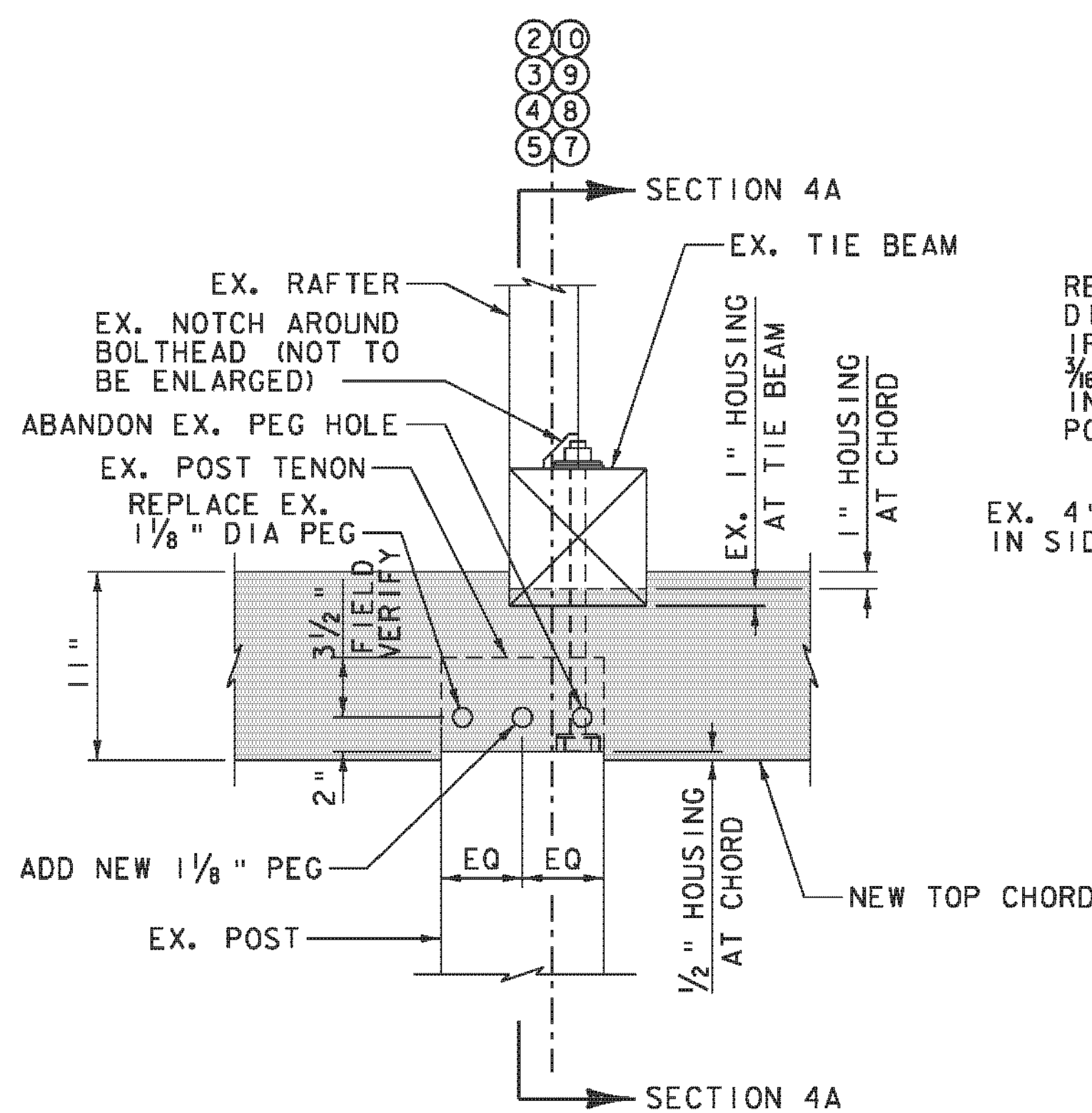


DETAIL 3
TOP CHORD ELEVATION
(REF: T03)
SCALE: 1 1/2" = 1'-0"

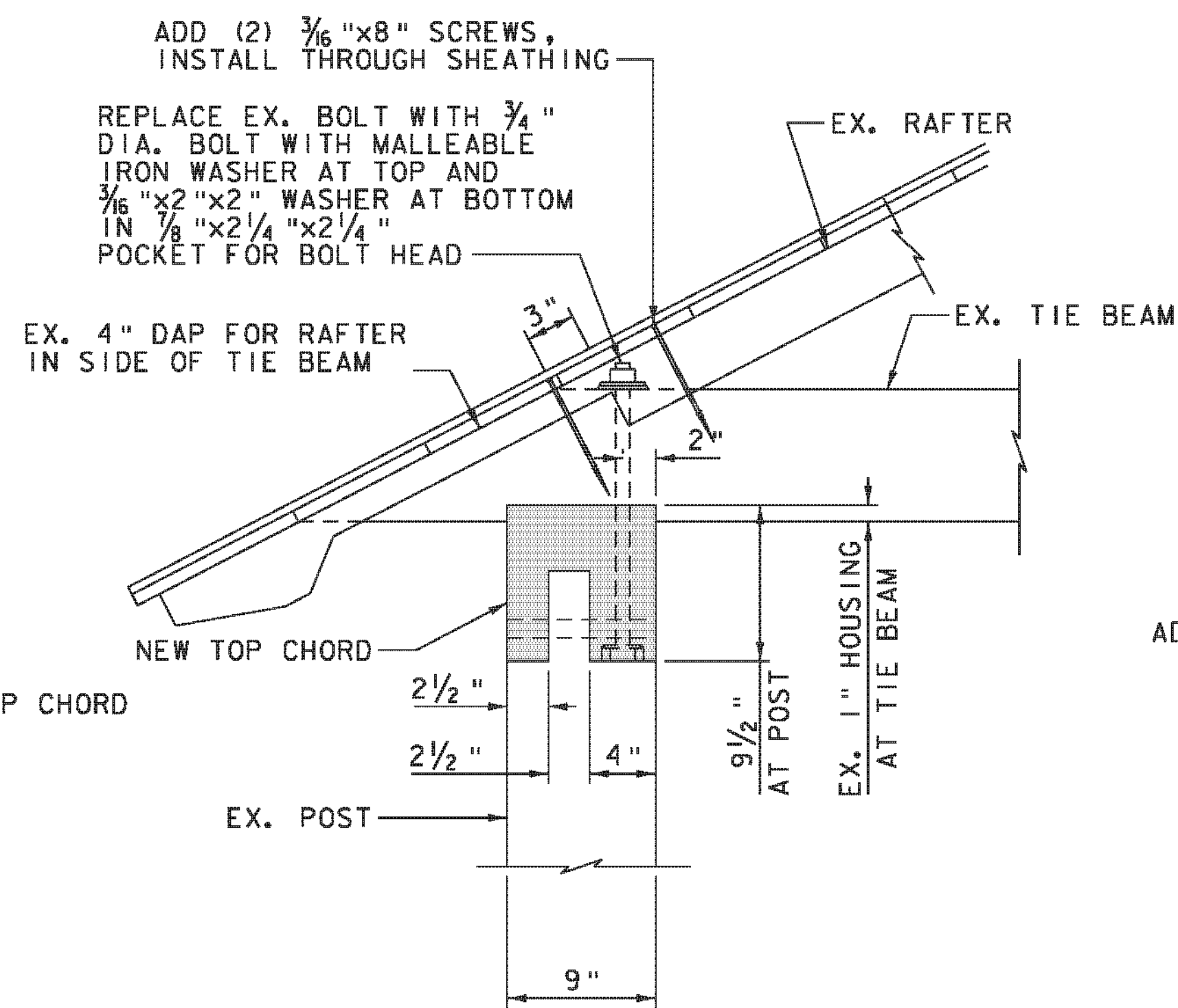


SECTION 3A
SCALE: 1 1/2" = 1'-0"

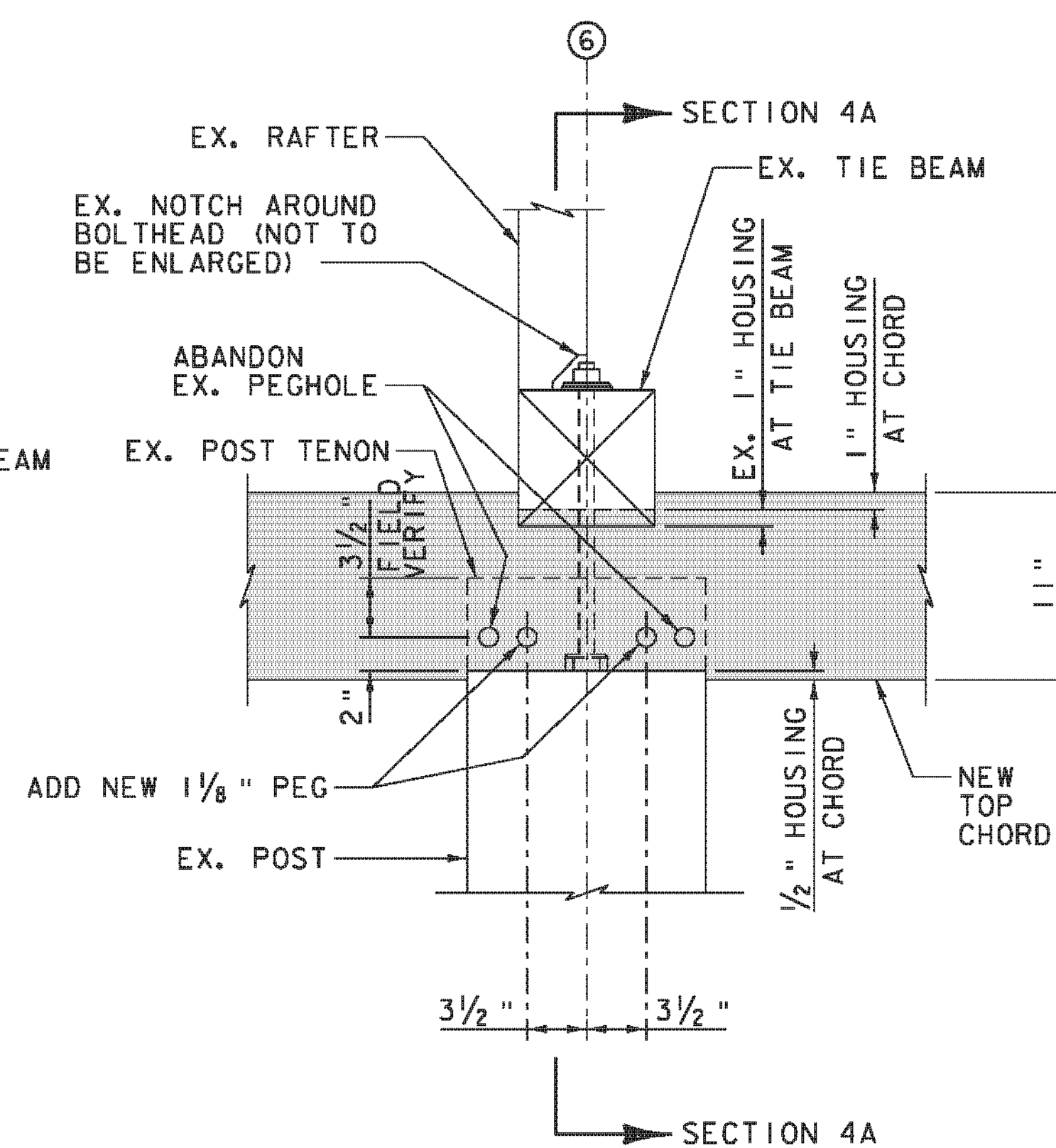
SECTION 6A
SCALE: 1 1/2" = 1'-0"



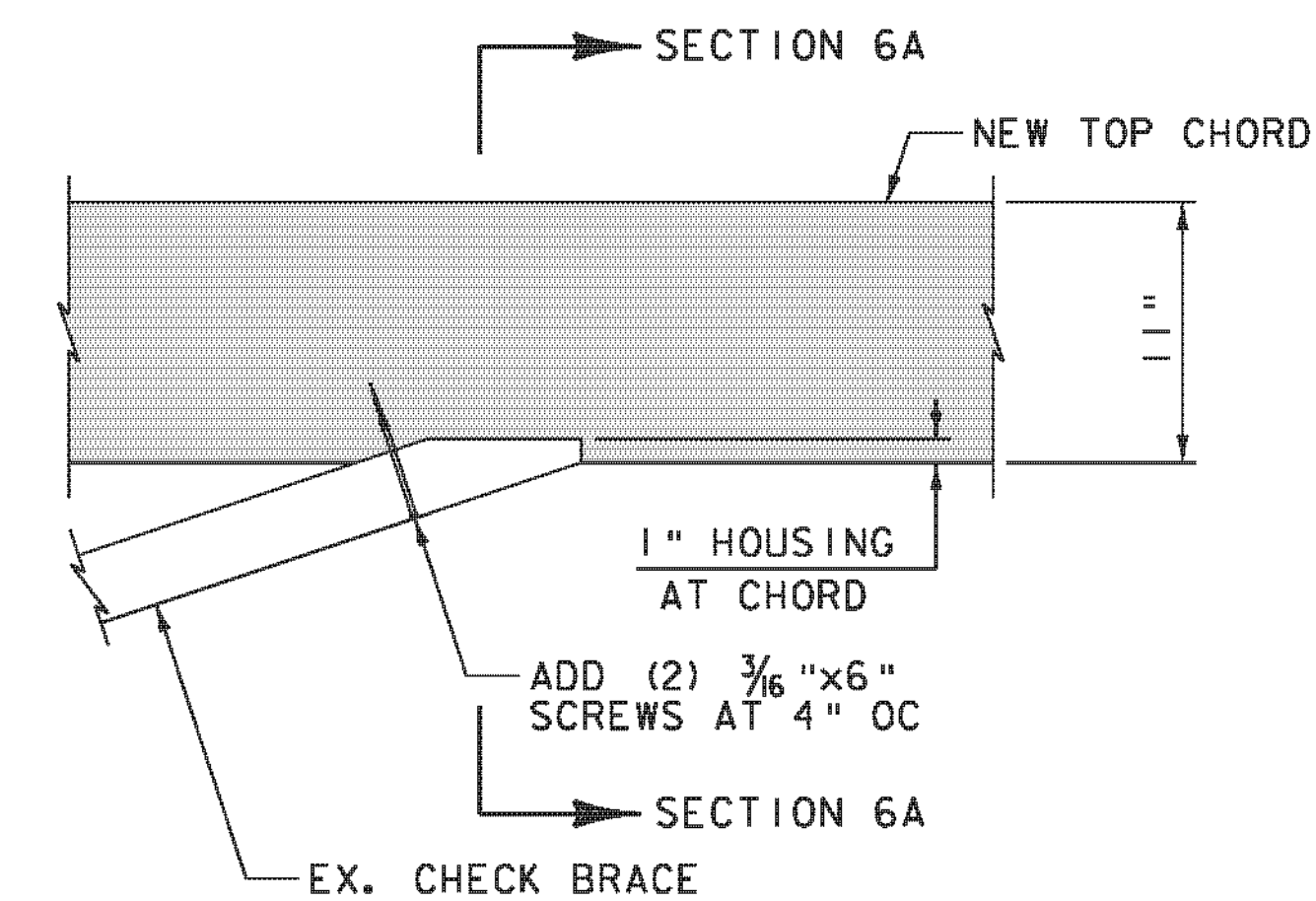
DETAIL 4
TOP CHORD ELEVATION
(REF: T04)
SCALE: 1 1/2" = 1'-0"



SECTION 4A
SCALE: 1 1/2" = 1'-0"



DETAIL 5
TOP CHORD ELEVATION
(REF: T05)
SCALE: 1 1/2" = 1'-0"



DETAIL 6
TOP CHORD ELEVATION
(REF: T06)
SCALE: 1 1/2" = 1'-0"

LEGEND FOR DETAILS

- PREDETERMINED MEMBERS TO BE REPLACED (SIZE TO MATCH EXISTING, UNLESS OTHERWISE NOTED)
- PREDETERMINED PORTION OF EXISTING MEMBER TO BE REPLACED (MATCH SIZE OF EXISTING)
- ADDED MEMBER

PROJECT NAME: CHARLOTTE
PROJECT NUMBER: BHO 1445(34)

FILE NAME: z06j088details bridge.dgn
PROJECT LEADER: M.A. COLGAN
DESIGNED BY: K.E. HILL
BRIDGE DETAILS (10F 8)

PLOT DATE: 10/4/2012
DRAWN BY: K.D. WENTWORTH
CHECKED BY: M.A. COLGAN
SHEET 37 OF 55