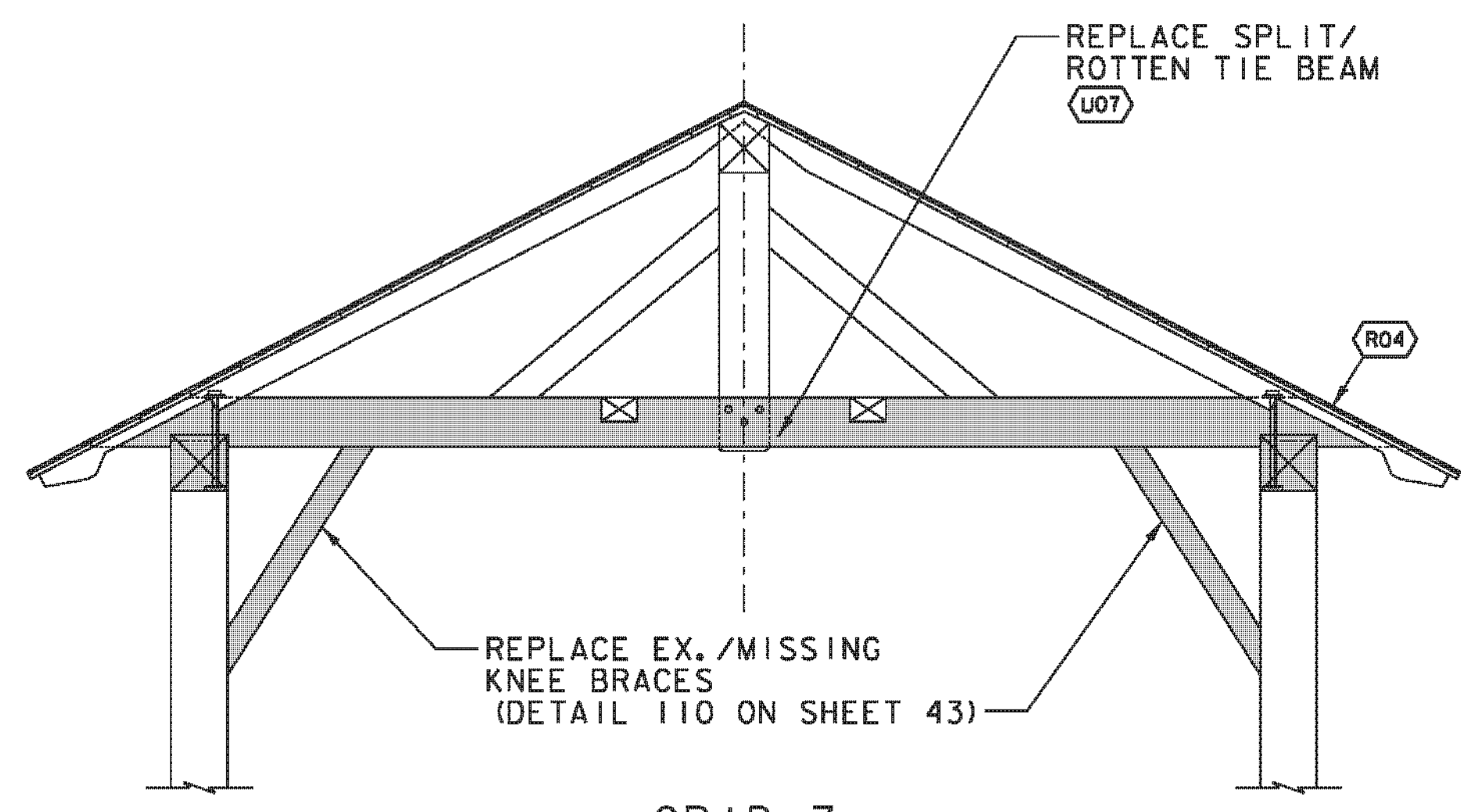


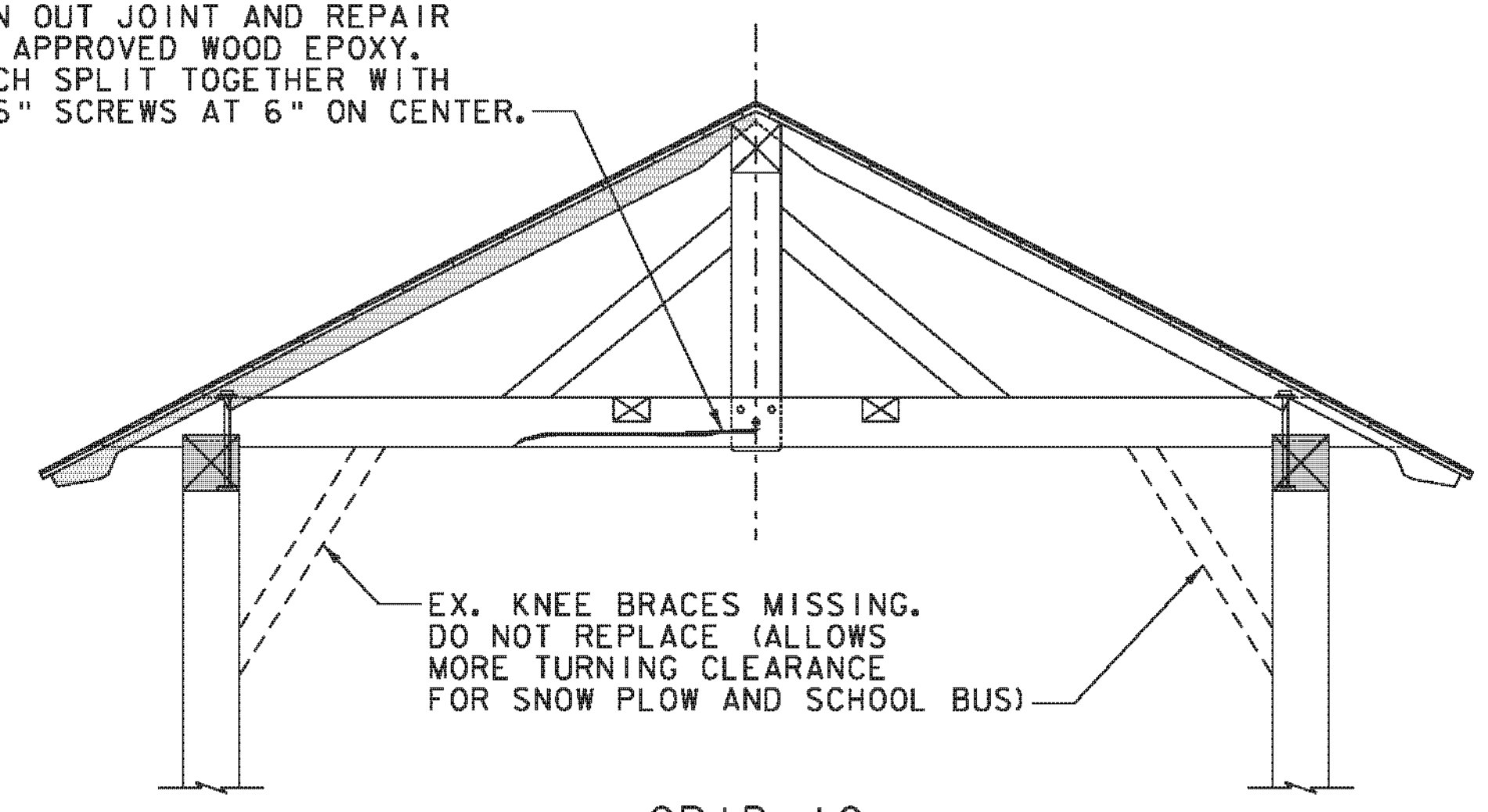
← UPSTREAM



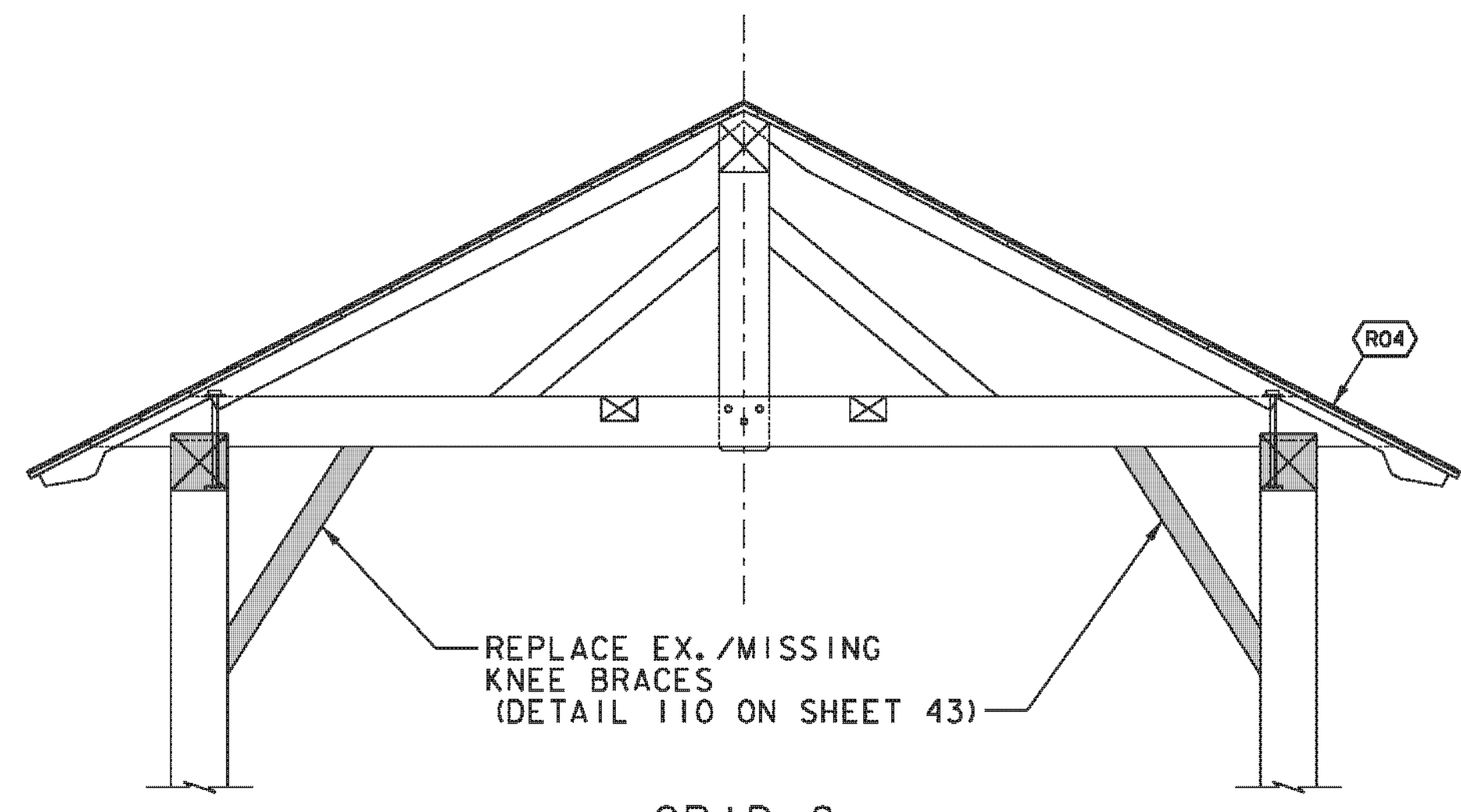
GRID 7

EX. SPLIT AT FAR FACE. CLEAN OUT JOINT AND REPAIR WITH APPROVED WOOD EPOXY. STITCH SPLIT TOGETHER WITH 3/16" x 6" SCREWS AT 6" ON CENTER.

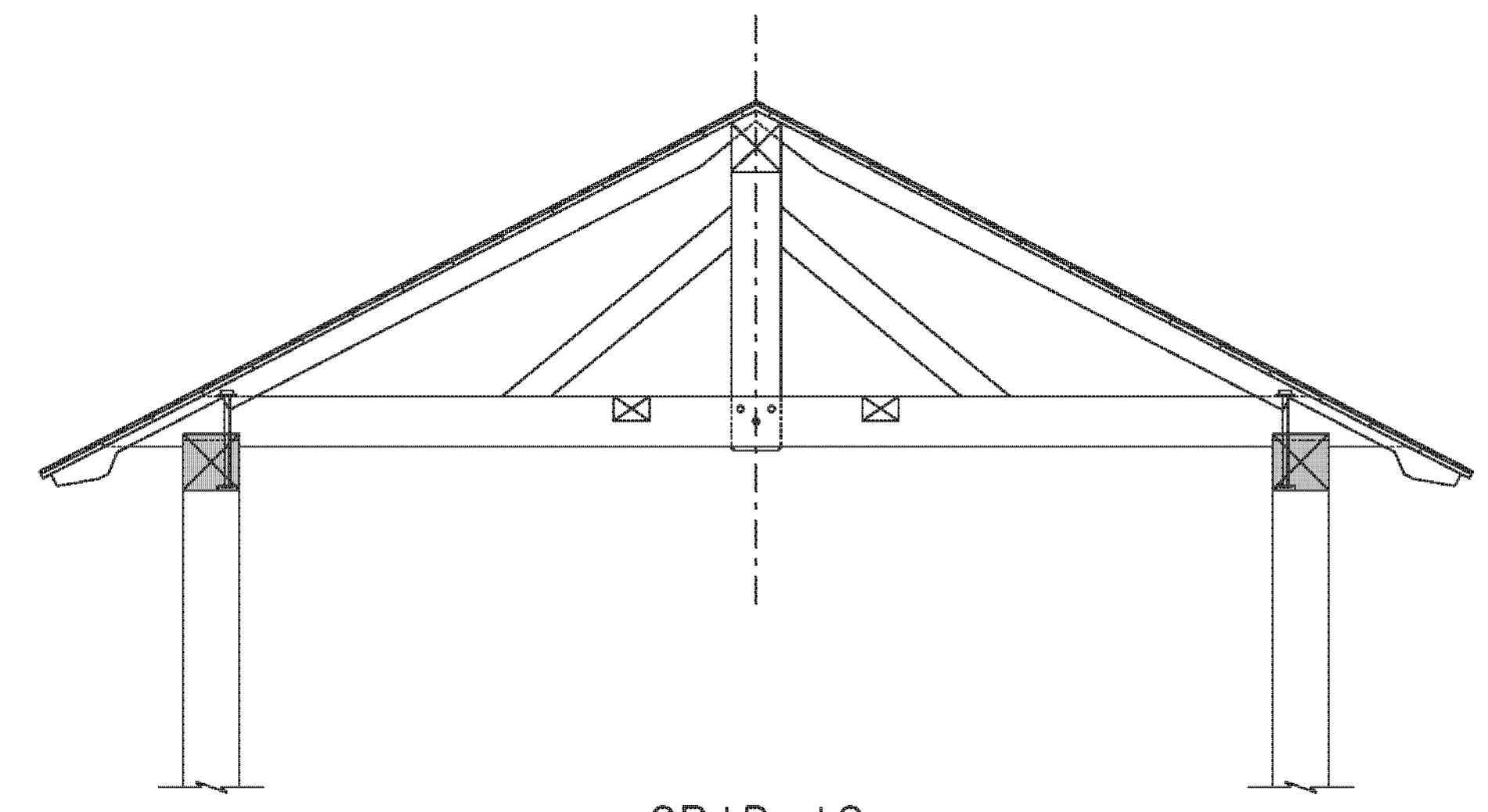
DOWNSTREAM →



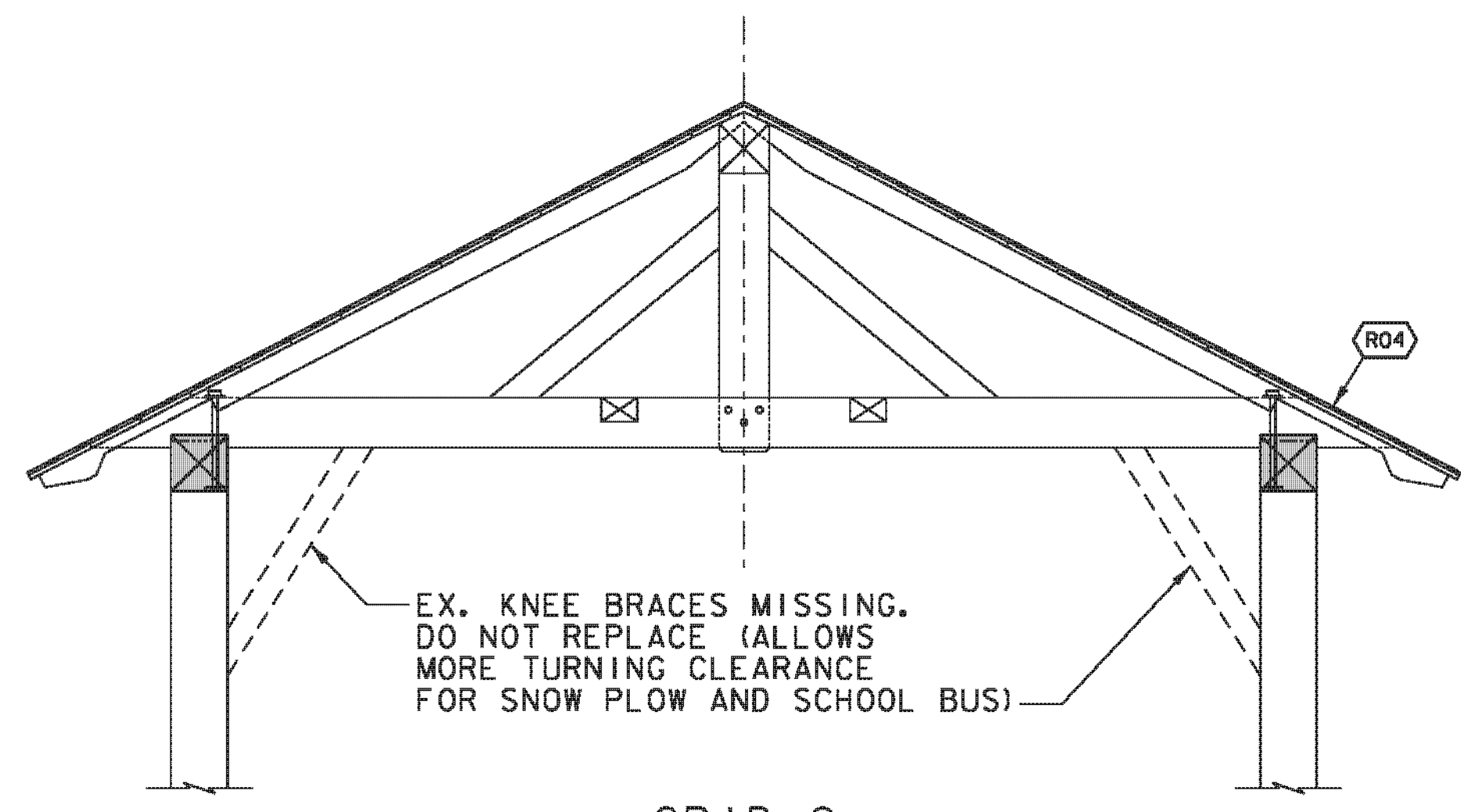
GRID 10



GRID 8



GRID 12



GRID 9

NOTES:
1. SEE SHEET 33 FOR LEGEND AND NOTES

PROJECT NAME:	CHARLOTTE	PLOT DATE:	9/14/2012
PROJECT NUMBER:	BHO 1445(34)	PROJECT LEADER:	M.A. COLGAN
FILE NAME:	z06j088knee_brace.dgn	DESIGNED BY:	K.E. HILL
		CHECKED BY:	M.A. COLGAN
		TIE BEAM ELEVATIONS (2 OF 2)	SHEET 34 OF 55

