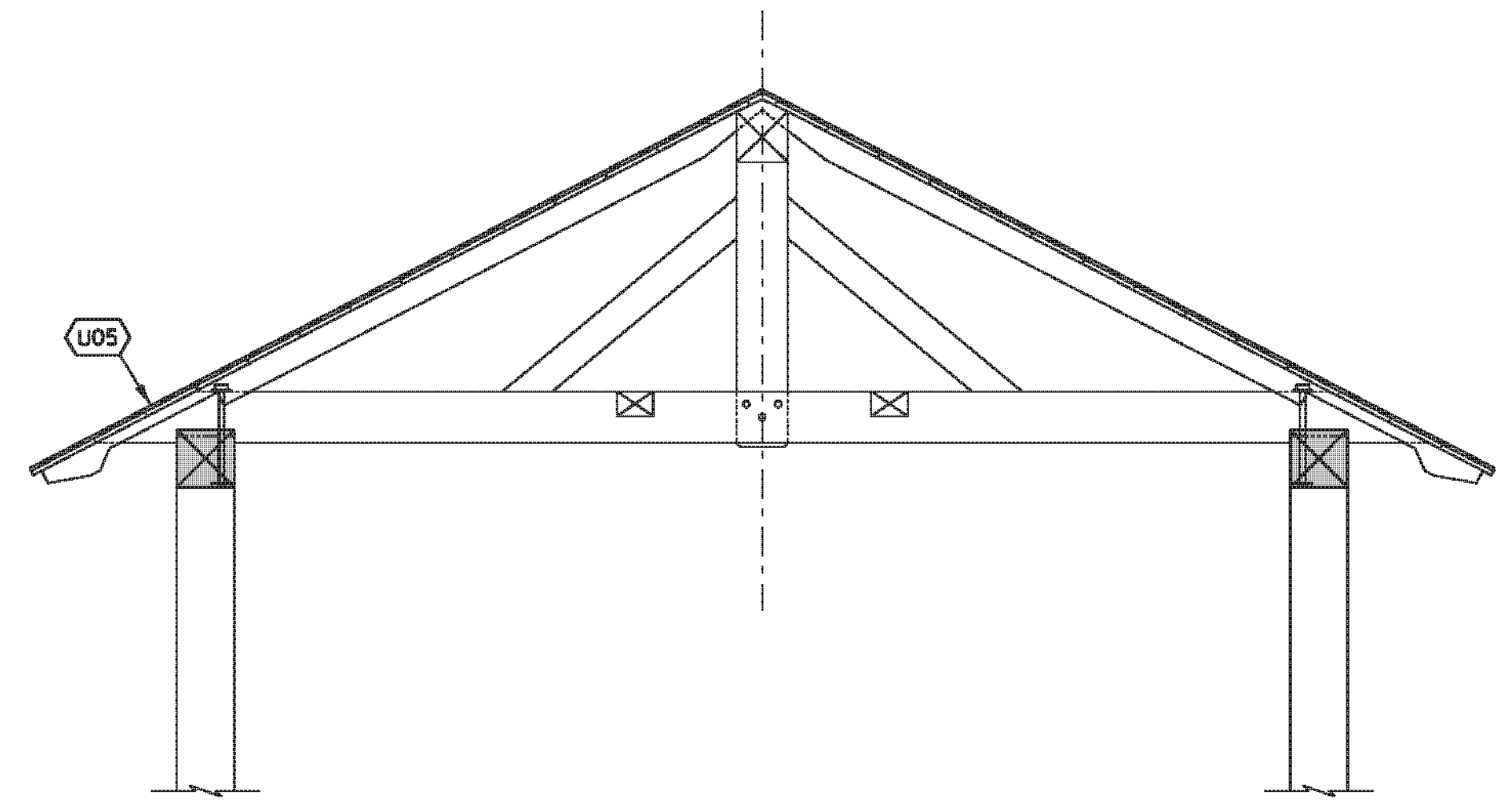
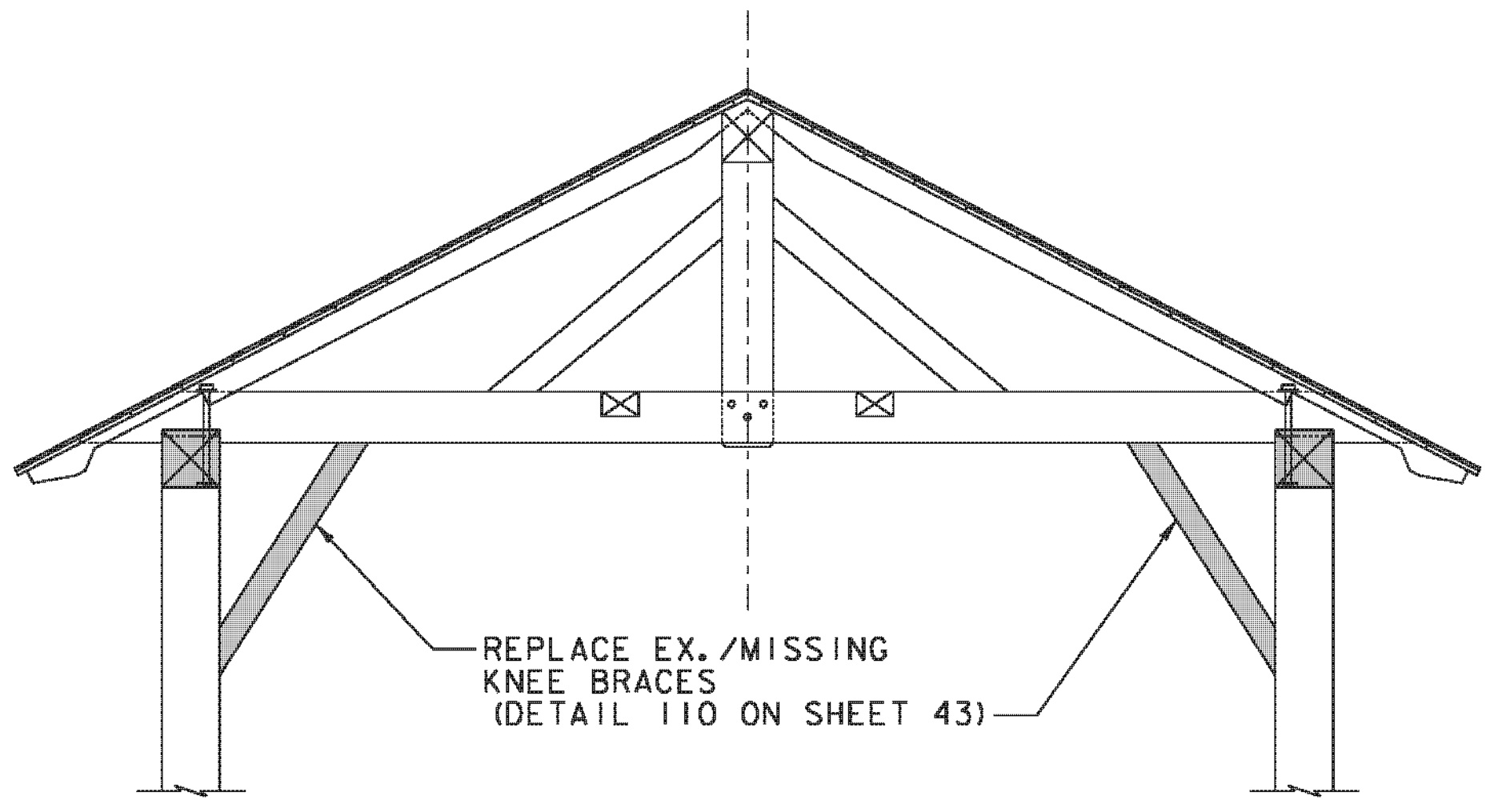


← UPSTREAM

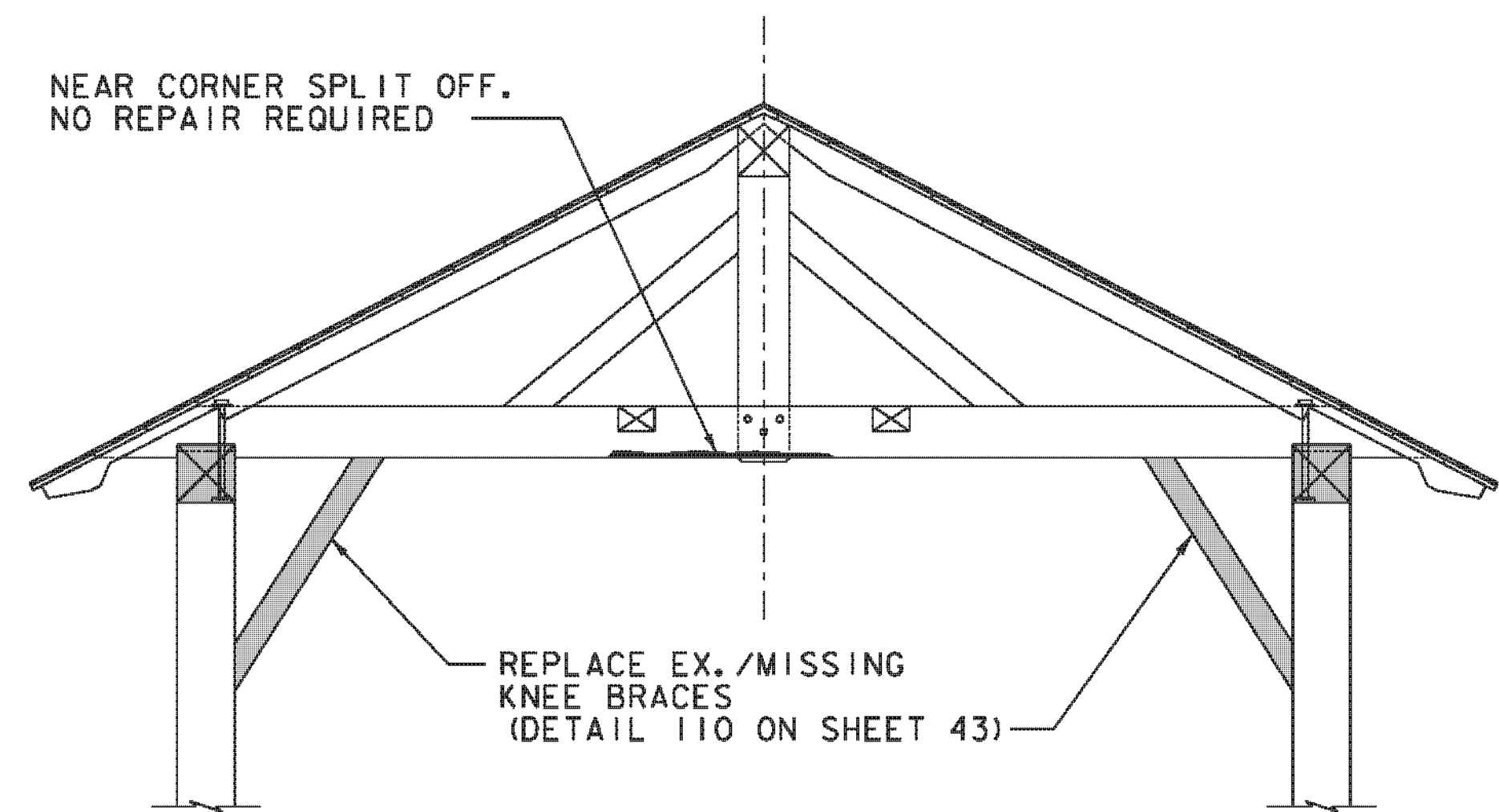
DOWNSTREAM →



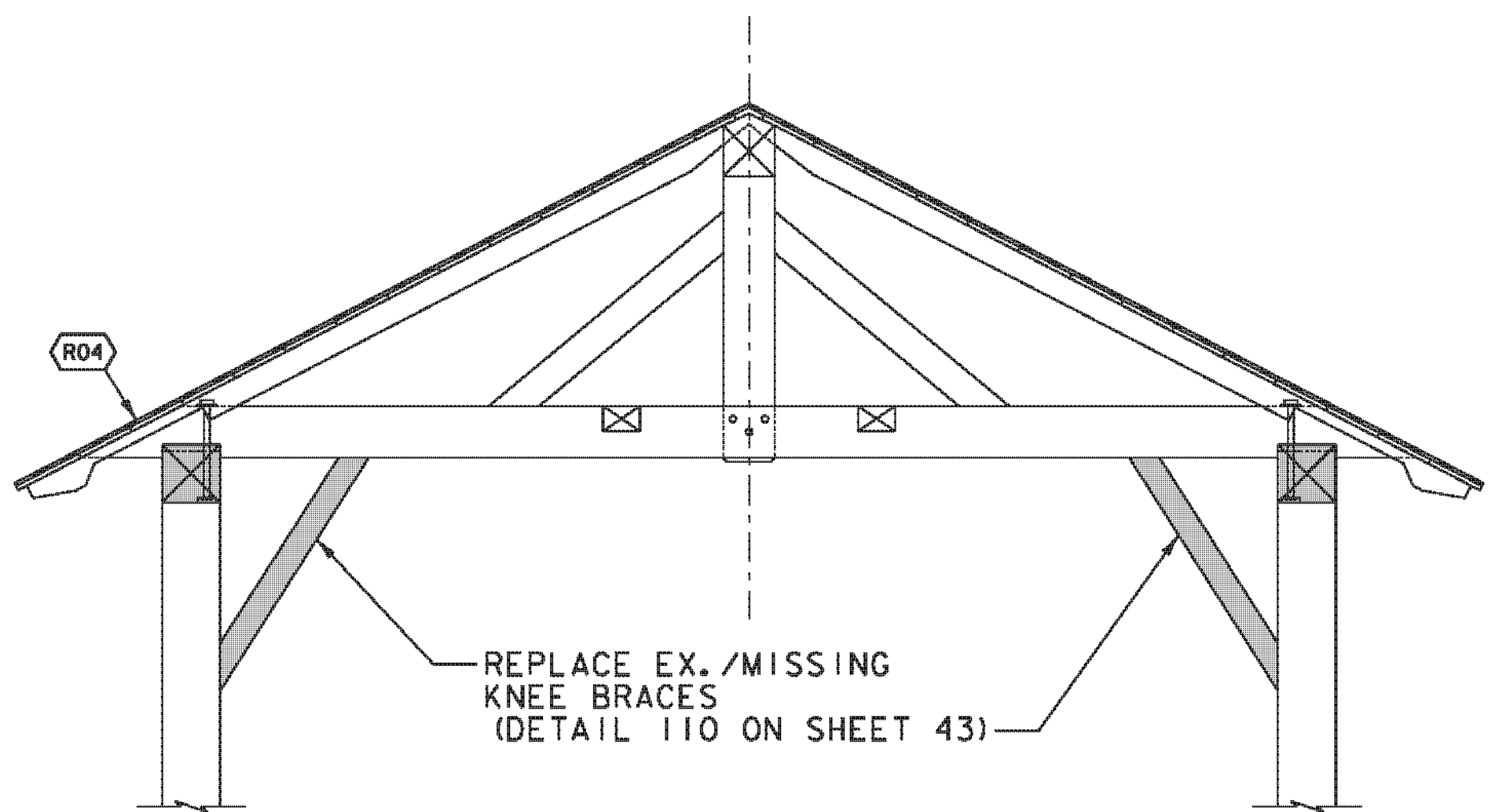
GRID 0



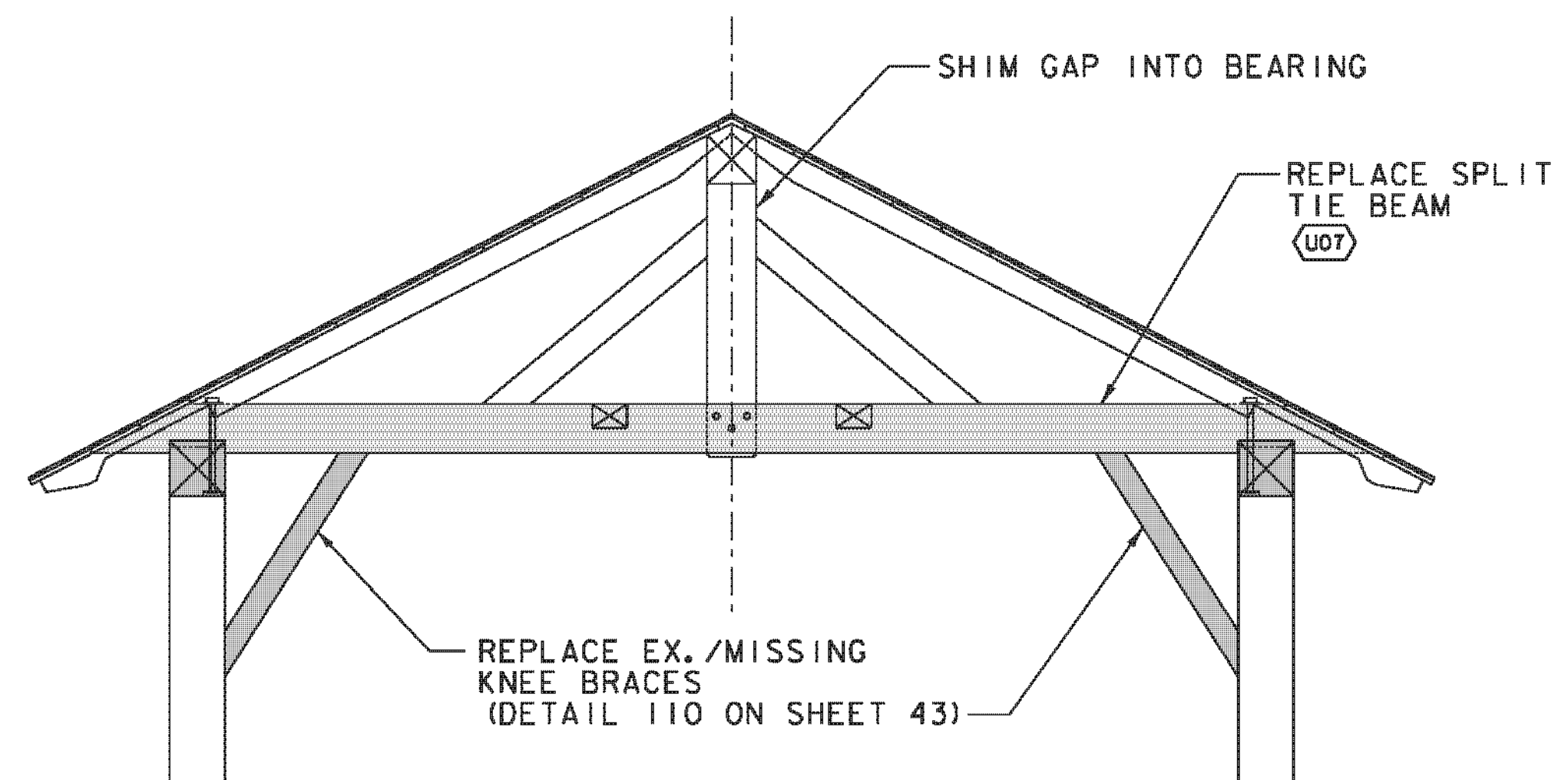
GRID 4



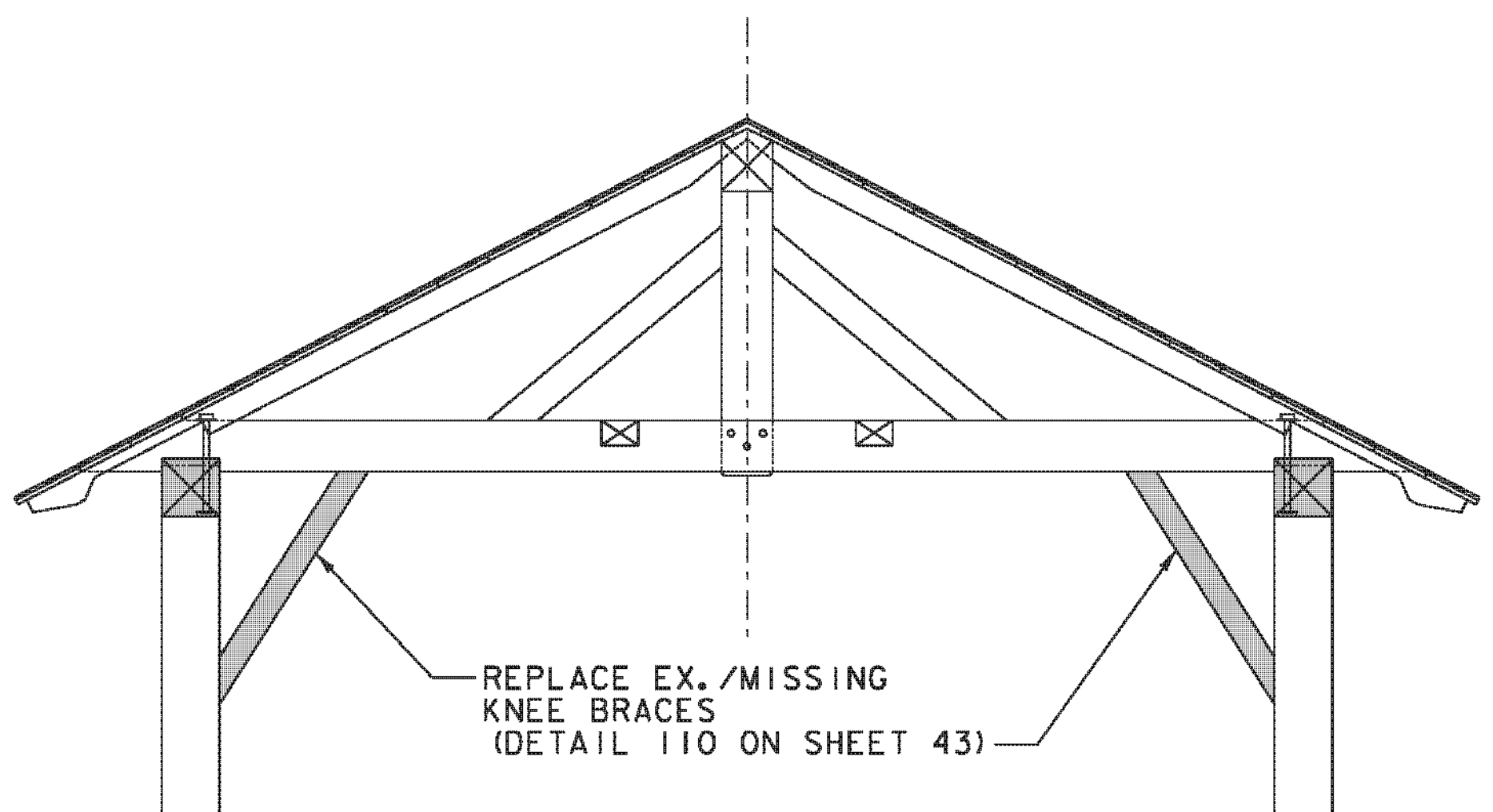
GRID 2



GRID 5



GRID 3



GRID 6

LEGEND:

- PREDETERMINED MEMBERS TO BE REPLACED (SIZE TO MATCH EXISTING, UNLESS OTHERWISE NOTED)
- PREDETERMINED PORTION OF EXISTING MEMBER TO BE REPLACED (MATCH SIZE OF EXISTING)
- ADDED MEMBER
- EXISTING MEMBER TO BE REMOVED
- REPAIR KEY NUMBER

NOTES:

1. SCALE IS 1/2" = 1'-0".
2. SEE SHEET 27 FOR (UX) REPAIRS.
3. SEE SHEET 26 FOR (RX) REPAIRS.

PROJECT NAME:	CHARLOTTE	PLOT DATE:	9/14/2012
PROJECT NUMBER:	BHO 1445(34)	PROJECT LEADER:	M.A. COLGAN
FILE NAME:	z06j088knee_brace.dgn	DESIGNED BY:	K.E. HILL
		TIE BEAM ELEVATIONS (1 OF 2)	CHECKED BY: M.A. COLGAN
			SHEET 33 OF 55

