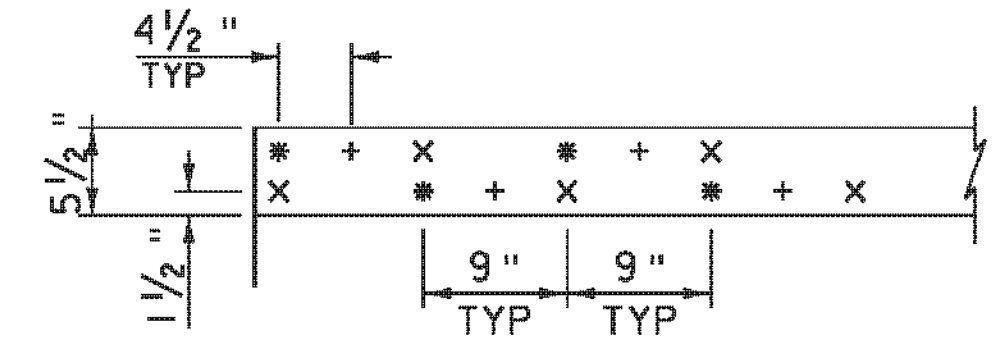


DECK NOTES:

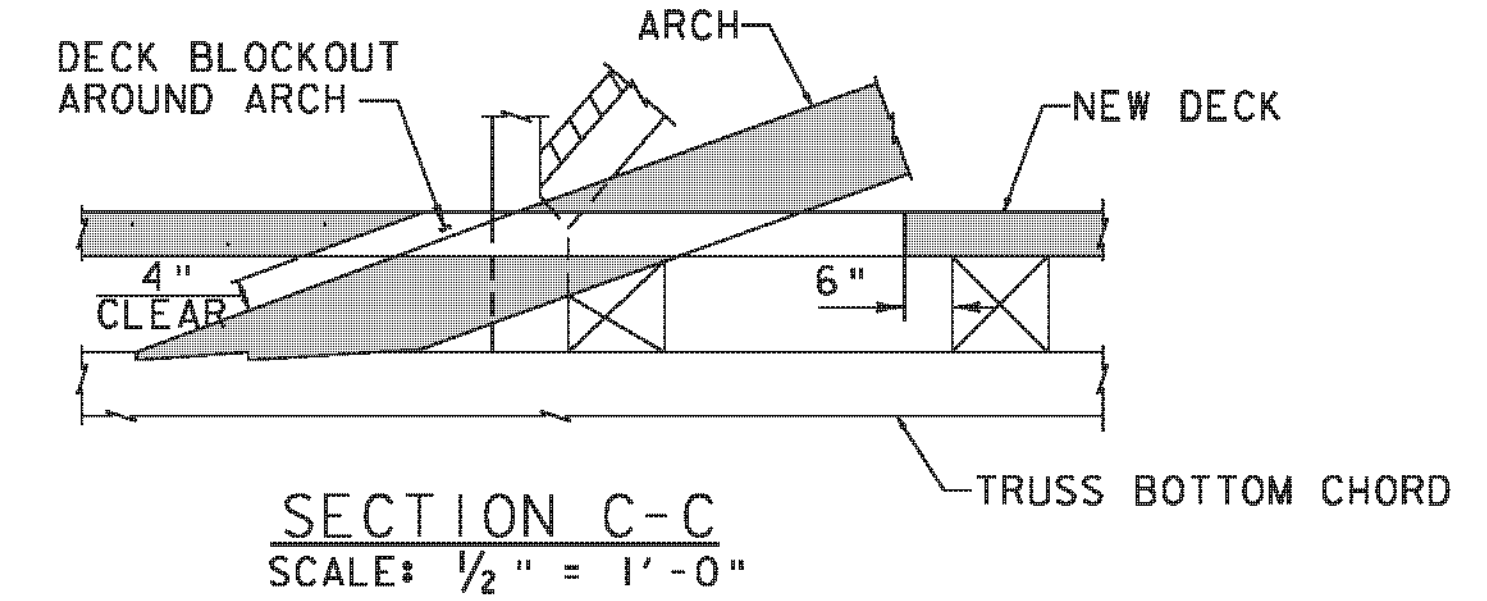
1. NAIL-LAMINATED DECK IS TO BE CONSTRUCTED AS A SINGLE UNIT; PANELIZED DECK IS NOT PERMITTED.
2. ALL 2x6'S SHALL BE CONTINUOUS OVER AT LEAST 3 SPANS. STAGGER BUTT JOINTS, AND LOCATE BUTT JOINTS OVER FLOORBEAMS.

DECK PLAN
SCALE: 1/4" = 1'-0"

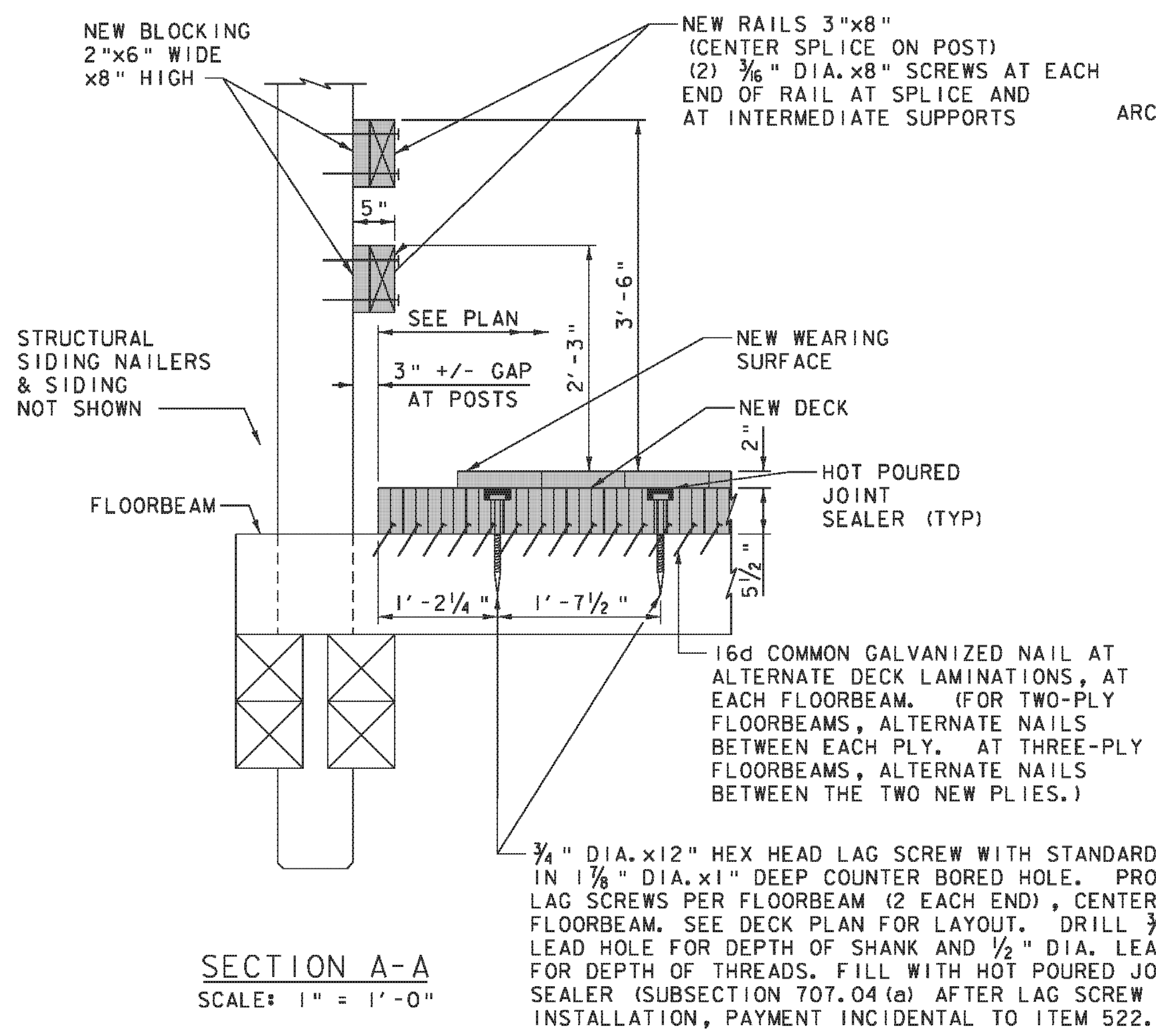


20d COMMON GALVANIZED SPIKES
* INDICATES NAILS IN FIRST LAMINATION
x INDICATES NAILS IN SECOND LAMINATION
+ INDICATES NAILS IN THIRD LAMINATION

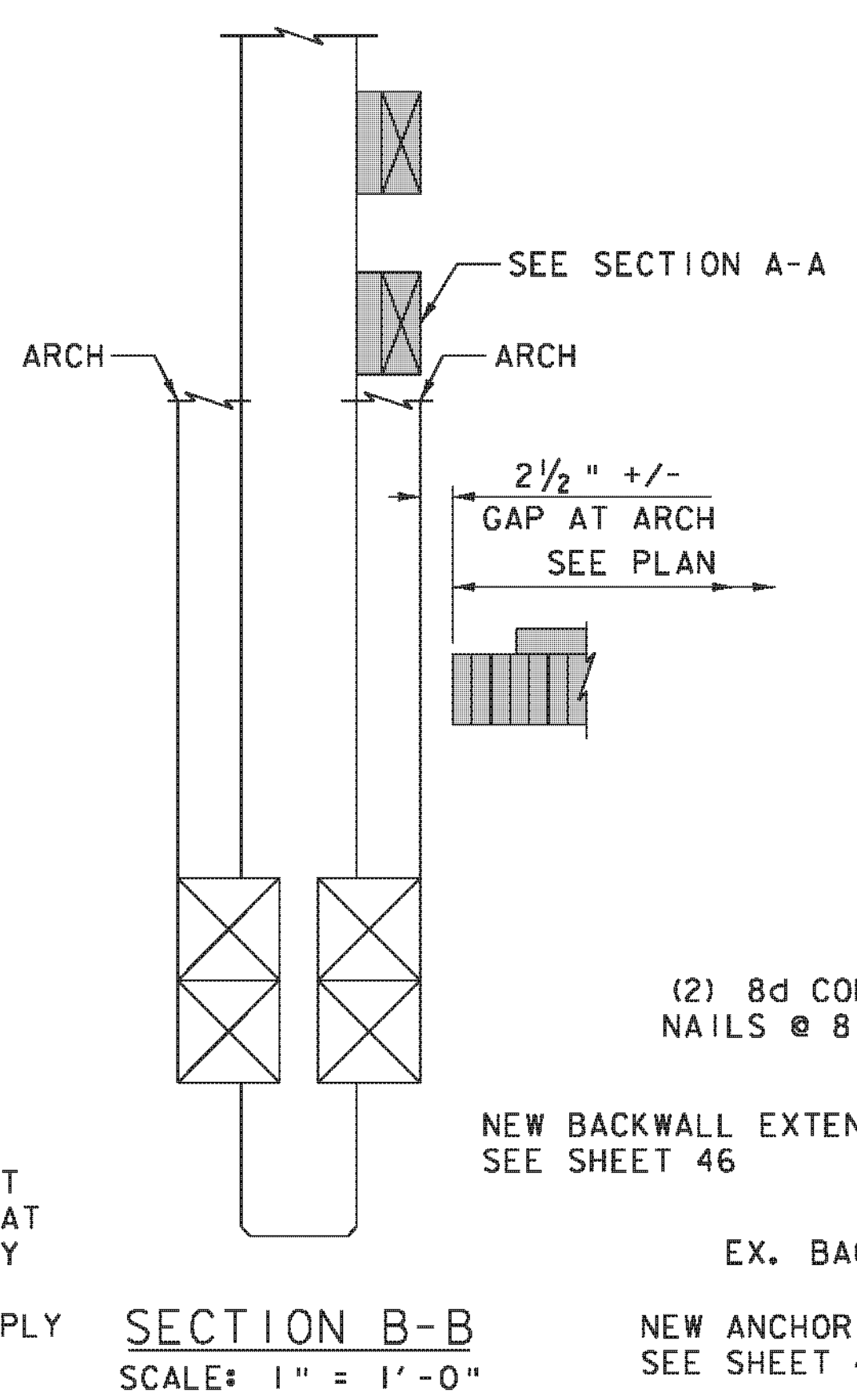
DETAIL E
NAILING PATTERN FOR NAIL-LAMINATED DECK (SIDE VIEW)
SCALE: 1" = 1'-0"



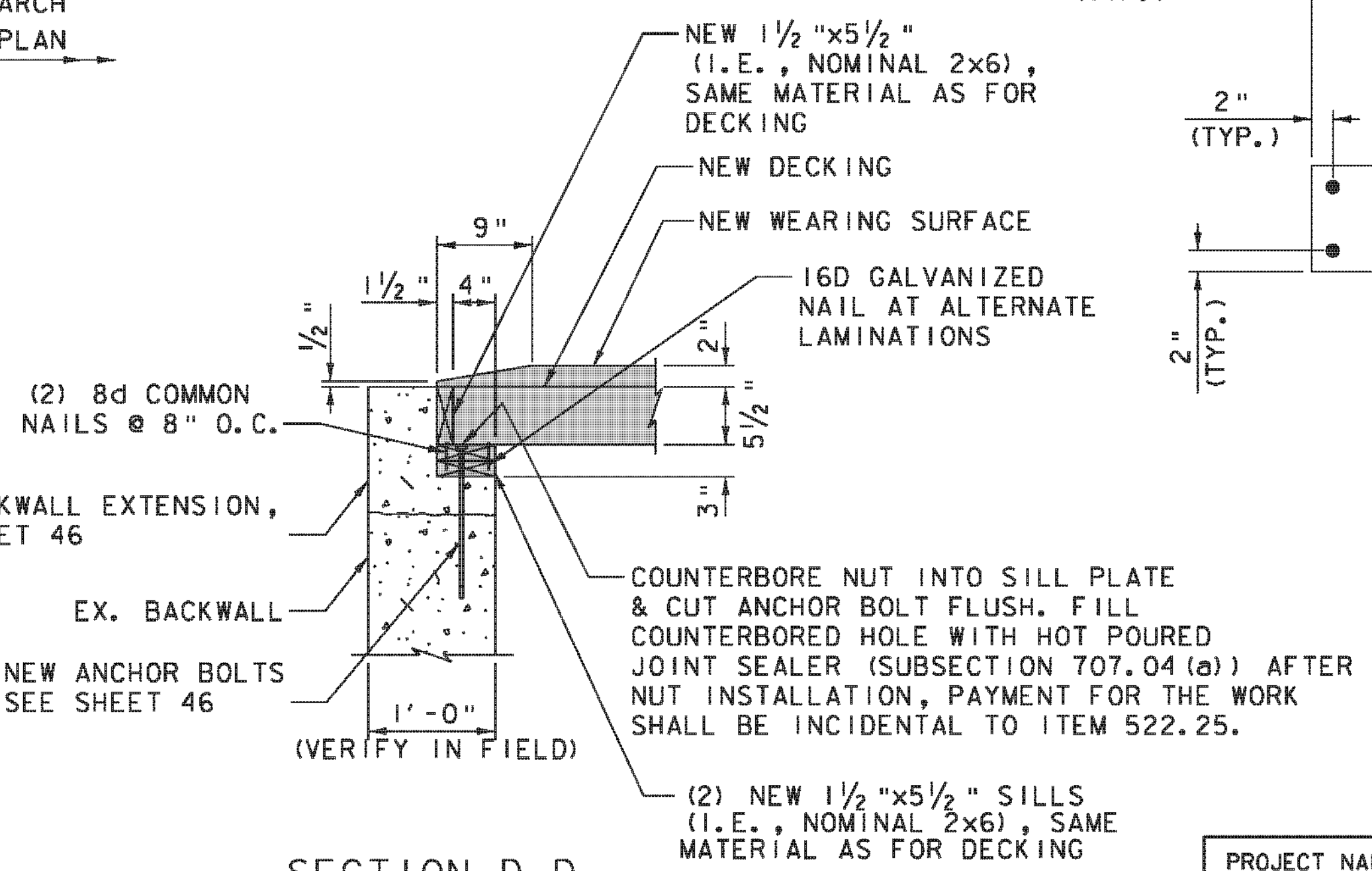
SECTION C-C
SCALE: 1/2" = 1'-0"



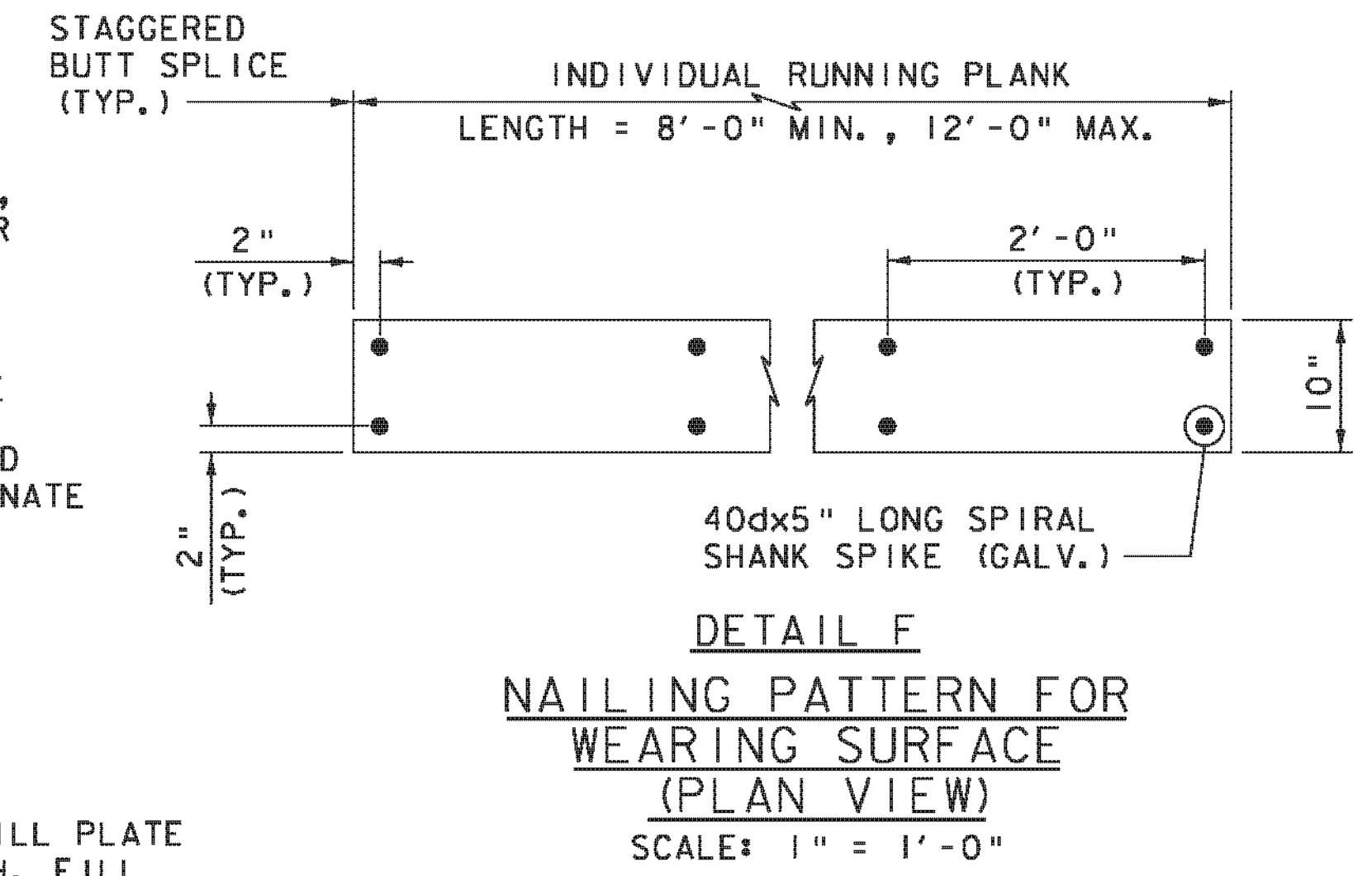
SECTION A-A
SCALE: 1" = 1'-0"



SECTION B-B
SCALE: 1" = 1'-0"



SECTION D-D
SCALE: 1" = 1'-0"



DETAIL F
NAILING PATTERN FOR WEARING SURFACE (PLAN VIEW)
SCALE: 1" = 1'-0"

LEGEND FOR DECK DETAILS:
[Symbol] PREDETERMINED MEMBERS TO BE REPLACED (SIZE TO MATCH EXISTING, UNLESS OTHERWISE NOTED)

PROJECT NAME:	CHARLOTTE
PROJECT NUMBER:	BHO 1445(34)
FILE NAME:	z06j088details_truss.dgn
PROJECT LEADER:	M.A. COLGAN
DESIGNED BY:	K.E. HILL
DECK PLAN	
PLOT DATE:	10/4/2012
DRAWN BY:	J.W. GOLEK
CHECKED BY:	M.A. COLGAN
SHEET	28 OF 55

