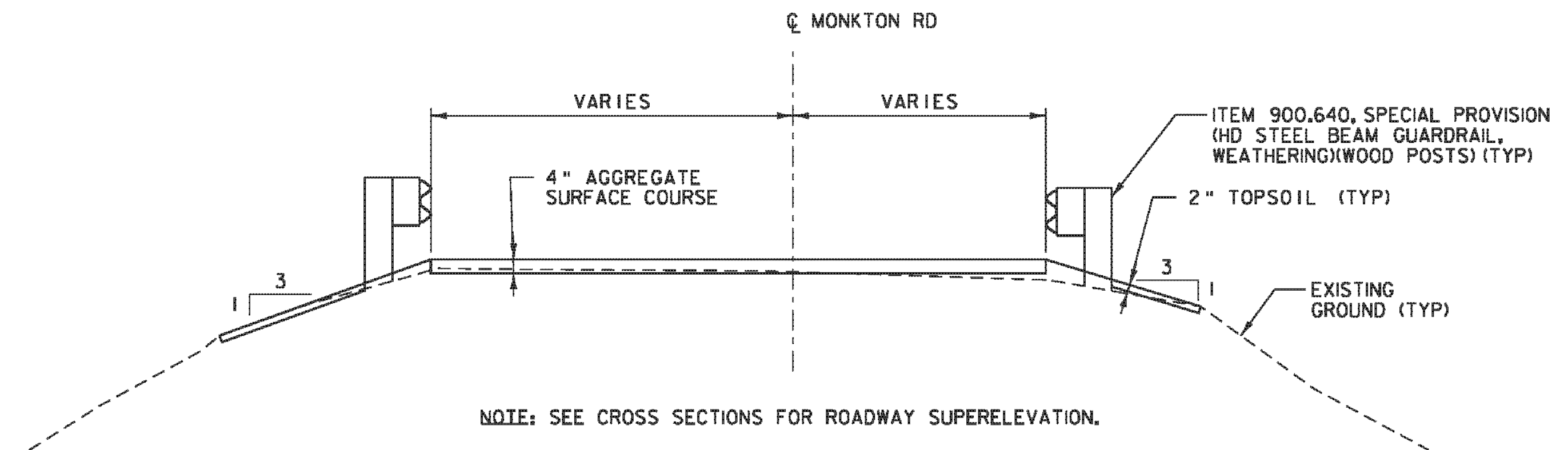
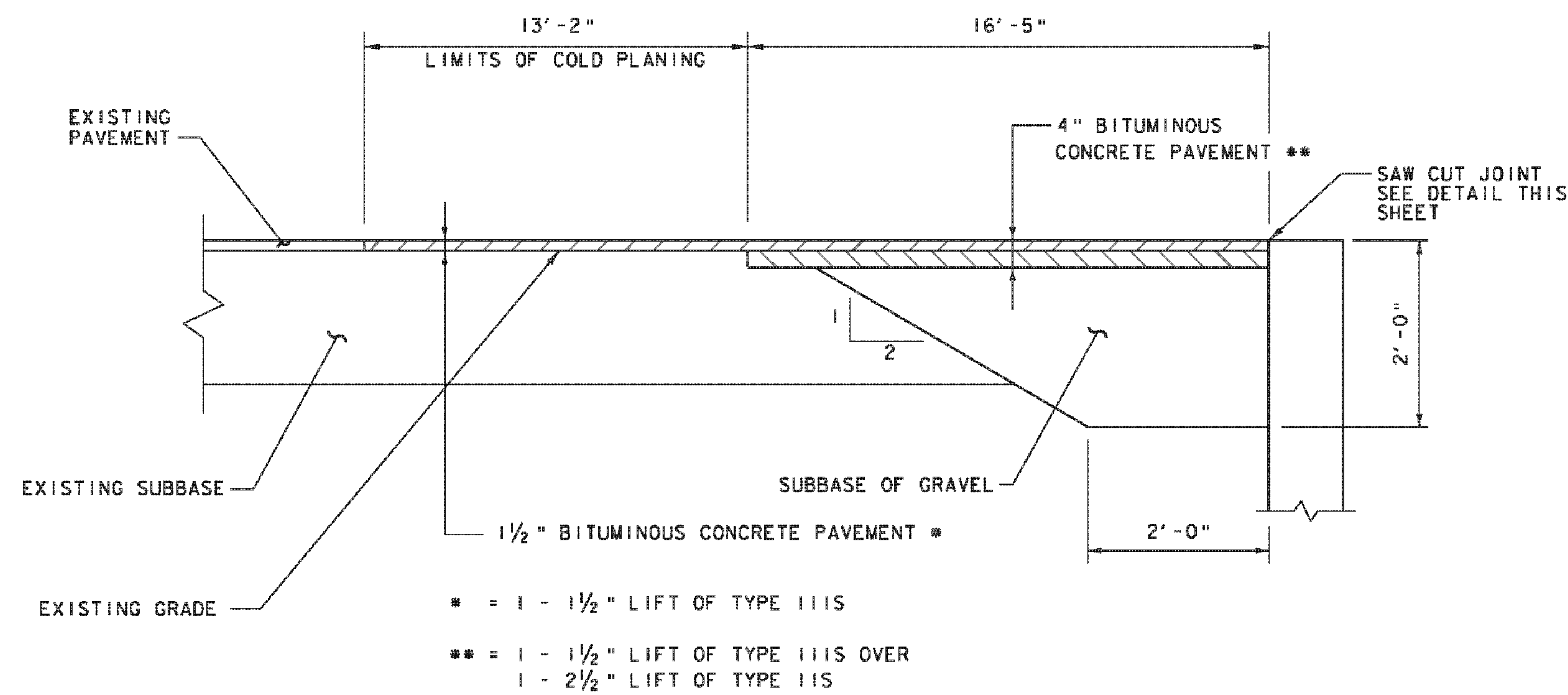


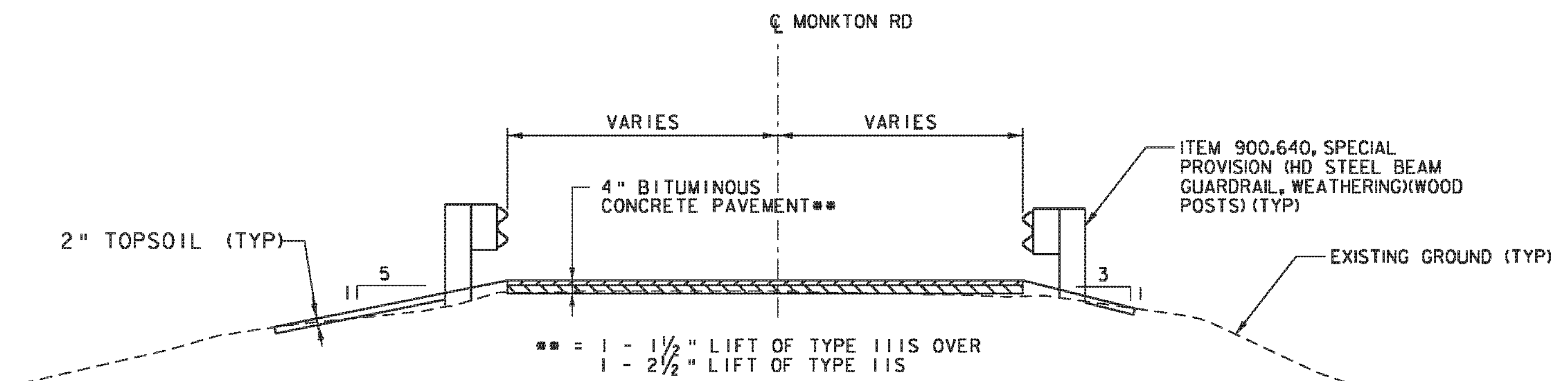
TYPICAL GRAVEL APPROACH SECTION
NOT TO SCALE



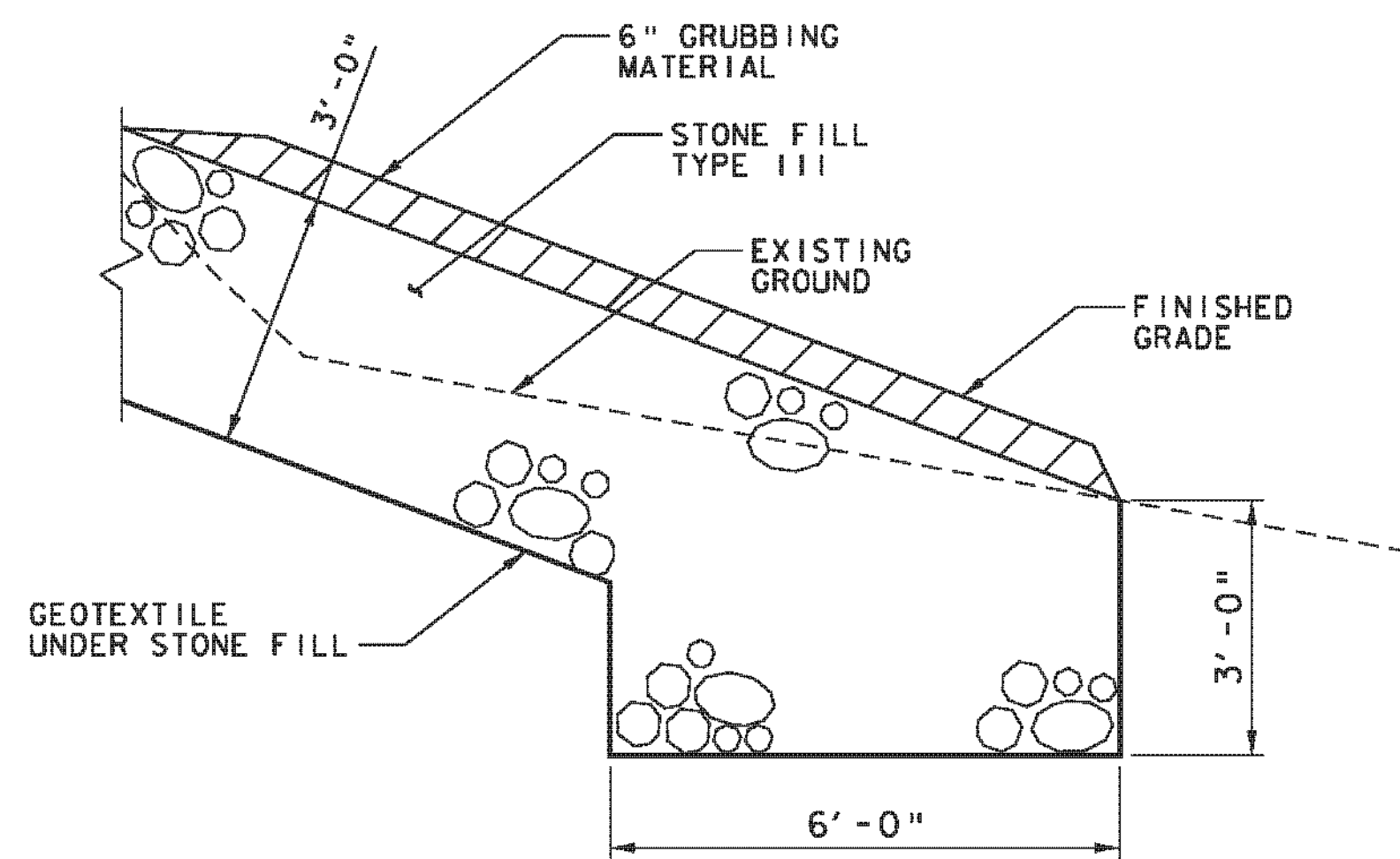
TYPICAL GRAVEL SECTION
SCALE 3/8" = 1'-0"



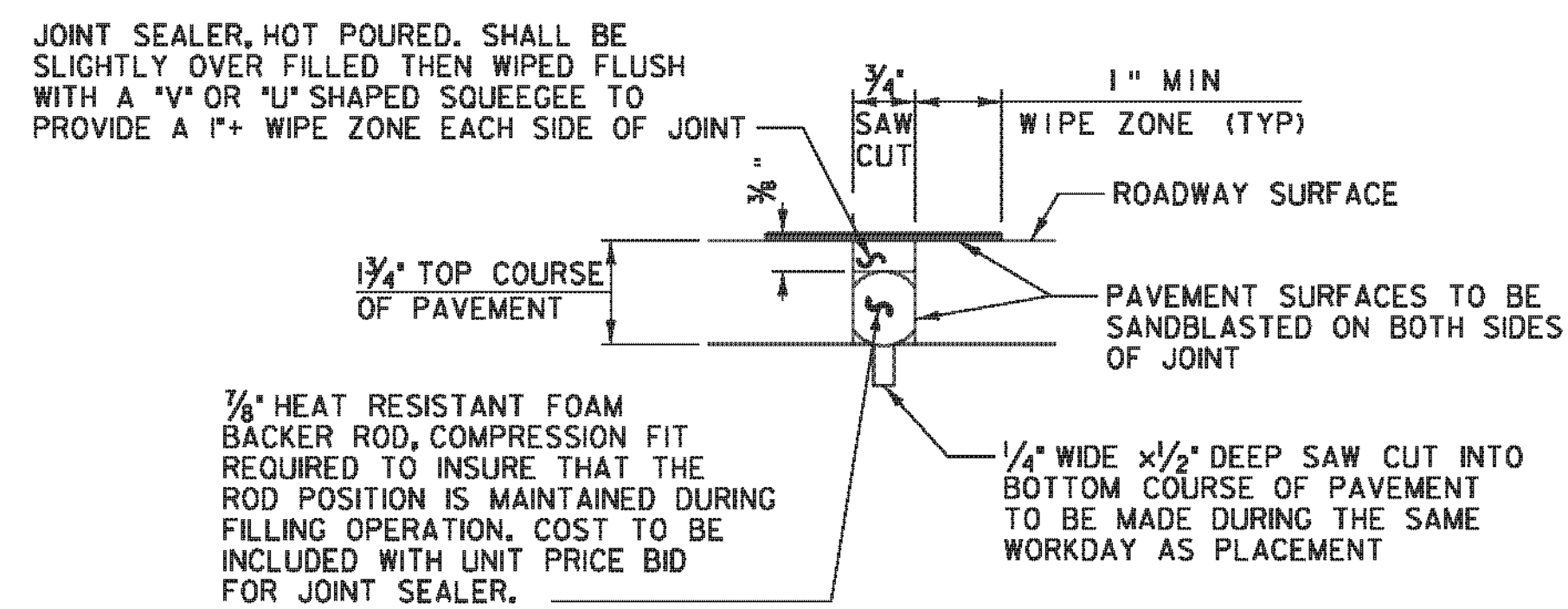
TYPICAL PAVED APPROACH SECTION
NOT TO SCALE



TYPICAL PAVED SECTION
SCALE 3/8" = 1'-0"



STONE FILL, TYPE III
TYPICAL KEY SECTION
SCALE 1/2" = 1'-0"



SAW CUT JOINT DETAIL
NOT TO SCALE

PROJECT NAME: CHARLOTTE
PROJECT NUMBER: BHO 1445(34)

FILE NAME: z06j088+yp.dgn
PROJECT LEADER: M.A. COLGAN
DESIGNED BY: B.O. CRONIN
TYPICAL ROADWAY SECTIONS

PLOT DATE: 10/4/2012
DRAWN BY: E.A. FIALA
CHECKED BY: S.E. BURBANK
SHEET 4 OF 55