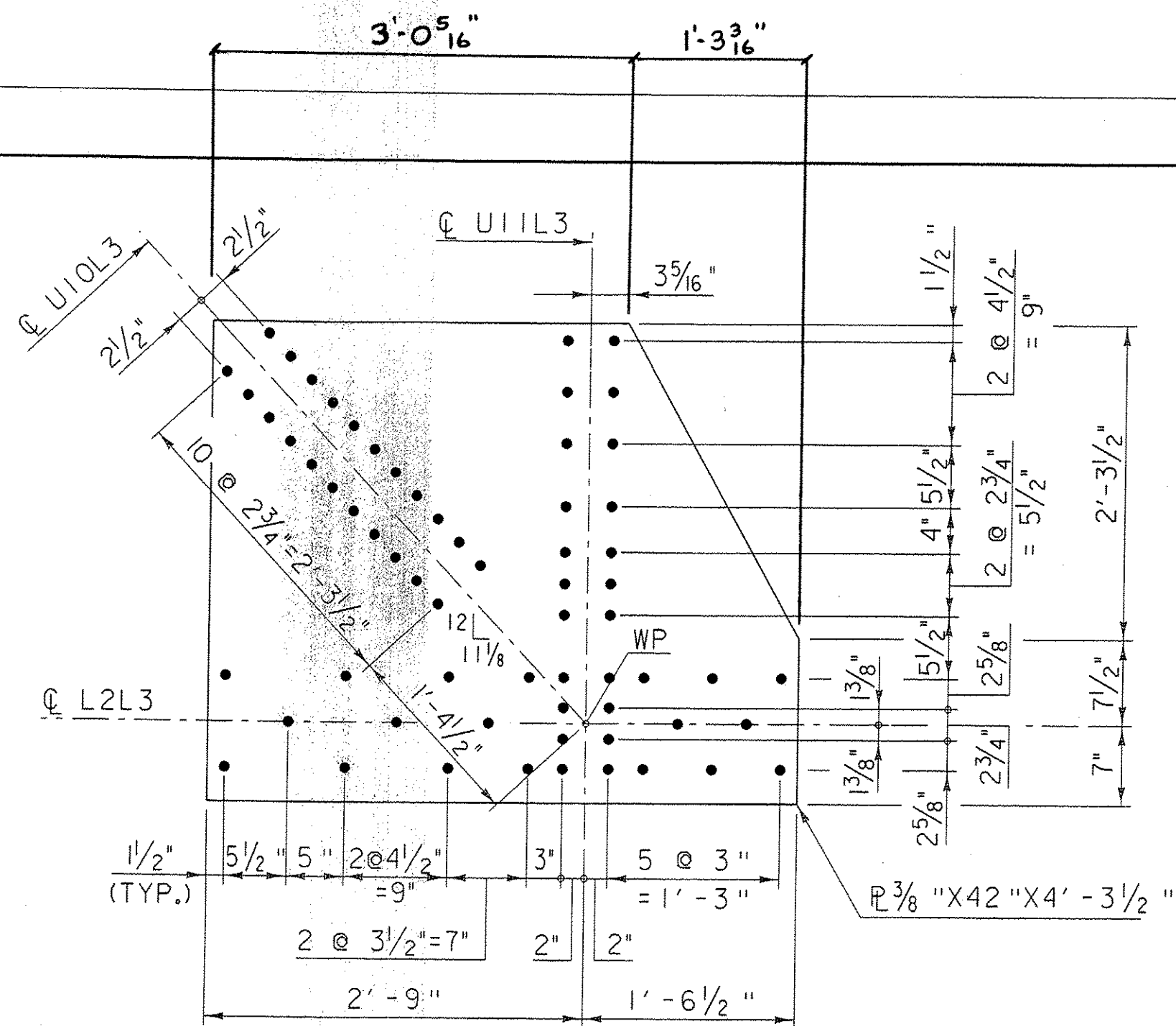
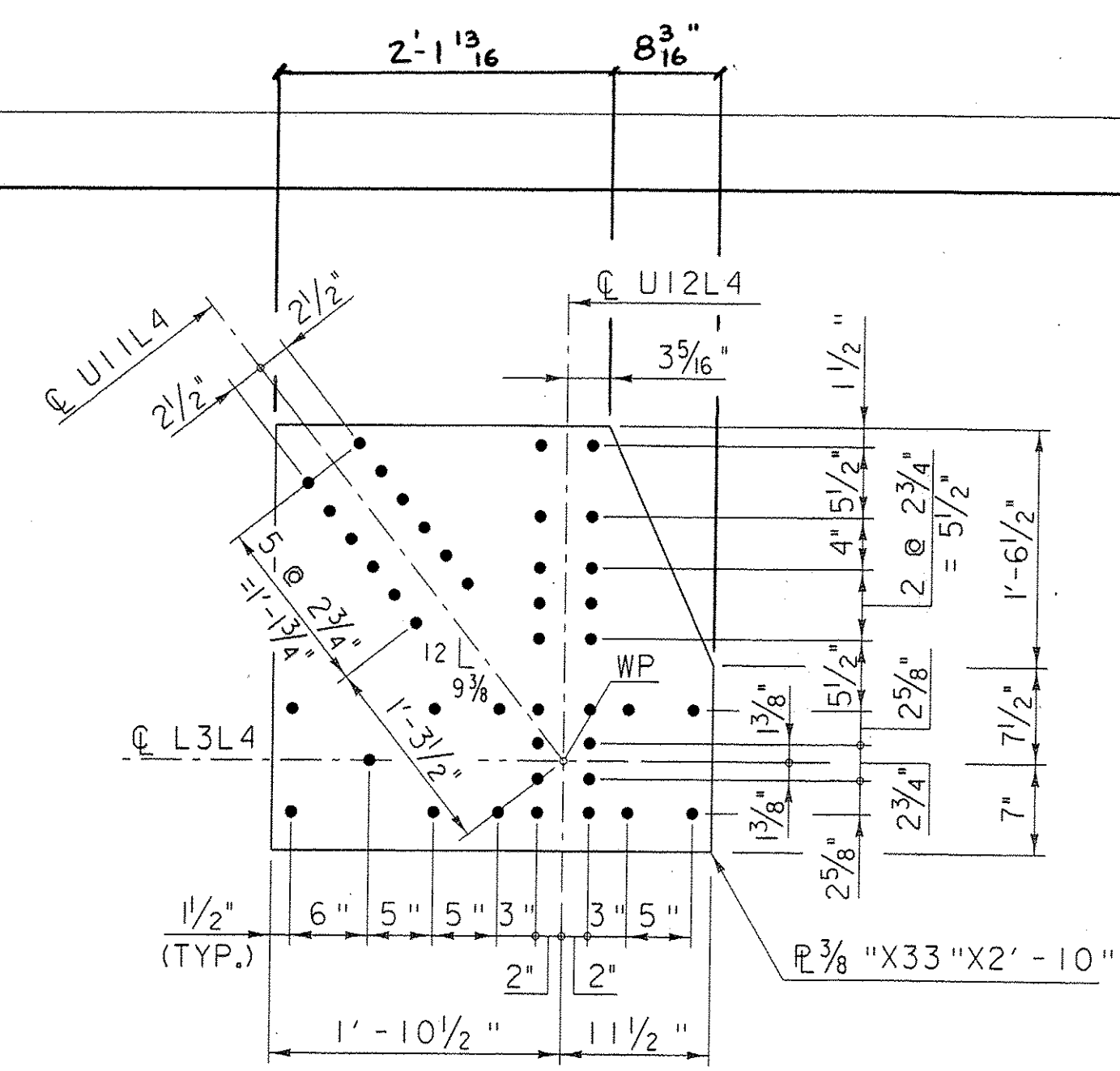


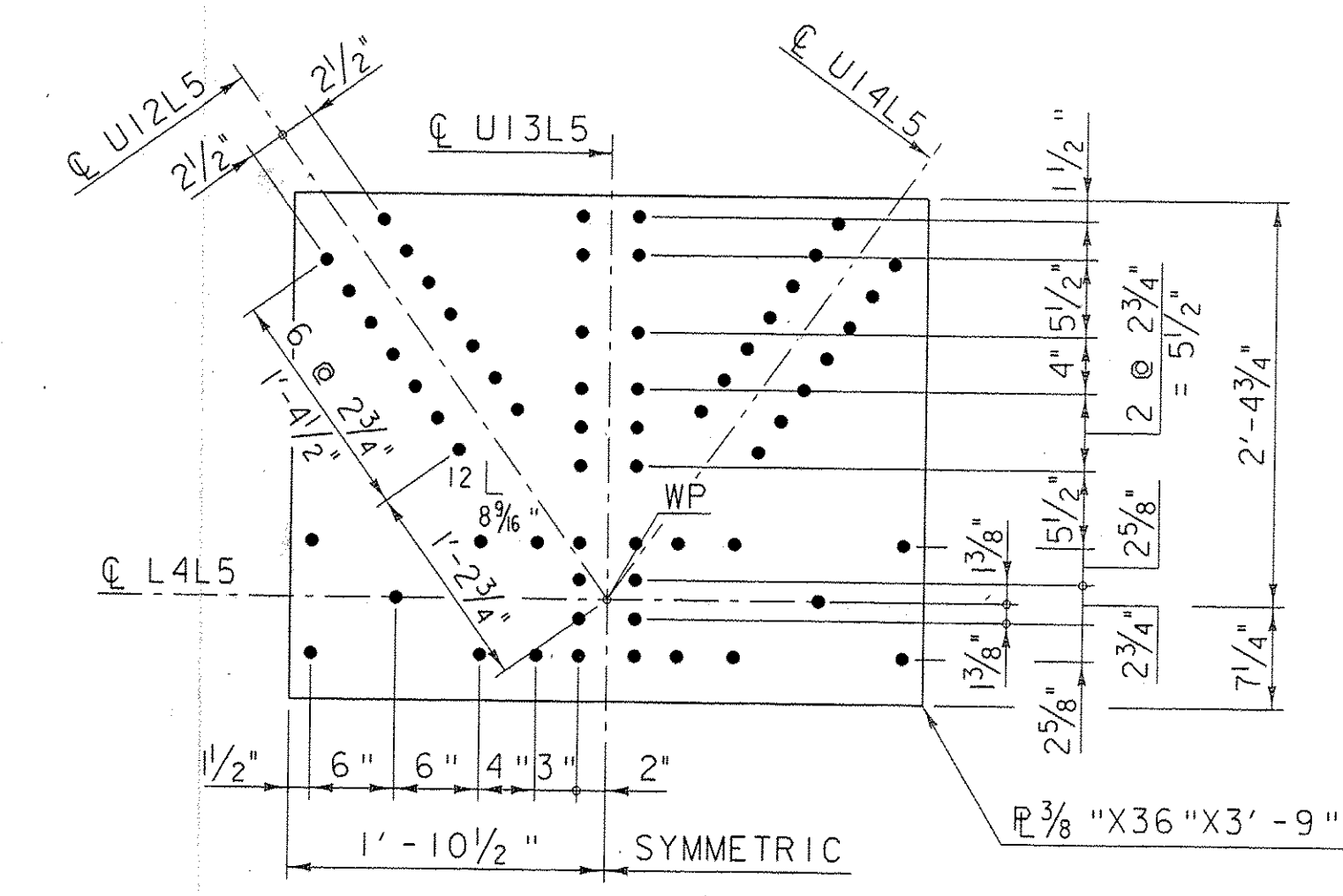
GUSSET PLATE G22  
(L2 SHOWN, L8 SIMILAR)  
SCALE 1" = 1'-0"



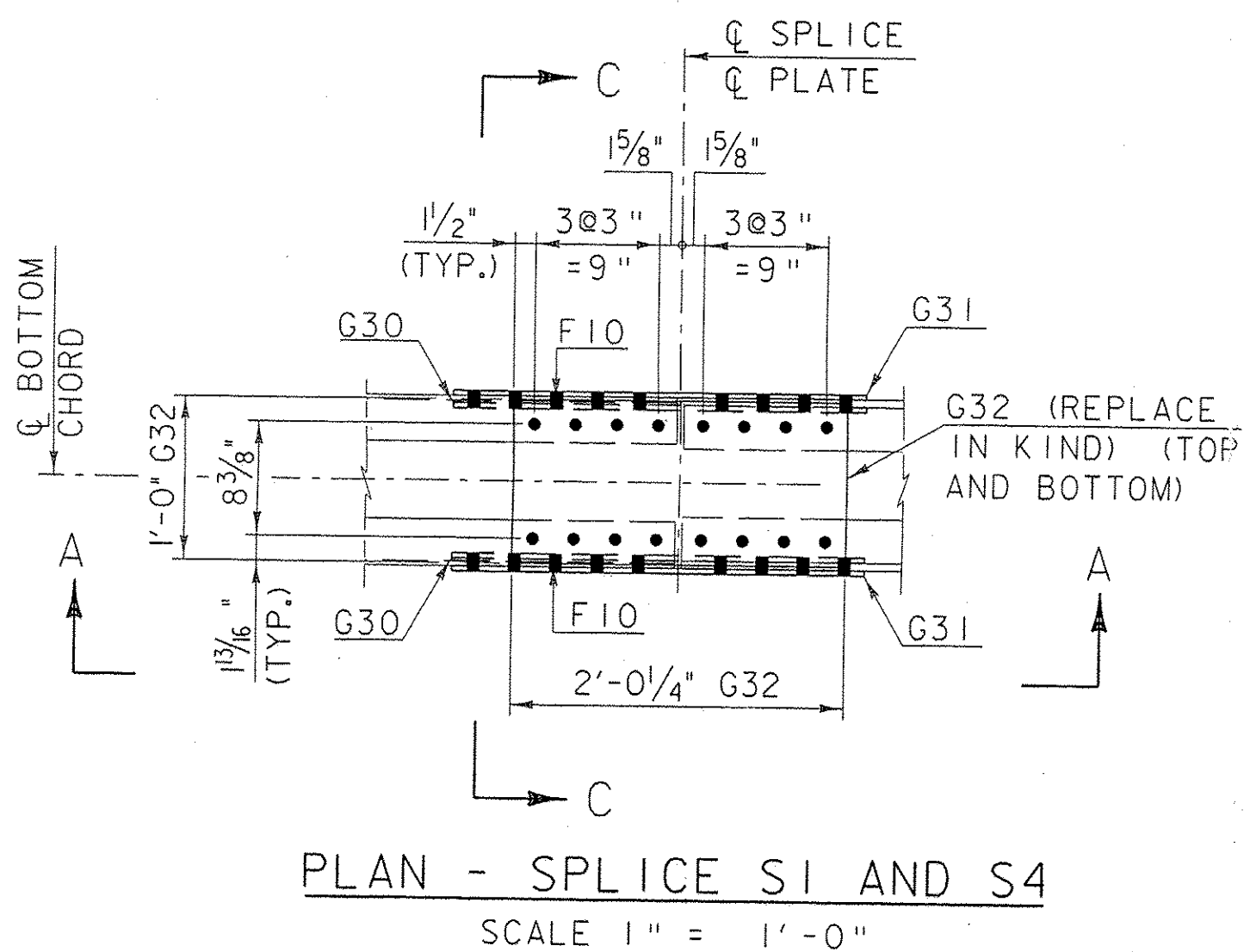
GUSSET PLATE G23  
(L3 SHOWN, L7 OPPOSITE HAND)  
SCALE 1" = 1'-0"



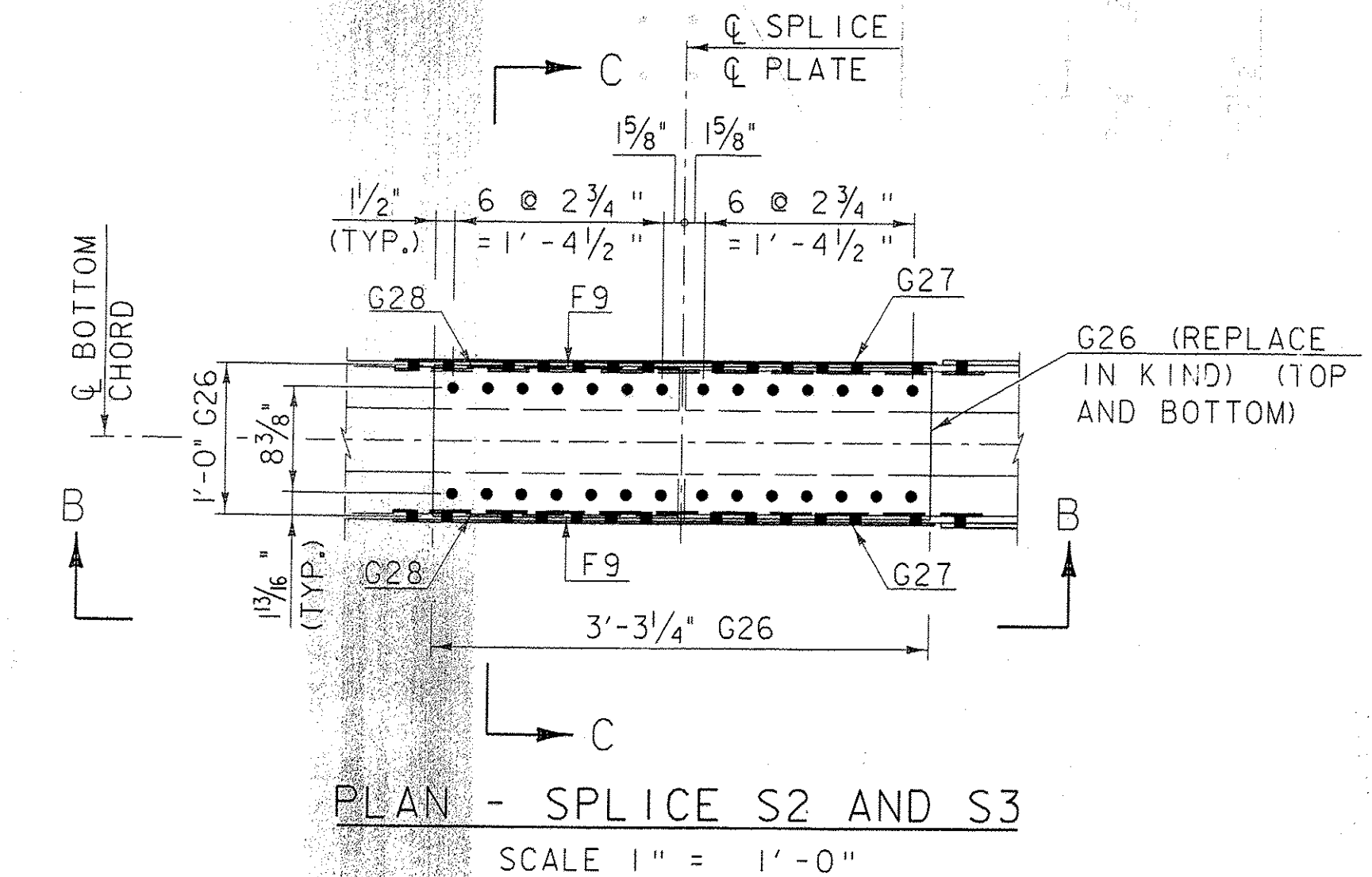
GUSSET PLATE G24  
(L4 SHOWN, L6 OPPOSITE HAND)  
SCALE 1" = 1'-0"



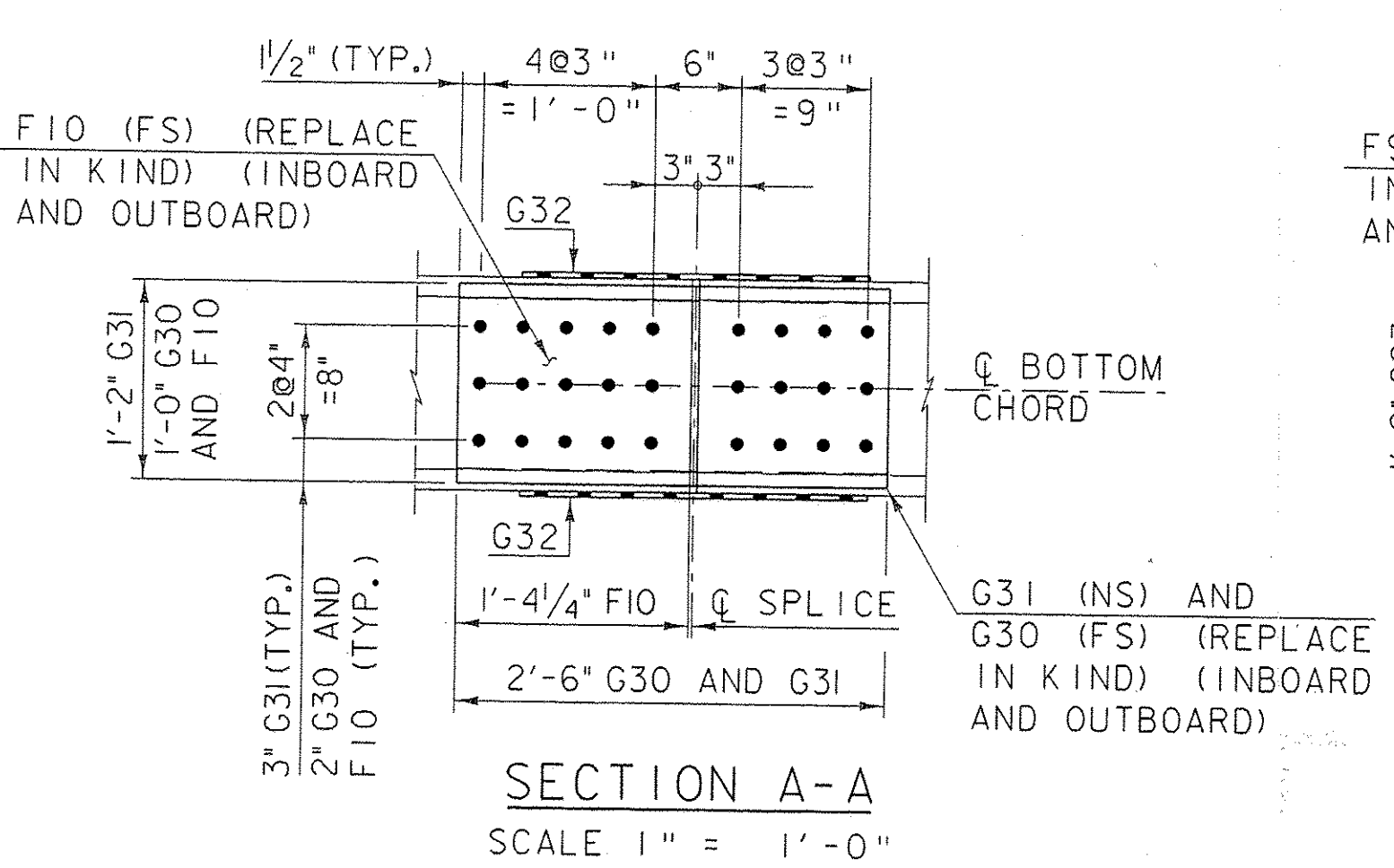
GUSSET PLATE G25  
SCALE 1" = 1'-0"



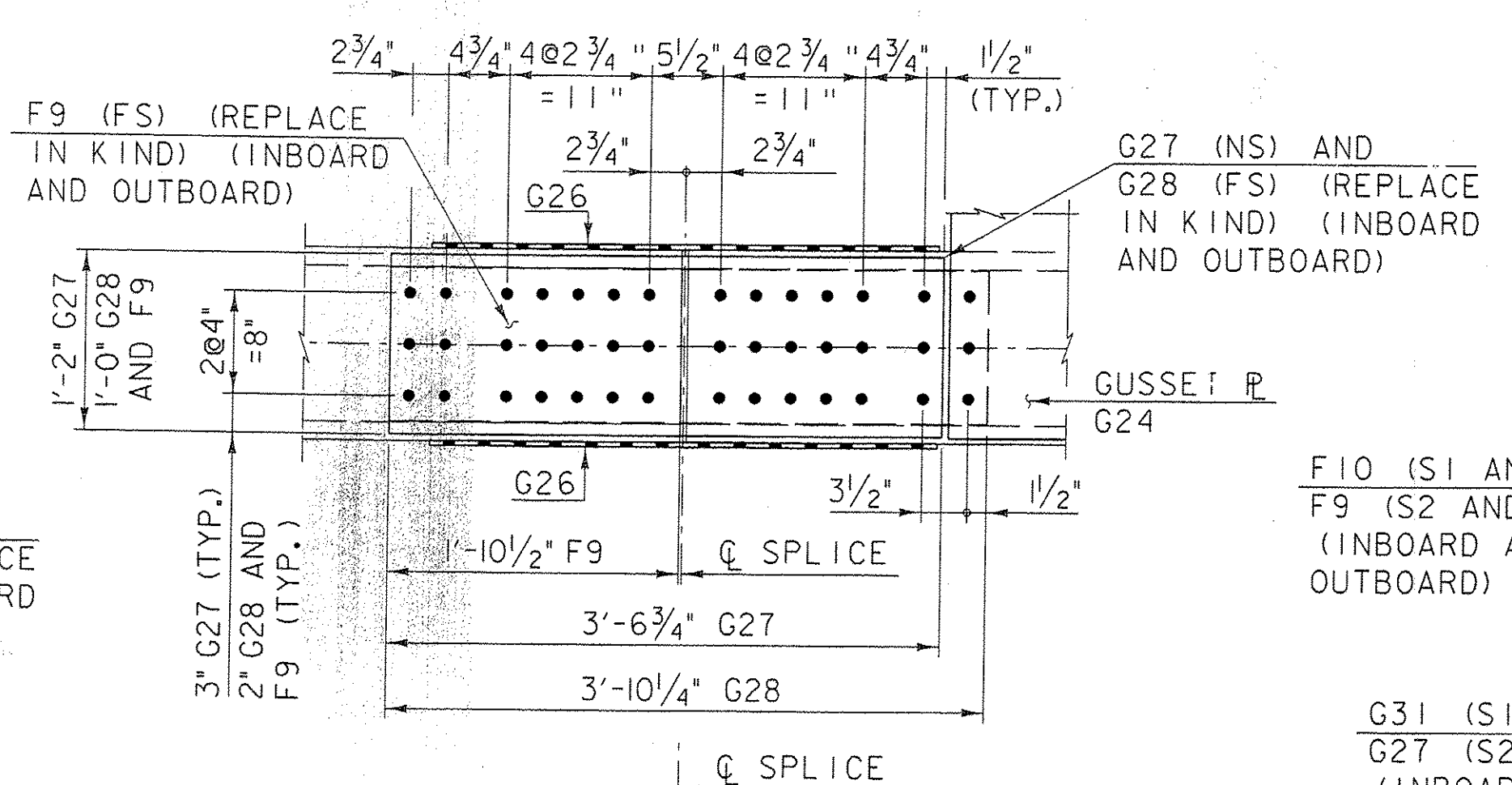
PLAN - SPLICE S1 AND S4  
SCALE 1" = 1'-0"



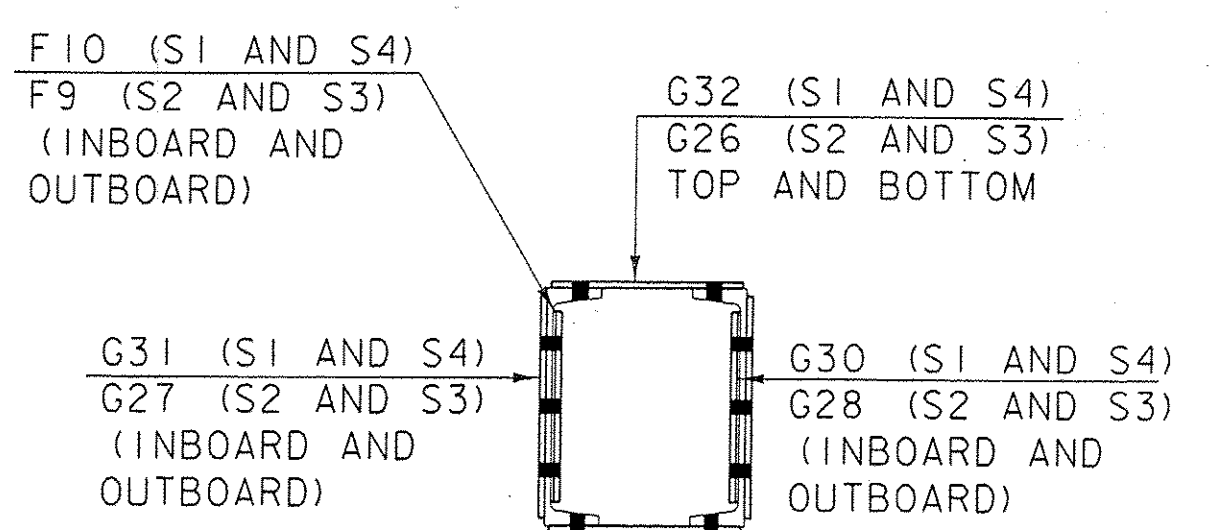
PLAN - SPLICE S2 AND S3  
SCALE 1" = 1'-0"



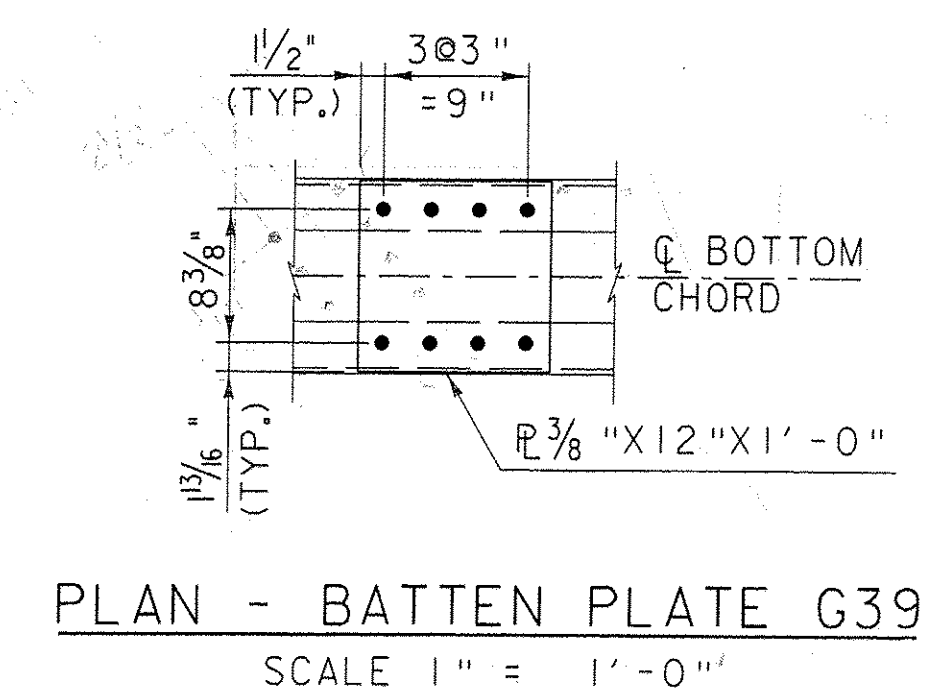
SECTION A-A  
SCALE 1" = 1'-0"



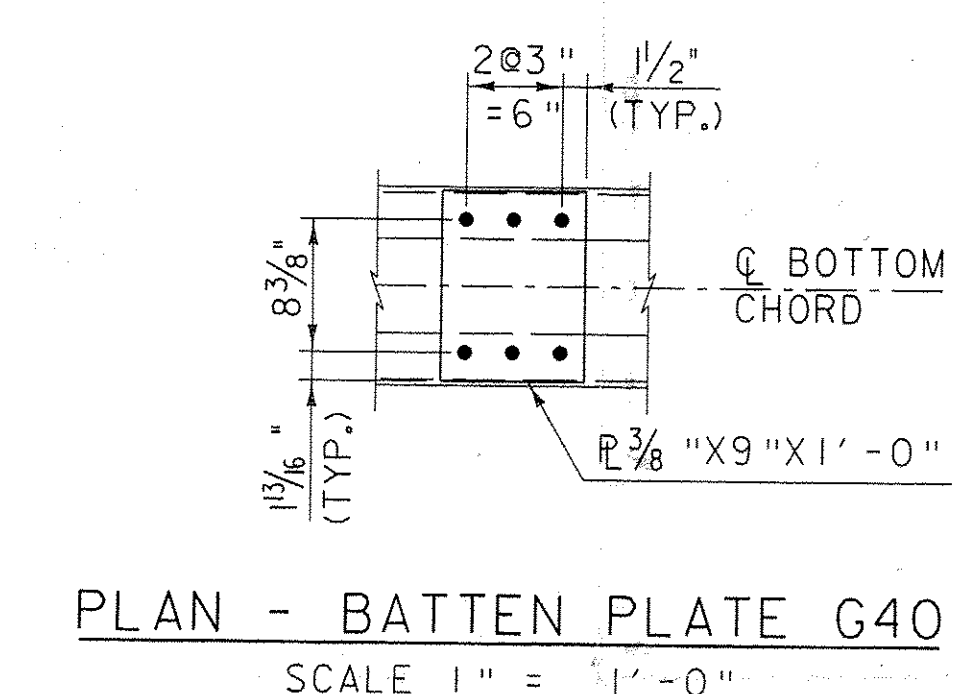
SECTION B-B  
SCALE 1" = 1'-0"



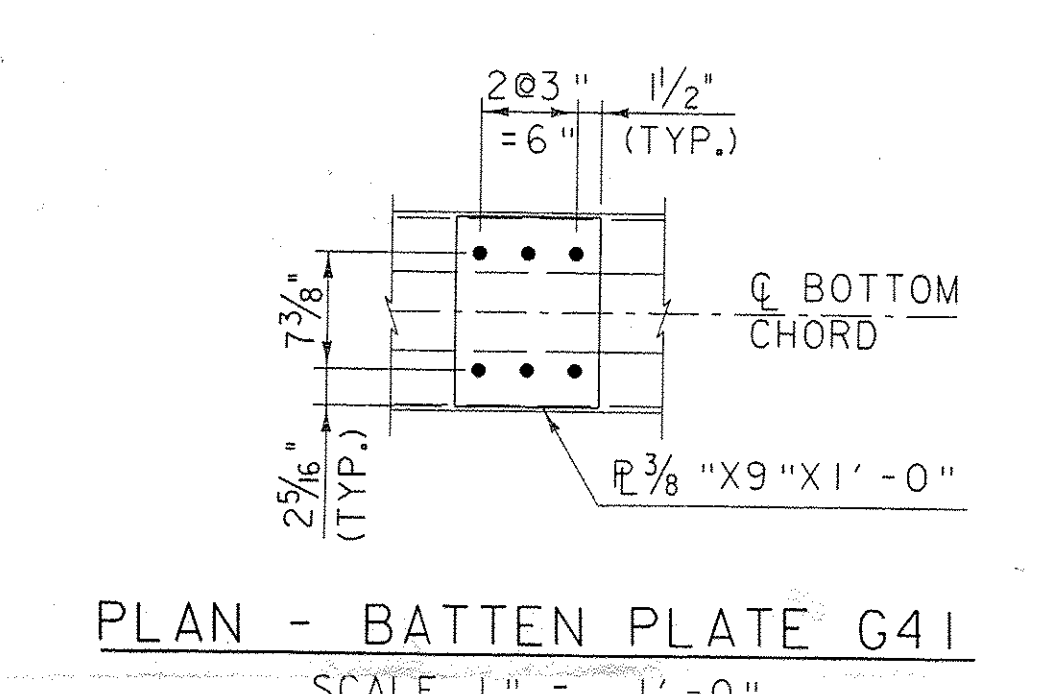
SECTION C-C  
SCALE 1" = 1'-0"



PLAN - BATTEN PLATE G39  
SCALE 1" = 1'-0"



PLAN - BATTEN PLATE G40  
SCALE 1" = 1'-0"



PLAN - BATTEN PLATE G41  
SCALE 1" = 1'-0"

ADDITIONAL REPAIR REQUIREMENTS (WEST TRUSS):

GUSSET PLATE - MEMBER G22: REPLACE INBOARD AT L8, 1-P<sup>3</sup>/<sub>8</sub>" X 15" X 3'-0"

ADDITIONAL REPAIR REQUIREMENTS (EAST TRUSS):

- GUSSET PLATE - MEMBER G22: REPLACE INBOARD AND OUTBOARD AT L2 AND L8, 4-P<sup>3</sup>/<sub>8</sub>" X 15" X 3'-0"
- GUSSET PLATE - MEMBER G23: REPLACE INBOARD AND OUTBOARD AT L3 AND L7, 4-P<sup>3</sup>/<sub>8</sub>" X 42" X 4'-3 1/2"
- GUSSET PLATE - MEMBER G24: REPLACE INBOARD AND OUTBOARD AT L4 AND L6, 4-P<sup>3</sup>/<sub>8</sub>" X 33" X 2'-10"
- GUSSET PLATE - MEMBER G25: REPLACE INBOARD AND OUTBOARD AT L5, 2-P<sup>3</sup>/<sub>8</sub>" X 36" X 3'-9"
- SPLICE PLATE - MEMBER G30: REPLACE INBOARD AND OUTBOARD AT S1 AND S4, 4-P<sup>3</sup>/<sub>8</sub>" X 12" X 2'-6"
- SPLICE PLATE - MEMBER G31: REPLACE INBOARD AND OUTBOARD AT S1 AND S4, 4-P<sup>3</sup>/<sub>8</sub>" X 14" X 2'-6"
- FILL PLATE - MEMBER F10: REPLACE INBOARD AND OUTBOARD AT S1 AND S4, 4-P<sup>3</sup>/<sub>8</sub>" X 12" X 1'-4 1/4"
- SPLICE PLATE - MEMBER G32: REPLACE TOP AND BOTTOM AT S1 AND S4, 5-P<sup>3</sup>/<sub>8</sub>" X 12" X 2'-0 1/4"
- SPLICE PLATE - MEMBER G26: REPLACE TOP AND BOTTOM AT S2 AND S3, 5-P<sup>3</sup>/<sub>8</sub>" X 12" X 3'-3 1/4"
- SPLICE PLATE - MEMBER G27: REPLACE INBOARD AND OUTBOARD AT S2 AND S3, 4-P<sup>3</sup>/<sub>8</sub>" X 14" X 3'-6 3/4"
- FILL PLATE - MEMBER F9: REPLACE INBOARD AND OUTBOARD AT S2 AND S3, 4-P<sup>3</sup>/<sub>8</sub>" X 12" X 1'-10 1/2"
- SPLICE PLATE - MEMBER G28: REPLACE INBOARD AND OUTBOARD AT S2 AND S3, 4-P<sup>3</sup>/<sub>8</sub>" X 12" X 3'-10 1/4"
- BATTEN PLATE - MEMBER G39: REPLACE TOP AND BOTTOM AS REQUIRED, 4-P<sup>3</sup>/<sub>8</sub>" X 12" X 1'-0"
- BATTEN PLATE - MEMBER G40: REPLACE TOP AND BOTTOM AS REQUIRED, 15-P<sup>3</sup>/<sub>8</sub>" X 9" X 1'-0"
- BATTEN PLATE - MEMBER G41: REPLACE TOP AND BOTTOM AS REQUIRED, 10-P<sup>3</sup>/<sub>8</sub>" X 12" X 1'-0"

HOLES = 15  $\phi$

Shop: 5-18-10  
Shop: 5-24-10

<b>Casco Bay Steel Structures, Inc.</b>		
TELEPHONE (207) 282-7360	75 Spring Hill Road Saco, Maine 04072	FAX (207) 282-1179
CUSTOMER: WINTENSET, INC.	A/E: CHA	
PROJECT: TH9-TAYLOR STREET BRIDGE NO 5 MONTPELIER, VERMONT	DATE: 5-11-10	SKETCH NO.: 512
	JOB NO.: 43A	S.O. NO.:
	DRAWN BY: J.S.S.	WANTED:
	PAINT: SSPC-SP10 AND CARBOLINE 859 3-5 MILS DFT	



FILE NAME: \$FILES\$  
PROJECT MANAGER: SUSAN SCRIBNER  
DESIGNED BY: D.D'AMATO  
BRIDGE DESIGN SUPERVISOR: P. HALSTEAD

PLOT DATE: 5/10/2010  
DRAWN BY: D.D'AMATO  
CHECKED BY: P. PERKINS  
SHEET 31A OF 63

FILE NAME: K:\145085\casco\plans\csl45006.edditional.steel.l.dgn  
DATE/TIME: 5/10/2010 11:25:52