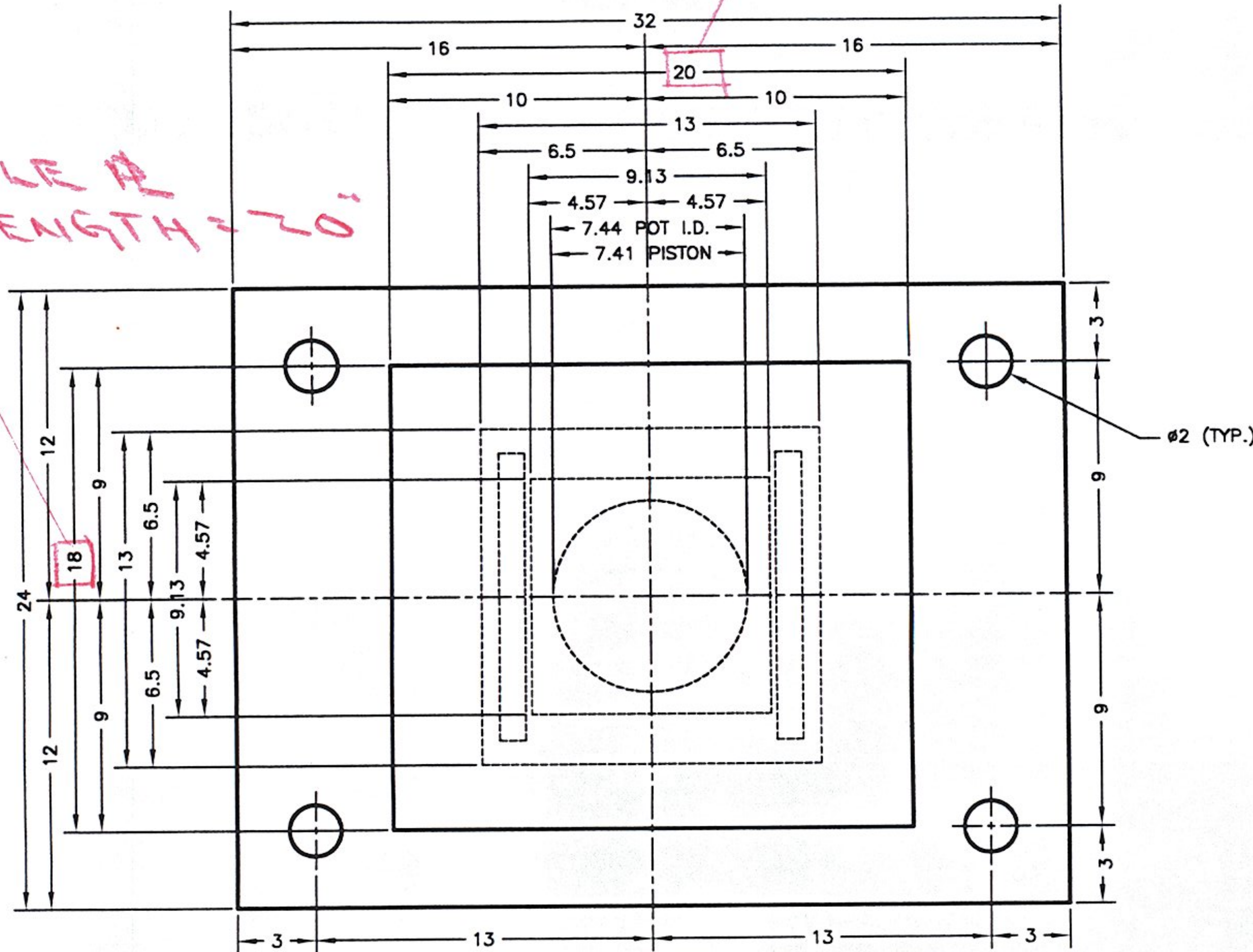
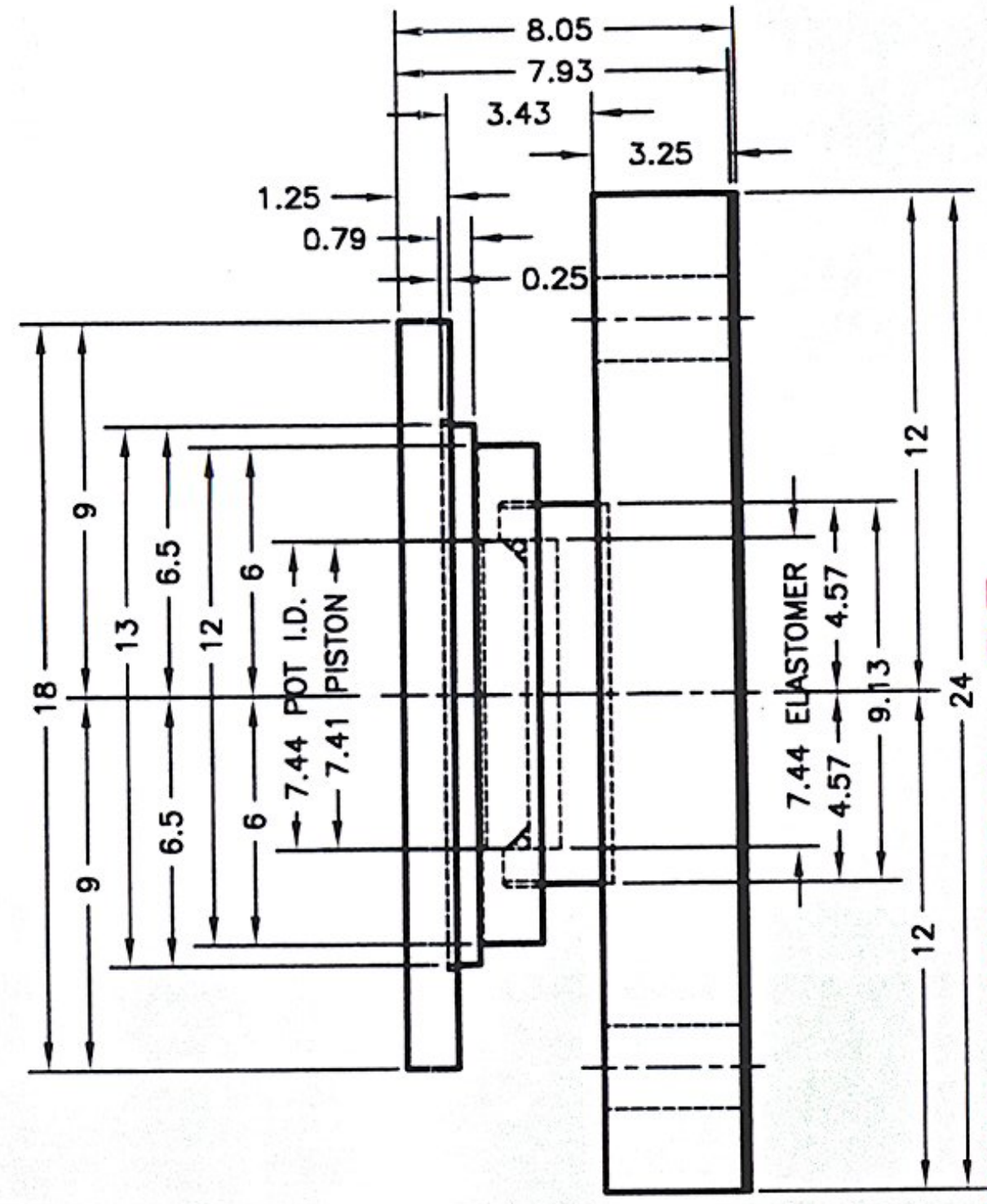


SOLE PLATE
WIDTH = 18"

SOLE PLATE
LENGTH = 20"

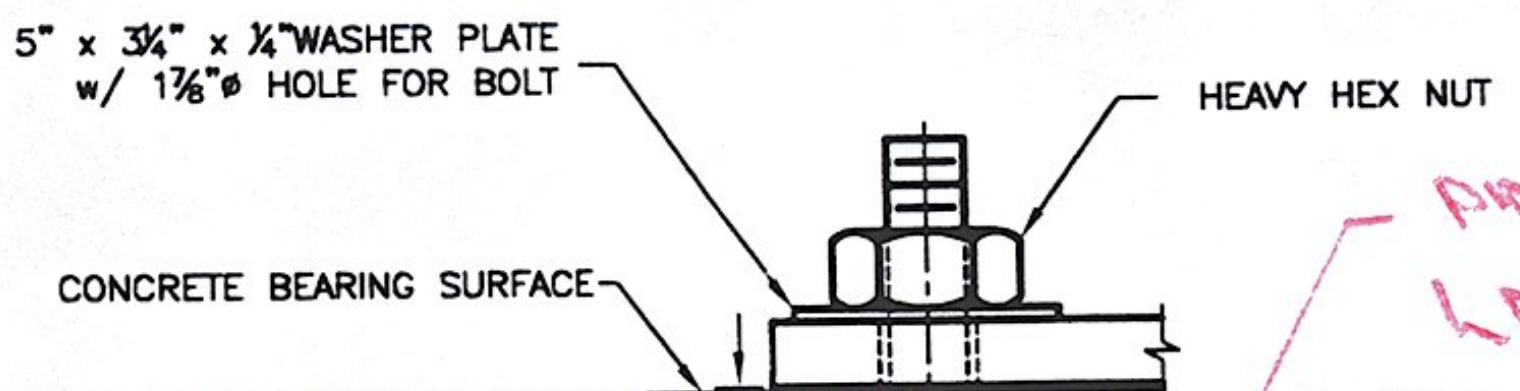


PLAN VIEW



SIDE VIEW

REVISIONS				
ZONE	REV	DESCRIPTION	DATE	APPROVED



NO EXCEPTIONS TAKEN
 REJECTED
 SUBMIT SPECIFIED ITEM
 MAKE CORRECTIONS NOTED
 RESUBMIT
 BEARING PAD SUBMIT

CHECKING IS ONLY FOR GENERAL CONFORMANCE WITH THE DESIGN CONCEPT OF THE PROJECT AND GENERAL COMPLIANCE WITH THE INFORMATION GIVEN IN THE CONTRACT DOCUMENTS. ANY ACTION SHOWN IS SUBJECT TO THE REQUIREMENTS OF THE PLANS AND SPECIFICATIONS. CONTRACTOR IS RESPONSIBLE FOR DIMENSIONS WHICH SHALL BE CONFIRMED AND CORRELATED AT THE JOB SITE. FABRICATION PROCESSES AND TECHNIQUES OF CONSTRUCTION, COORDINATION OF HIS WORK WITH THAT OF ALL OTHER TRADES AND THE SATISFACTORY PERFORMANCE OF THE WORK.

DATE 2/26/10 BY [Signature]

ANCHOR BOLT DETAIL
QTY. REQ'D = 8, 4 PER BEARING

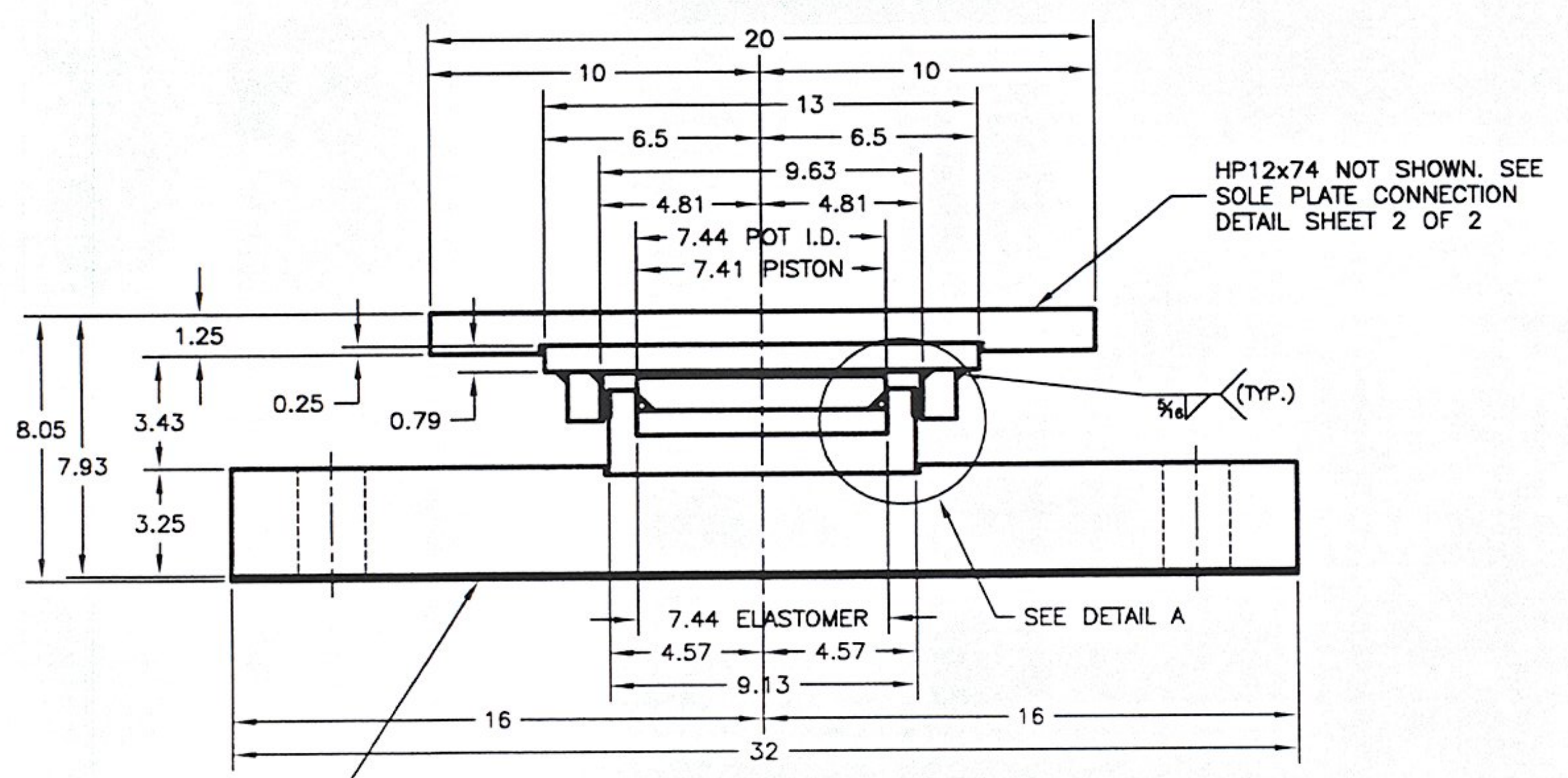
PROVIDE EMB. LENGTH + PROJECTION TO ENSURE ADEQUATE GRIP.

RECEIVED

CK'D BY _____ OK'D BY _____

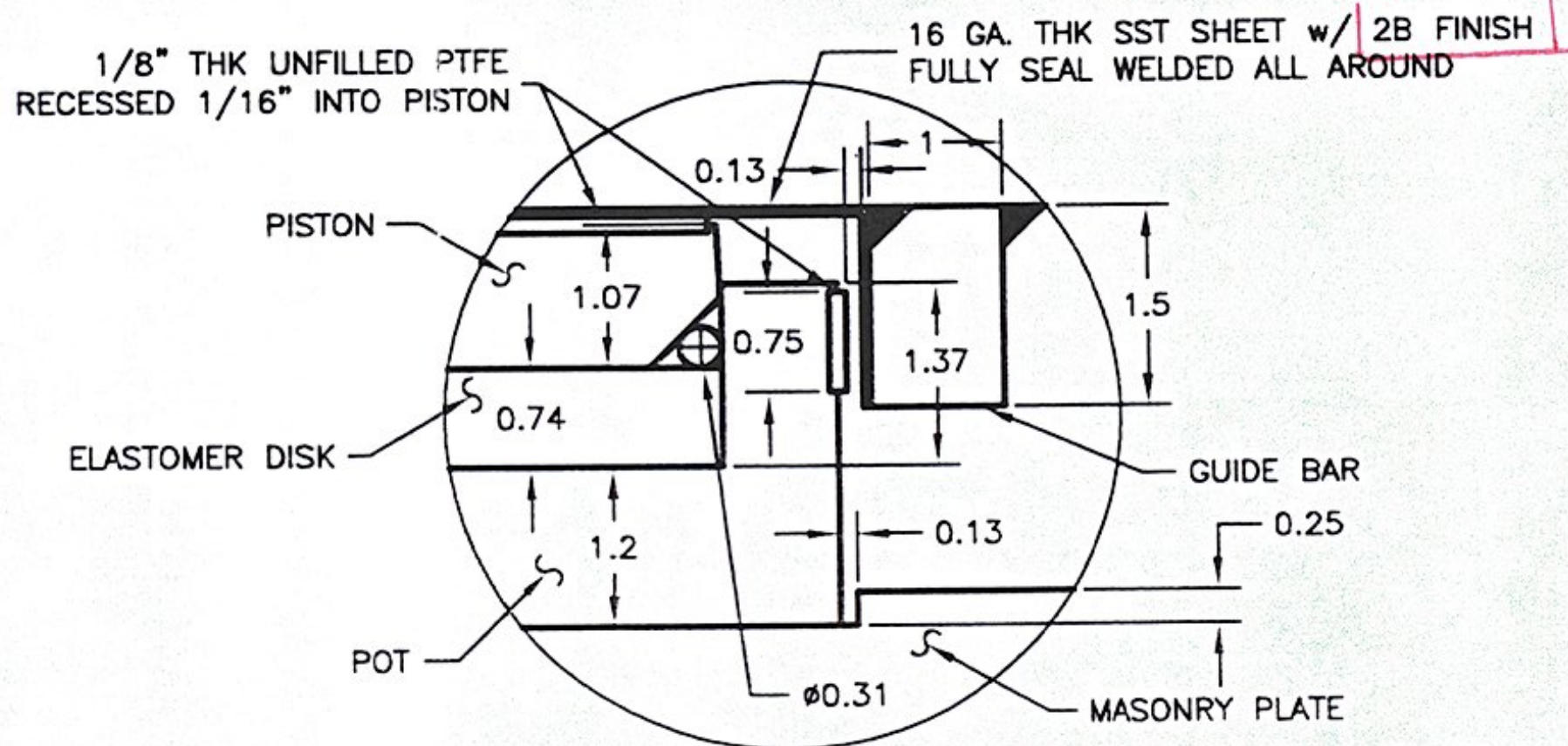
FINISH IN ACCORDANCE WITH 731.05
 FEB 01 2010

RESUBMIT _____ APPROVED _____
 BY _____ DATE _____



ELEVATION VIEW

GUIDED TYPE @ ABUTMENT 2
 QTY. REQ'D = 2
 ITEM NO. 531.1200
 VERTICAL CAPACITY = 150 KIPS
 HORIZONTAL CAPACITY = 14 KIPS



DETAIL -A-

OR ONLY TOTAL LOADS = 209K

OR 10% OF VERTICAL LOAD IN ACCORDANCE W/ 531.04 (h)

VERMONT AGENCY OF TRANSPORTATION
 CITY OF MONTPELIER
 PROJECT NO. BHF 6400(31)

GUIDED EXPANSION POT BEARING DETAIL

AMSCOT
 STRUCTURAL PRODUCTS CORP.
 DOVER, NJ JOB # 3371

SCALE: N.T.S.	CHECKED: B.F.	DRAWN BY: C.A.M.
DATE: 1/25/10	REVISION: 0	

FOR WINTERSET INC. SHEET NO. 1 OF 2