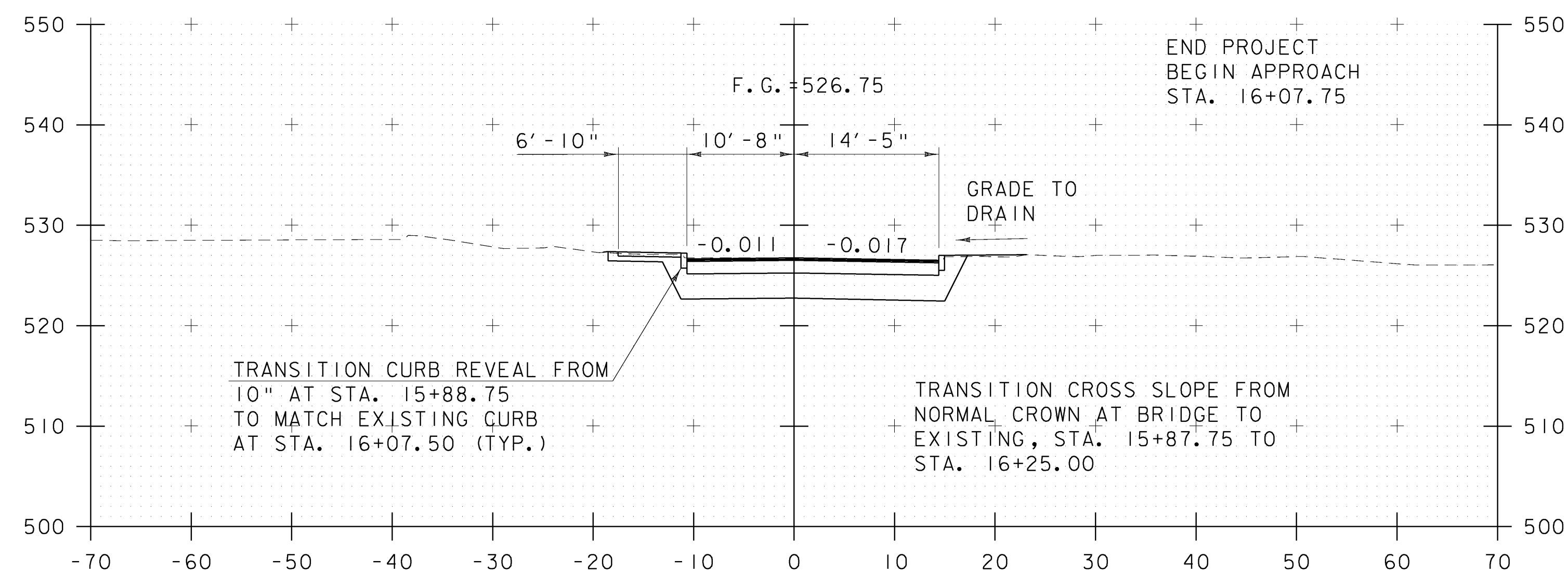


16+30



16+00

CROSS SECTIONS (3)

PROJECT NAME: MONTPELIER  
PROJECT NUMBER: BHF 6400(31)

FILE NAME: \$FILES\$  
PROJECT MANAGER: SUSAN SCRIBNER  
DESIGNED BY: D. D'AMATO  
BRIDGE DESIGN SUPERVISOR: P. HALSTEAD

PLOT DATE: 10/12/2009  
DRAWN BY: D. D'AMATO  
CHECKED BY: P. PERKINS  
SHEET 48 OF 63

