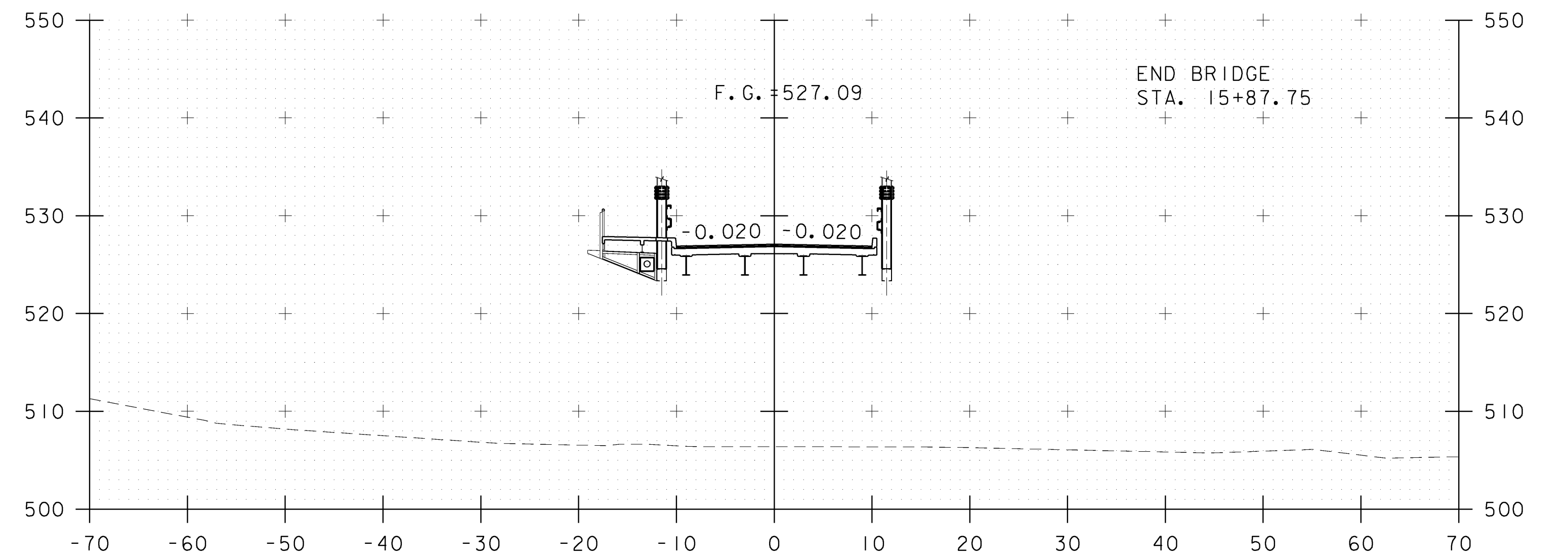
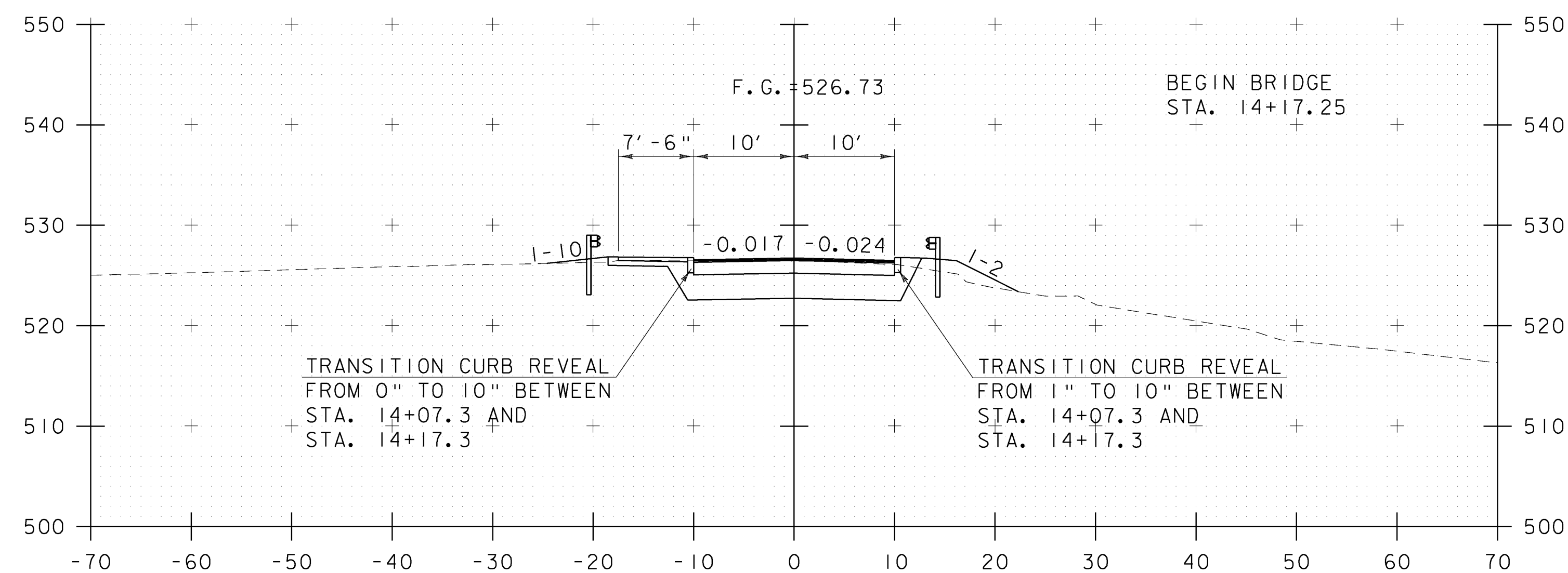


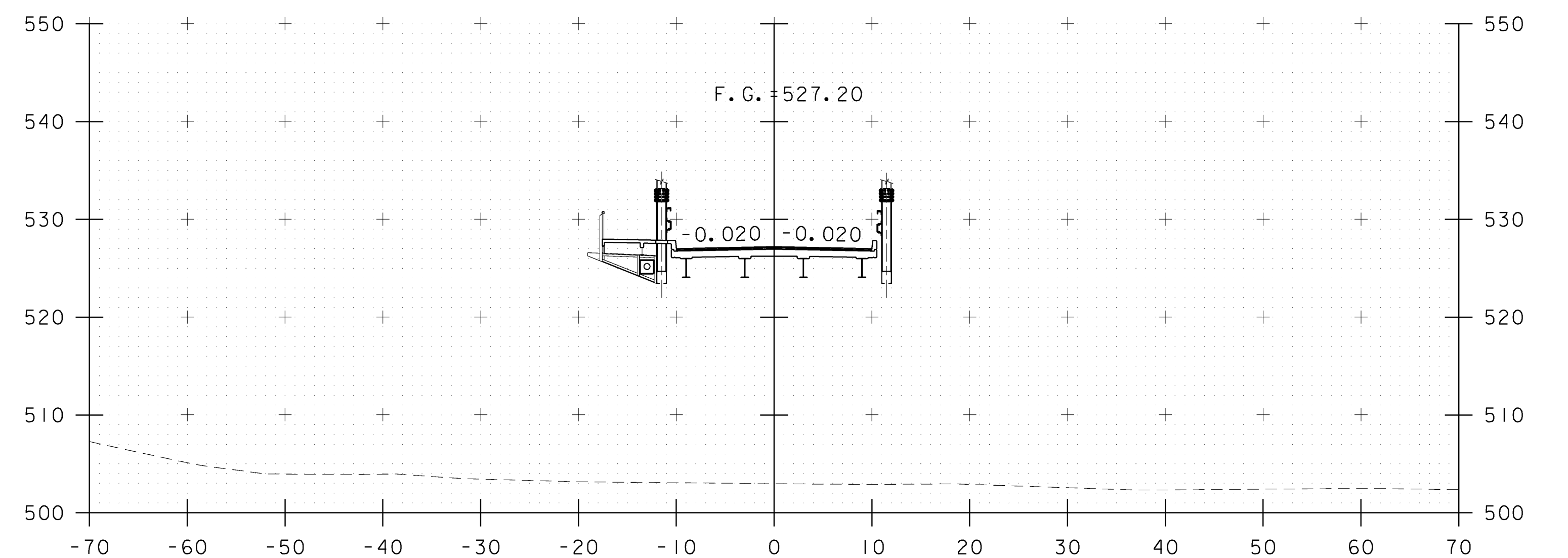
14+50



15+50



14+10



15+00

CROSS SECTIONS (2)

PROJECT NAME: MONTPELIER
PROJECT NUMBER: BHF 6400(31)

FILE NAME: \$FILES\$
PROJECT MANAGER: SUSAN SCRIBNER
DESIGNED BY: D. D'AMATO
BRIDGE DESIGN SUPERVISOR: P. HALSTEAD

PLOT DATE: 10/12/2009
DRAWN BY: D. D'AMATO
CHECKED BY: P. PERKINS
SHEET 47 OF 63

