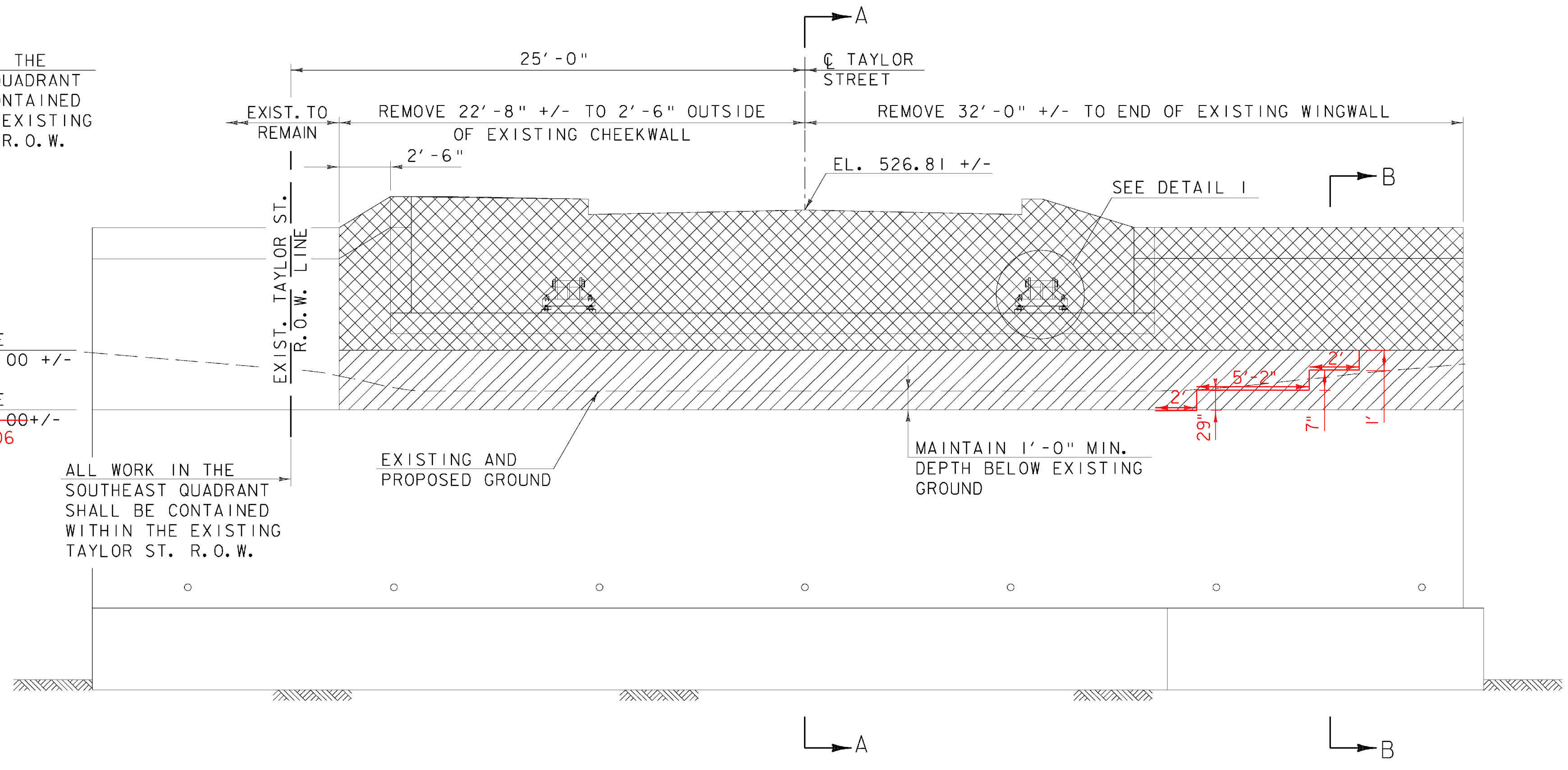


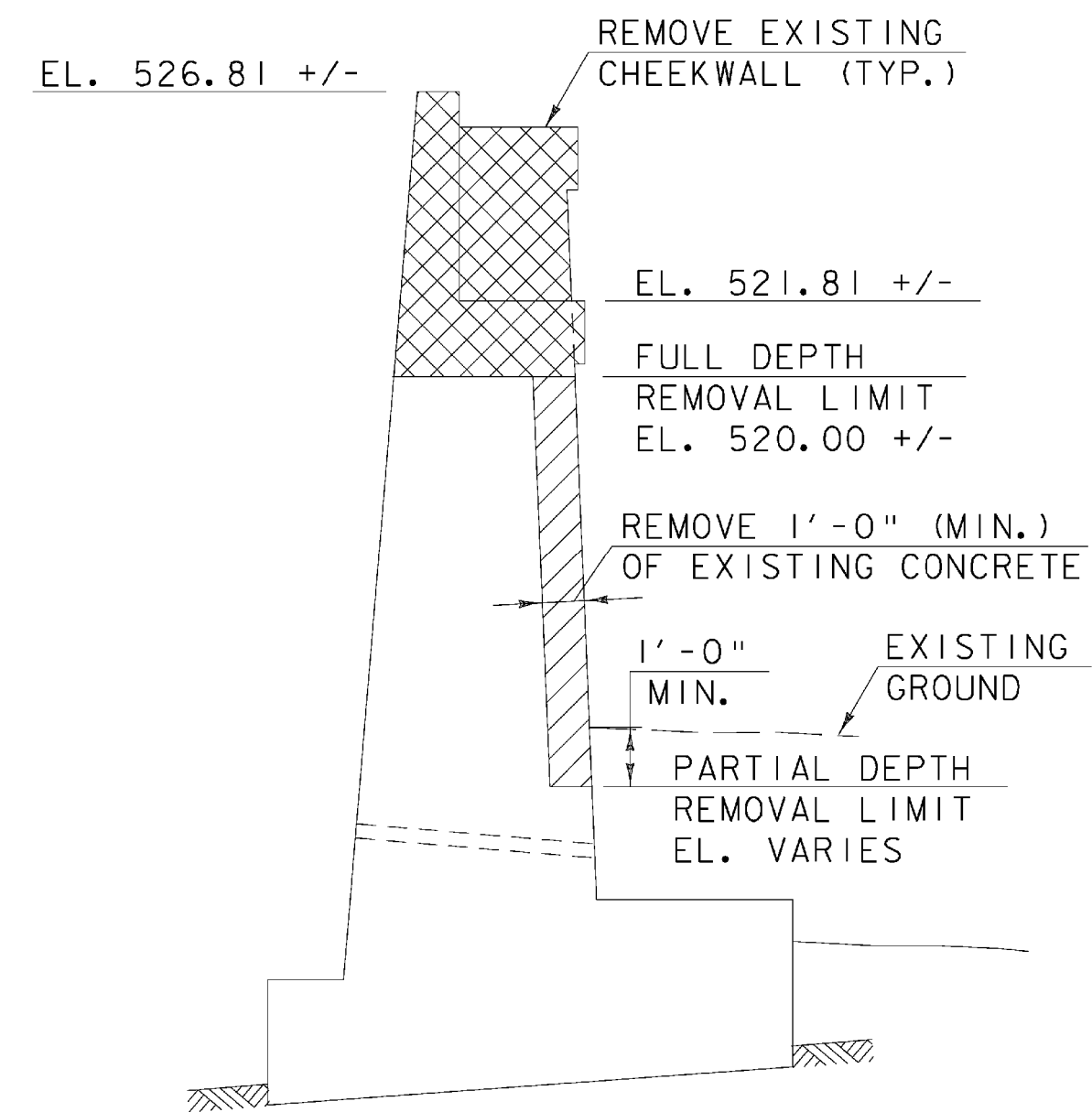
ABUTMENT 1 - ELEVATION

SCALE 1/4" = 1'-0"



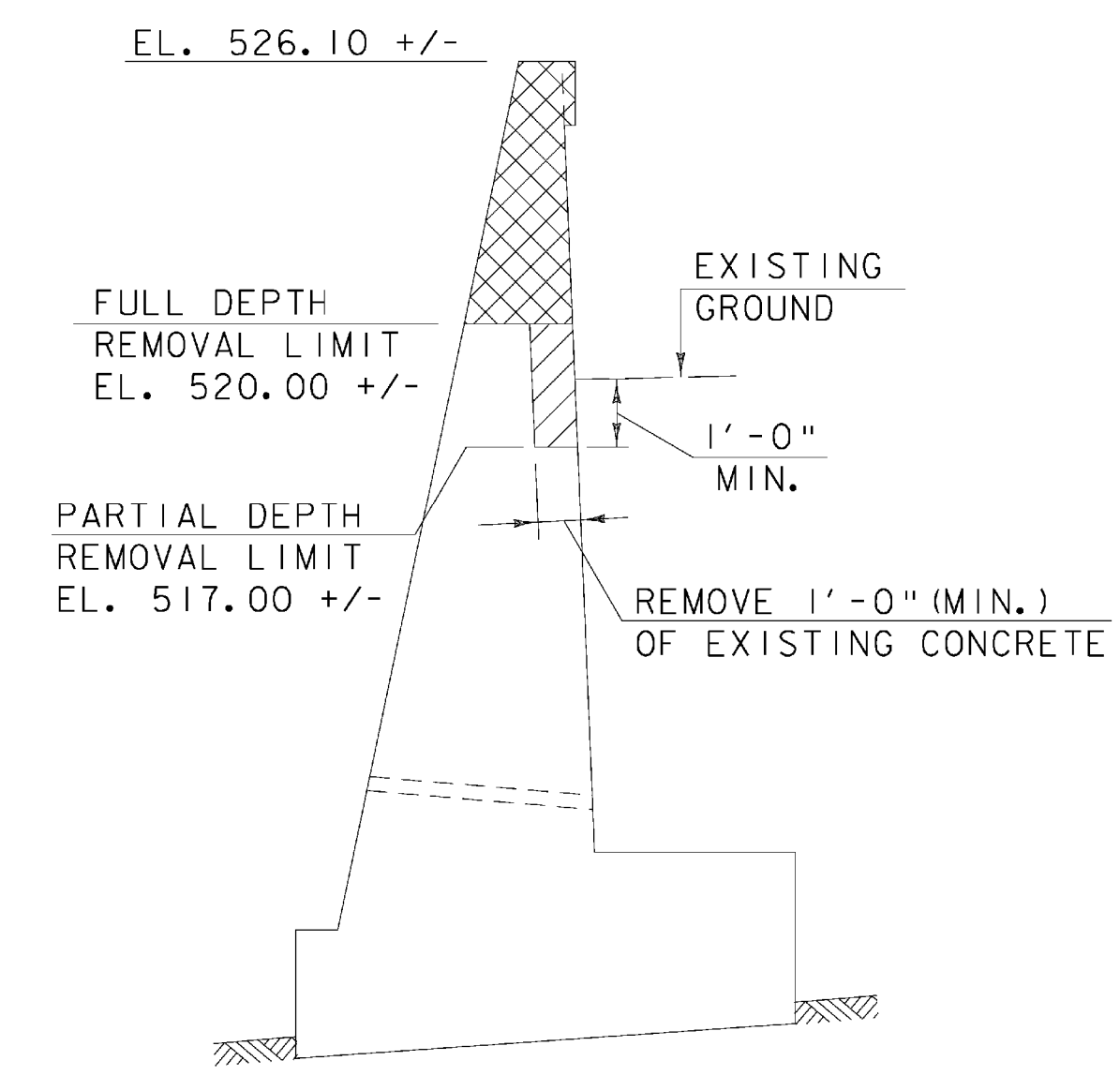
ABUTMENT 2 - ELEVATION

SCALE 1/4" = 1'-0"



SECTION A-A

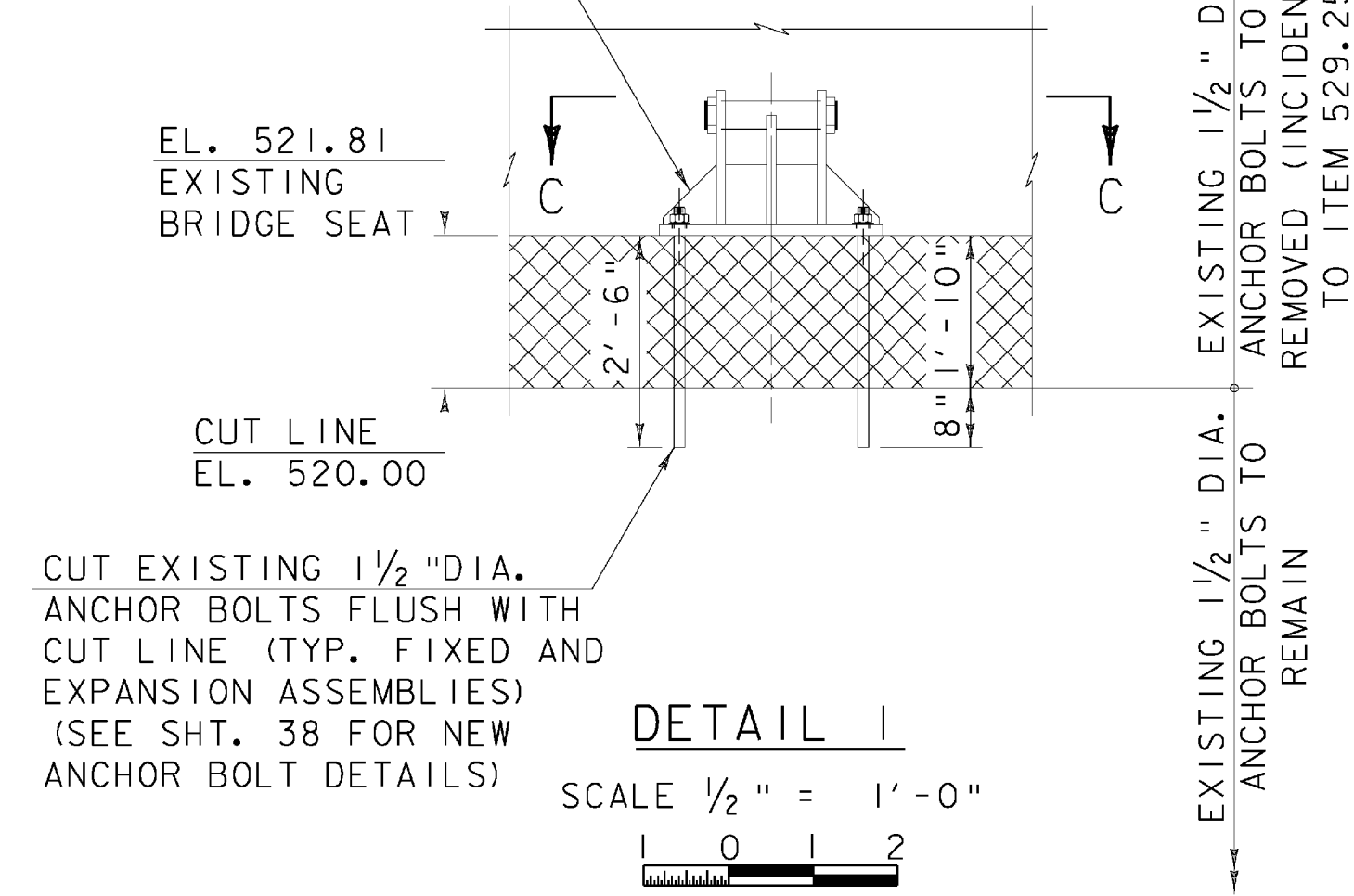
SCALE 1/4" = 1'-0"



SECTION B-B

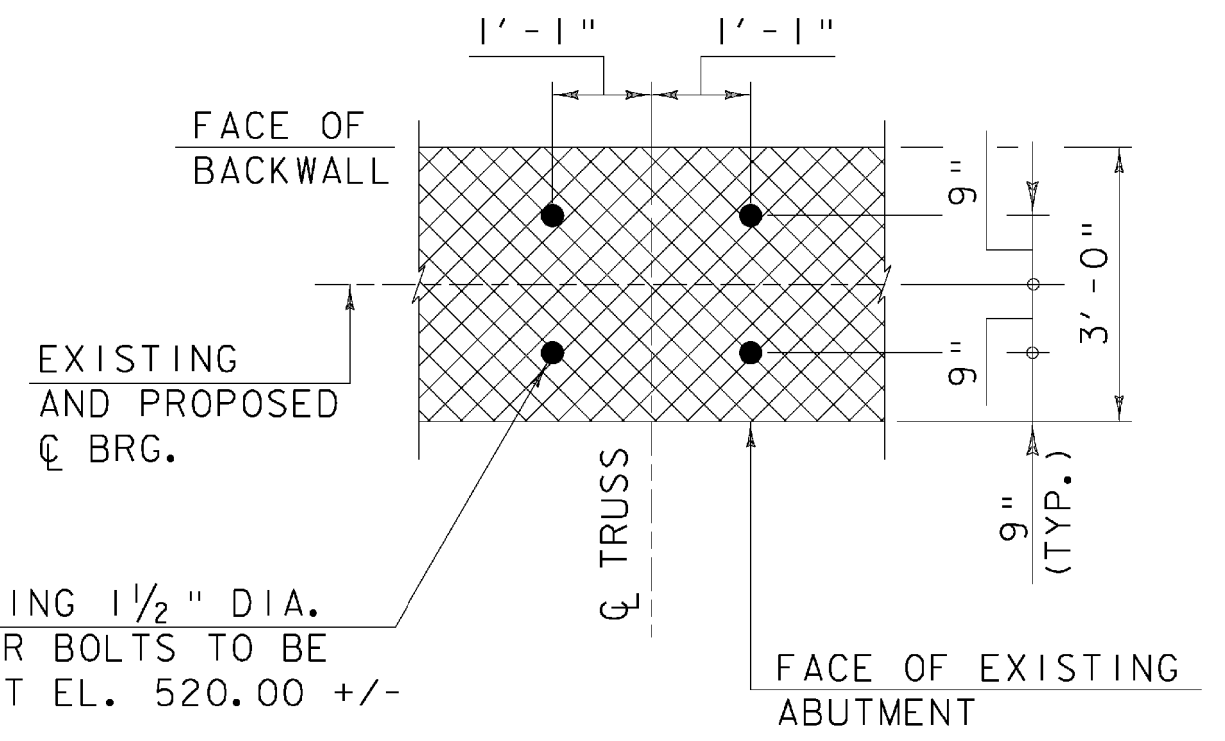
SCALE 1/4" = 1'-0"

REHABILITATE EXISTING FIXED BEARING ASSEMBLIES (SEE SHT. 29 FOR DETAILS). REPLACE EXISTING EXPANSION BEARING ASSEMBLIES (SEE SHT. 32 FOR DETAILS).



DETAIL 1

SCALE 1/2" = 1'-0"



SECTION C-C

SCALE 1/2" = 1'-0"

LEGEND

- EXISTING CONCRETE TO BE COMPLETELY REMOVED UNDER ITEM 529.25, REMOVAL OF EXISTING CONCRETE OR MASONRY (CY) AND REPLACED WITH NEW CONCRETE AS SHOWN IN THE PLANS.
- EXISTING CONCRETE TO BE PARTIALLY REMOVED UNDER ITEM 529.26, REMOVAL OF EXISTING CONCRETE OR MASONRY (SY) AND REMAINING CONCRETE TO BE FACED WITH ITEM 501.34 HIGH PERFORMANCE CONCRETE, CLASS B.

NOTE:

1. SAW CUT EXISTING SUBSTRUCTURE 3" DEEP ALONG CUT LINES PRIOR TO BEGINNING CONCRETE REMOVAL OPERATIONS.

SUBSTRUCTURE REMOVAL DETAILS

PROJECT NAME:	MONTPELIER	PLOT DATE:	10/12/2009
PROJECT NUMBER:	BHF 6400(31)	DRAWN BY:	D. D'AMATO
FILE NAME:	\$FILES\$	CHECKED BY:	P. PERKINS
PROJECT MANAGER:	SUSAN SCRIBNER	BRIDGE DESIGN SUPERVISOR:	P. HALSTEAD
DESIGNED BY:	D. D'AMATO		
			SHEET 37 OF 63



FILE NAME: I:\14596\mtn\plans\zsa14596_remove.dgn DATE: 10/12/2009 USER: z292