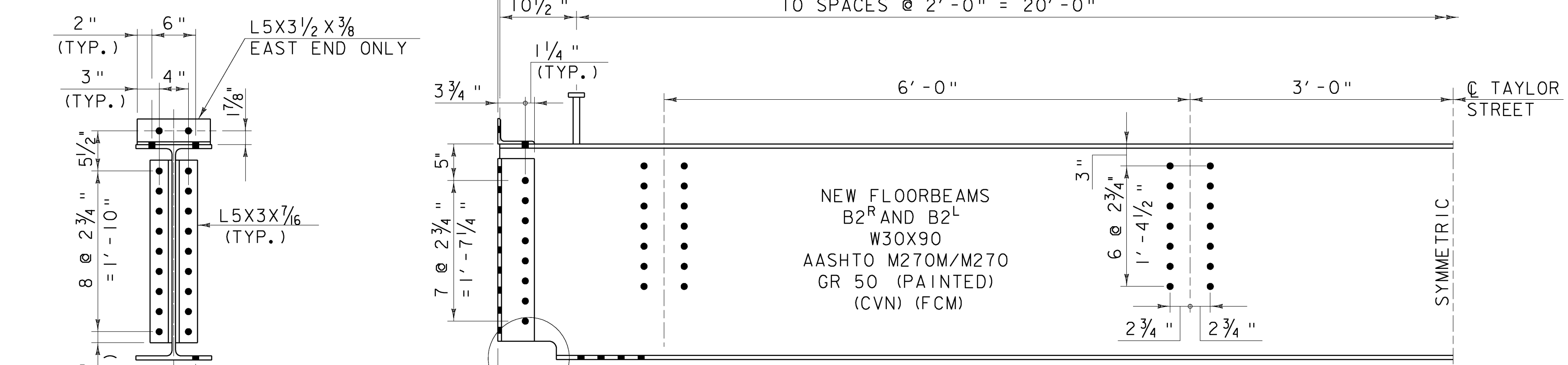


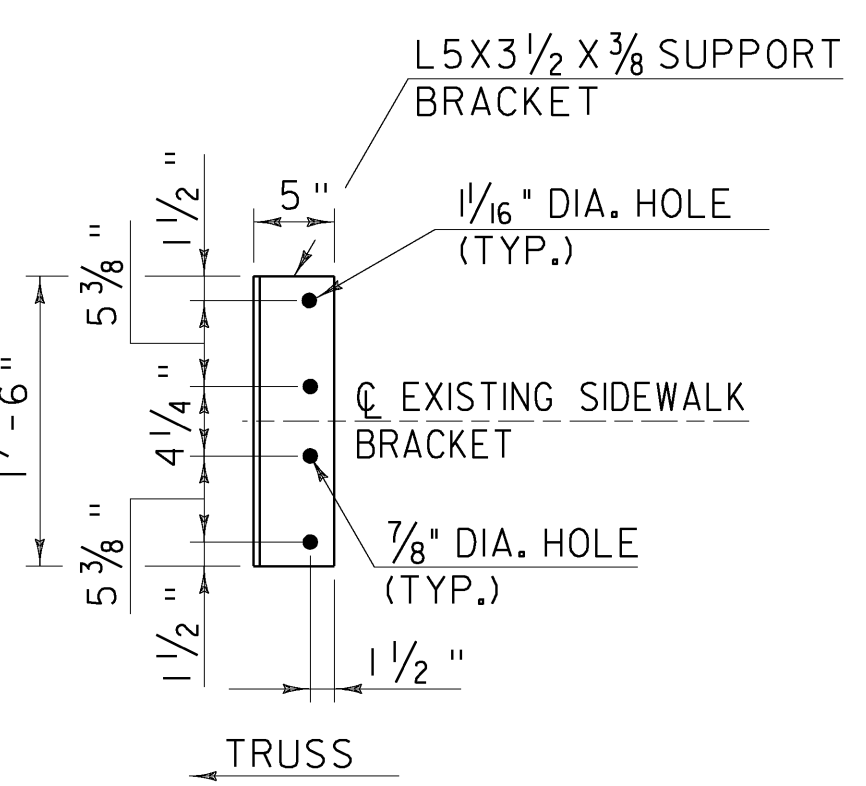
FLOORBEAM B1
(LOOKING UPSTATION)
SCALE 1" = 1'-0"

SHIM BETWEEN FLOORBEAM AND MEMBERS E10, E11 AND E14 AS REQ'D

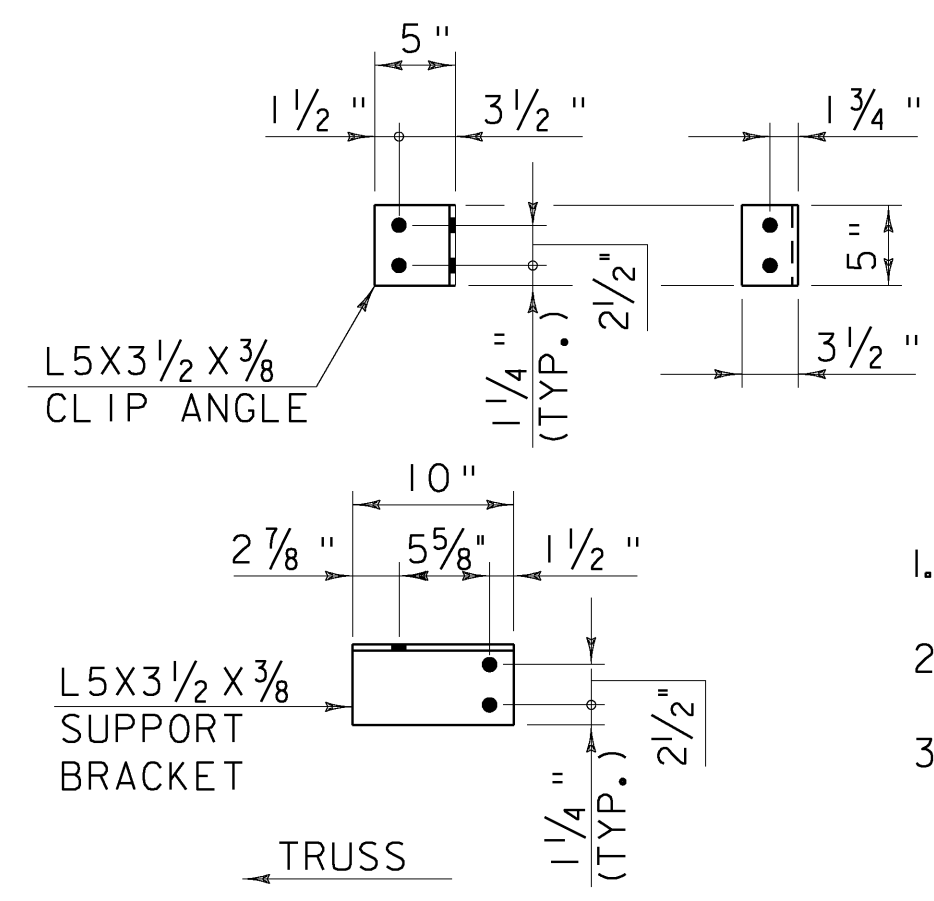


FLOORBEAMS B2^L
(LOOKING UPSTATION)
(FLOORBEAM B2^R SIMILAR)
SCALE 1" = 1'-0"

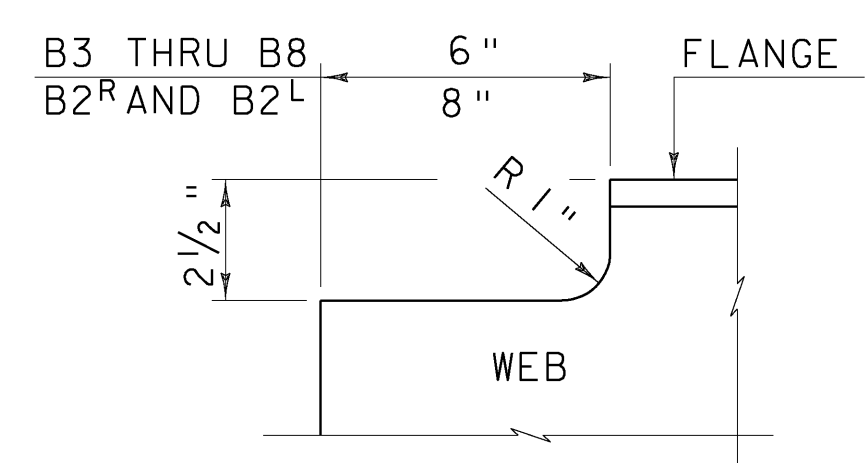
SHIM BETWEEN FLOORBEAM AND MEMBER E13 AS REQ'D



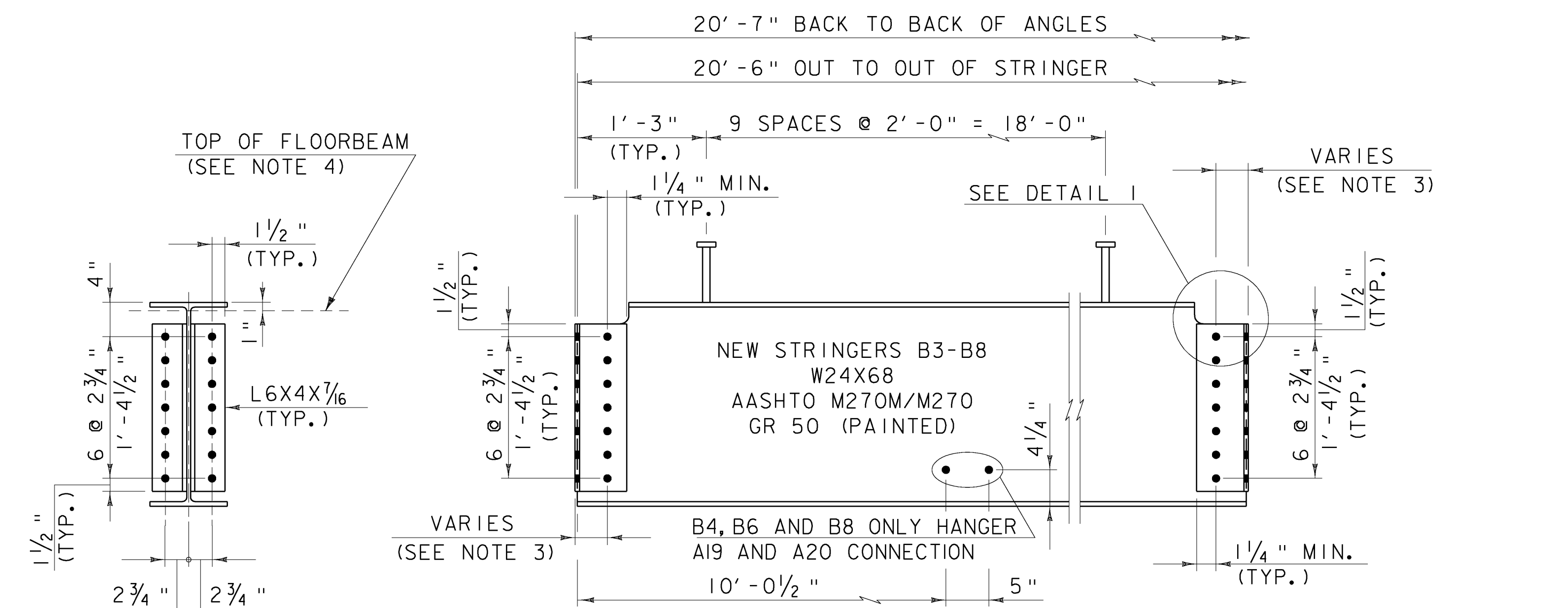
DETAIL 1
SCALE 1" = 1'-0"



DETAIL 2
SCALE 1" = 1'-0"

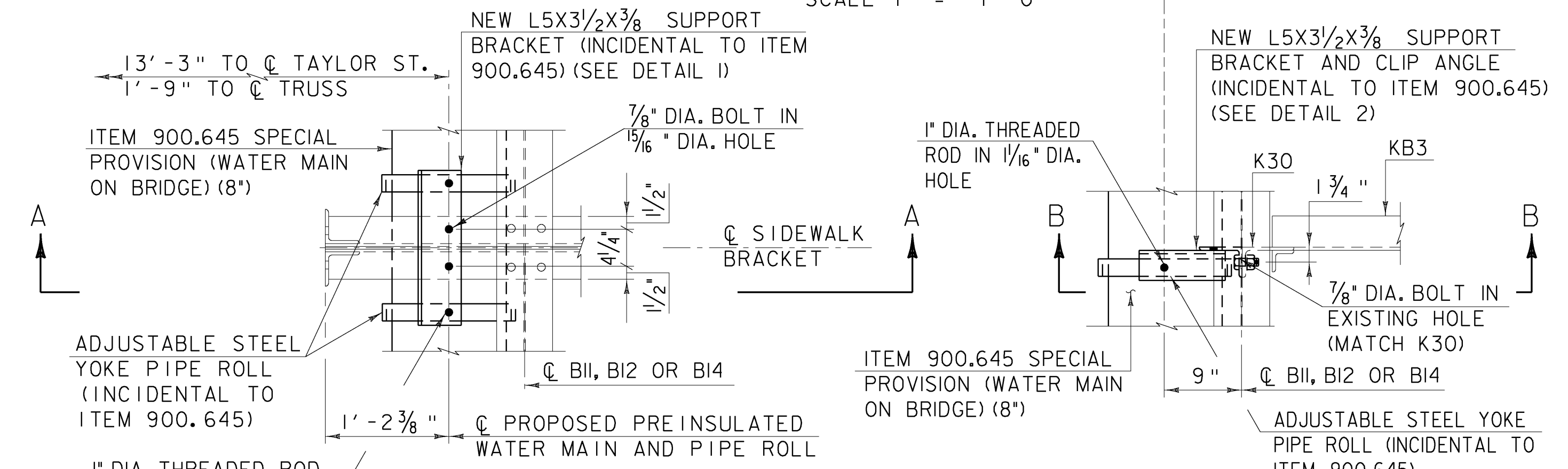


DETAIL 3
NOT TO SCALE



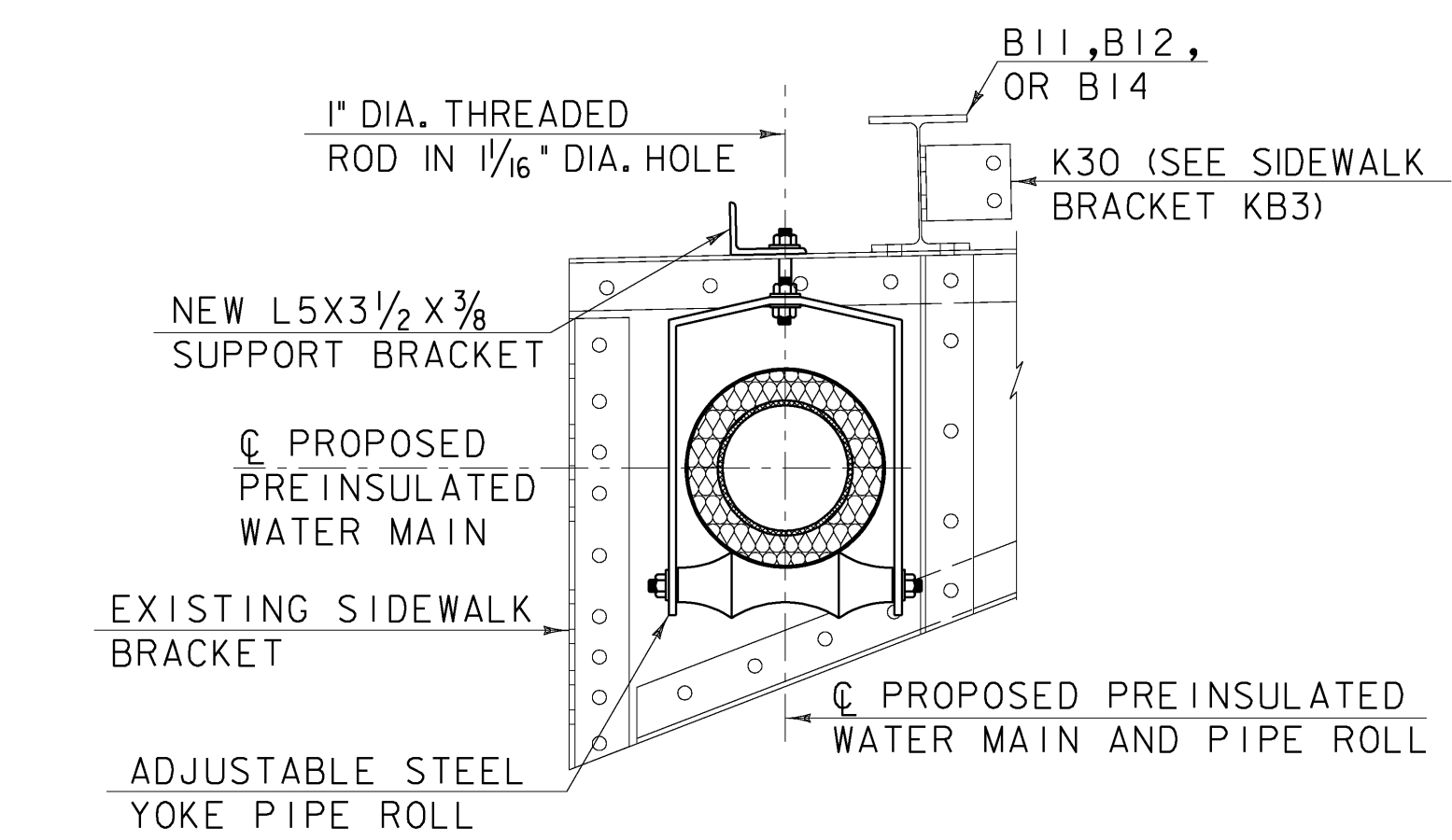
STRINGERS B3-B8
SCALE 1" = 1'-0"

VARIES (SEE NOTE 3)



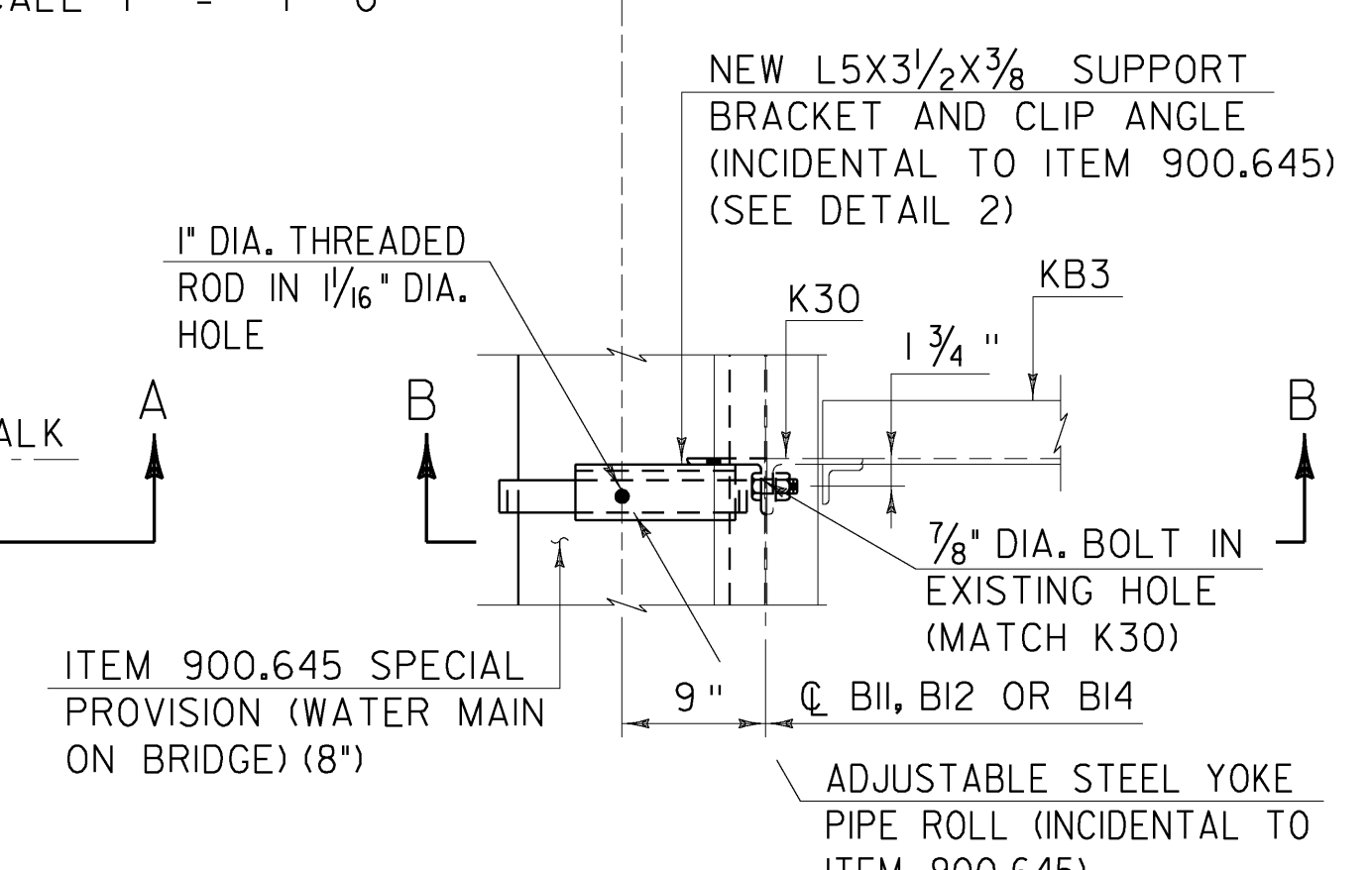
PLAN
(WATERMAIN HANGER CONNECTION AT KBI)

ADJUSTABLE STEEL YOKE PIPE ROLL (INCIDENTAL TO ITEM 900.645)



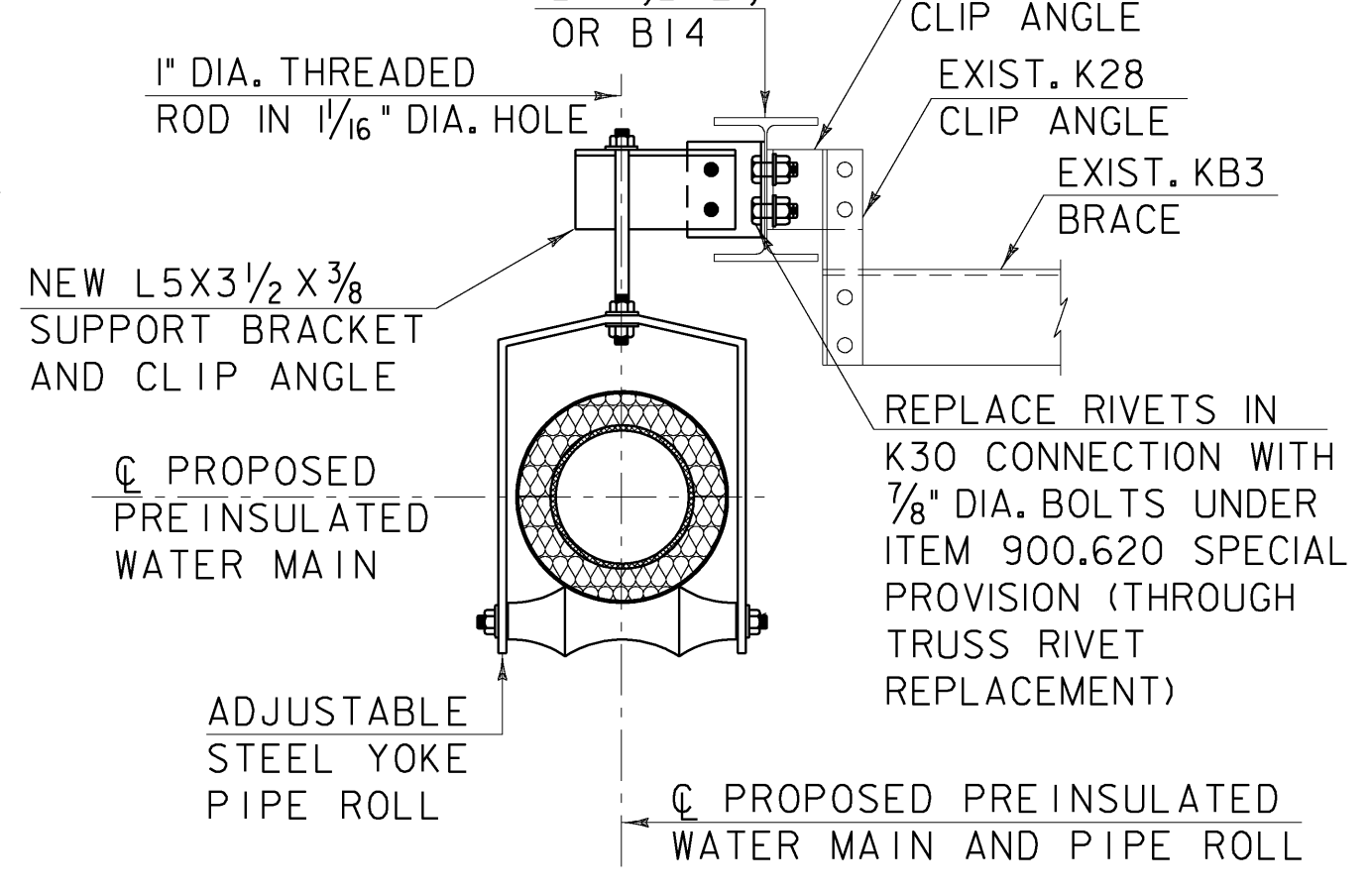
SECTION A-A
SIDEWALK BRACKET KBI
(BRACKET KB2 SIMILAR)
SCALE 1" = 1'-0"

EXISTING SIDEWALK BRACKET



PLAN
(WATERMAIN HANGER CONNECTION AT KB3)

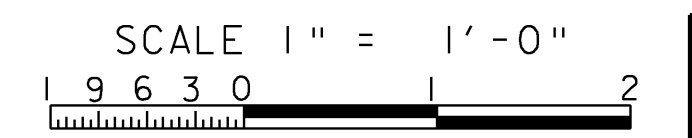
ADJUSTABLE STEEL YOKE PIPE ROLL (INCIDENTAL TO ITEM 900.645)



SECTION B-B
SIDEWALK BRACKET KB3
SCALE 1" = 1'-0"

REPLACE RIVETS IN K30 CONNECTION WITH 7/8" DIA. BOLTS UNDER ITEM 900.620 SPECIAL PROVISION (THROUGH TRUSS RIVET REPLACEMENT)

- SEE REFERENCE SHTS. 58-63 FOR 1929 FABRICATION DRAWINGS.
- SEE SHT. 25 FOR ADDITIONAL INFORMATION REGARDING PAYMENT AND REQUIRED SUBMITTALS.
- THE CONTRACTOR IS ADVISED THAT THE EXISTING TRUSS IS CAMBERED TO PRODUCE THE VERTICAL CURVATURE OF TAYLOR STREET. AS A RESULT, STRINGER TO FLOORBEAM CONNECTION ANGLES MAY NOT BE PLUMB. THE CONTRACTOR IS CAUTIONED TO ENSURE THE BOLT PATTERN IN THE STRINGER WEB FACILITATES FIELD FIT-UP THROUGH UNDERSTANDING OF REFERENCE SHTS. 58-63 AND BY OBTAINING ALL NECESSARY FIELD MEASUREMENTS. FIELD DRILLING MAY BE DETAILED AT THE CONTRACTOR'S OPTION, PROVIDED REQUIRED EDGE DISTANCES ARE MAINTAINED.
- THE CONTRACTOR IS CAUTIONED THAT THE TOP OF THE NEW STRINGERS ARE DETAILED 1" HIGHER THAN THE TOP OF THE FLOORBEAMS. THIS IS A CHANGE FROM THE DETAILING SHOWN IN THE 1929 FABRICATION DRAWINGS.



PROJECT NAME: MONTPELIER	PLOT DATE: 10/12/2009
PROJECT NUMBER: BHF 6400(31)	DRAWN BY: D. D'AMATO
FILE NAME: \$FILES\$	DESIGNED BY: P. PERKINS
PROJECT MANAGER: SUSAN SCRIBNER	BRIDGE DESIGN SUPERVISOR: P. HALSTEAD
DESIGNED BY: D. D'AMATO	CHECKED BY: P. PERKINS
BRIDGE DESIGN SUPERVISOR: P. HALSTEAD	SHEET 30 OF 63

FILE NAME: I:\14595\mtn\p\lona\14595_1.rvt DATE: 10/12/2009 USER: 22552