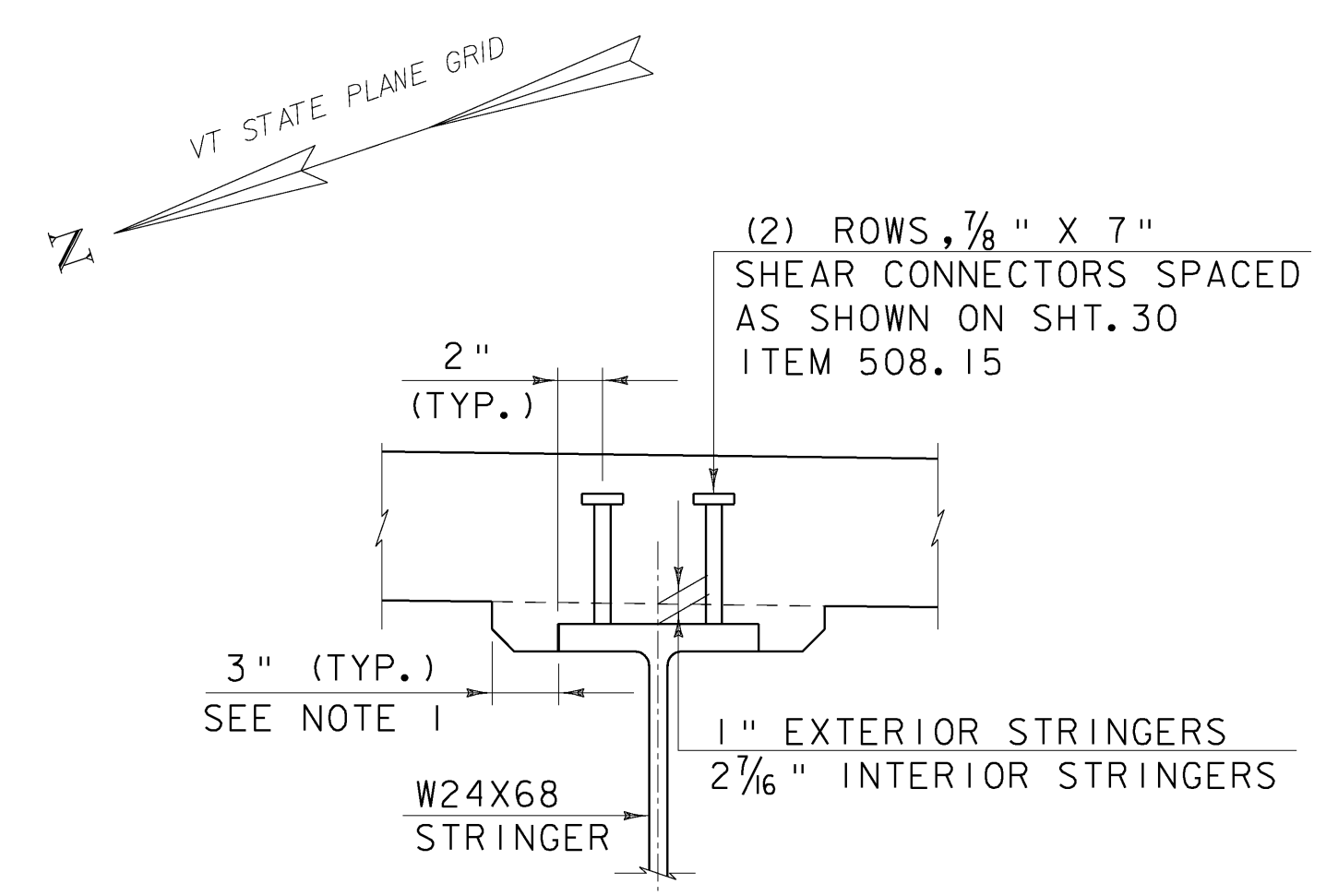
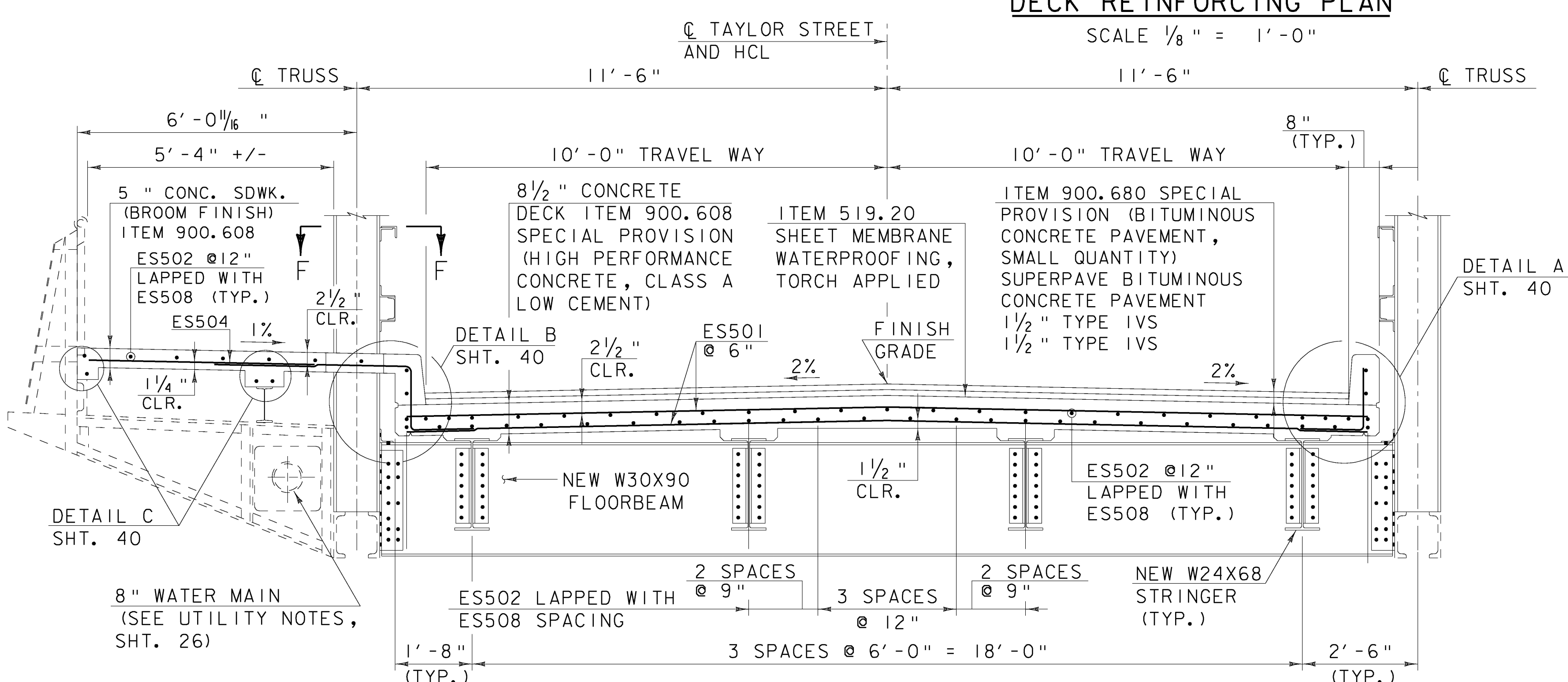


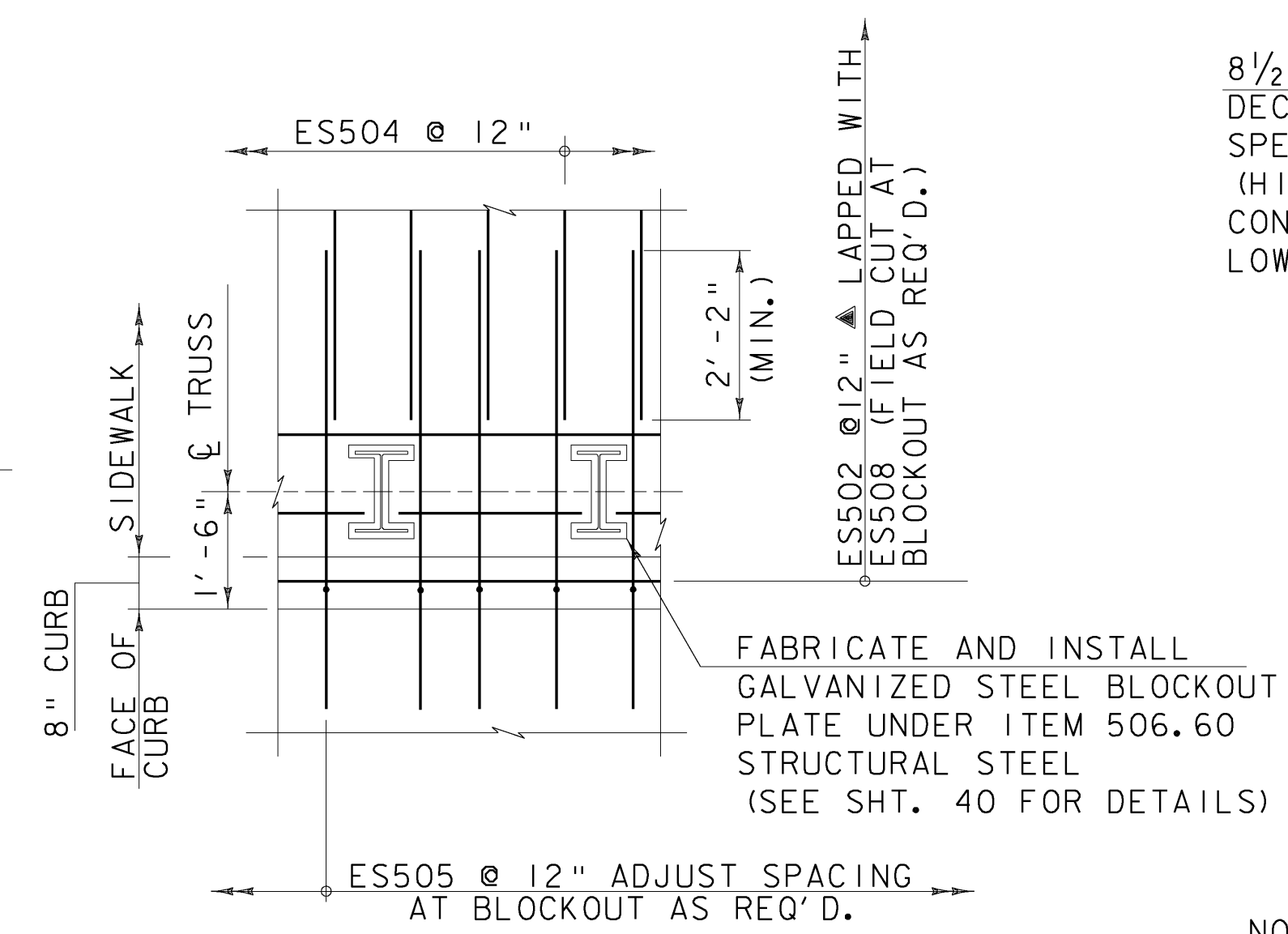
DECK REINFORCING PLAN
 SCALE 1/8" = 1'-0"



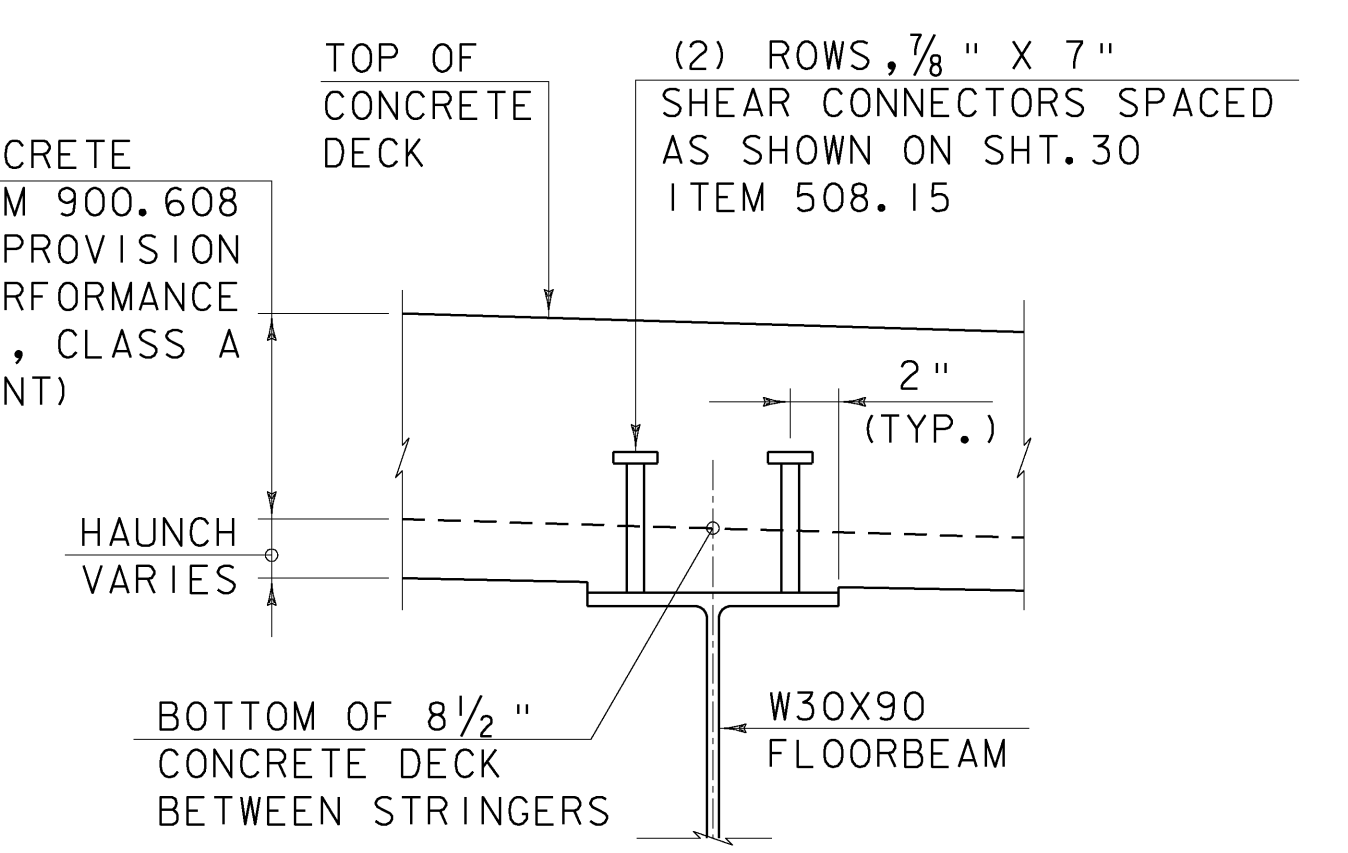
SECTION D-D
 SCALE 1/2" = 1'-0"



TYPICAL BRIDGE SECTION
 SCALE 1/2" = 1'-0"



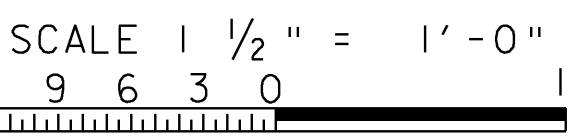
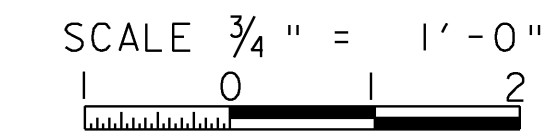
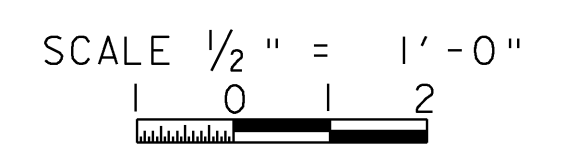
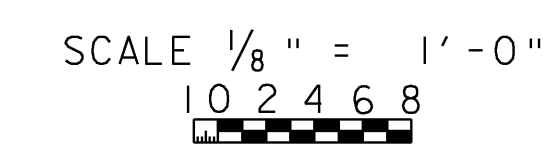
SECTION F-F
 SCALE 1/2" = 1'-0"



SECTION E-E
 SCALE 1/2" = 1'-0"

NOTES:

1. THE 3" STRINGER HAUNCH PROJECTION MAY BE ELIMINATED FOR FORMING SYSTEMS DESIGNED FOR THE CONSTRUCTION OF VERTICAL HAUNCHES. SYSTEMS SHALL BE SUBMITTED FOR APPROVAL TO THE STRUCTURES ENGINEER. ALL VOIDS SHALL BE FILLED WITH POLYURETHANE JOINT SEALER OR AN EQUIVALENT PRODUCT APPROVED BY THE VERMONT AGENCY OF TRANSPORTATION MATERIALS AND RESEARCH LABORATORY.
2. FOR END OF DECK DETAILS AT ABUTMENT 2, SEE SHT. 34.



- LEGEND:**
- NF = NEAR FACE
 - FF = FAR FACE
 - EF = EACH FACE
 - ▲ = CUT IN FIELD

DECK PLAN AND DETAILS

PROJECT NAME: MONTPELIER	FILE NAME: \$FILES\$	PLOT DATE: 10/12/2009
PROJECT NUMBER: BHF 6400(31)	PROJECT MANAGER: SUSAN SCRIBNER	DRAWN BY: D. D'AMATO
	DESIGNED BY: D. D'AMATO	CHECKED BY: P. PERKINS
	BRIDGE DESIGN SUPERVISOR: P. HALSTEAD	SHEET 28 OF 63



FILE NAME: h:\14595\montpelier\plans\14596_deckpln.dgn
 DATE/TIME: 10/12/2009 10:22:00
 USER: P2562