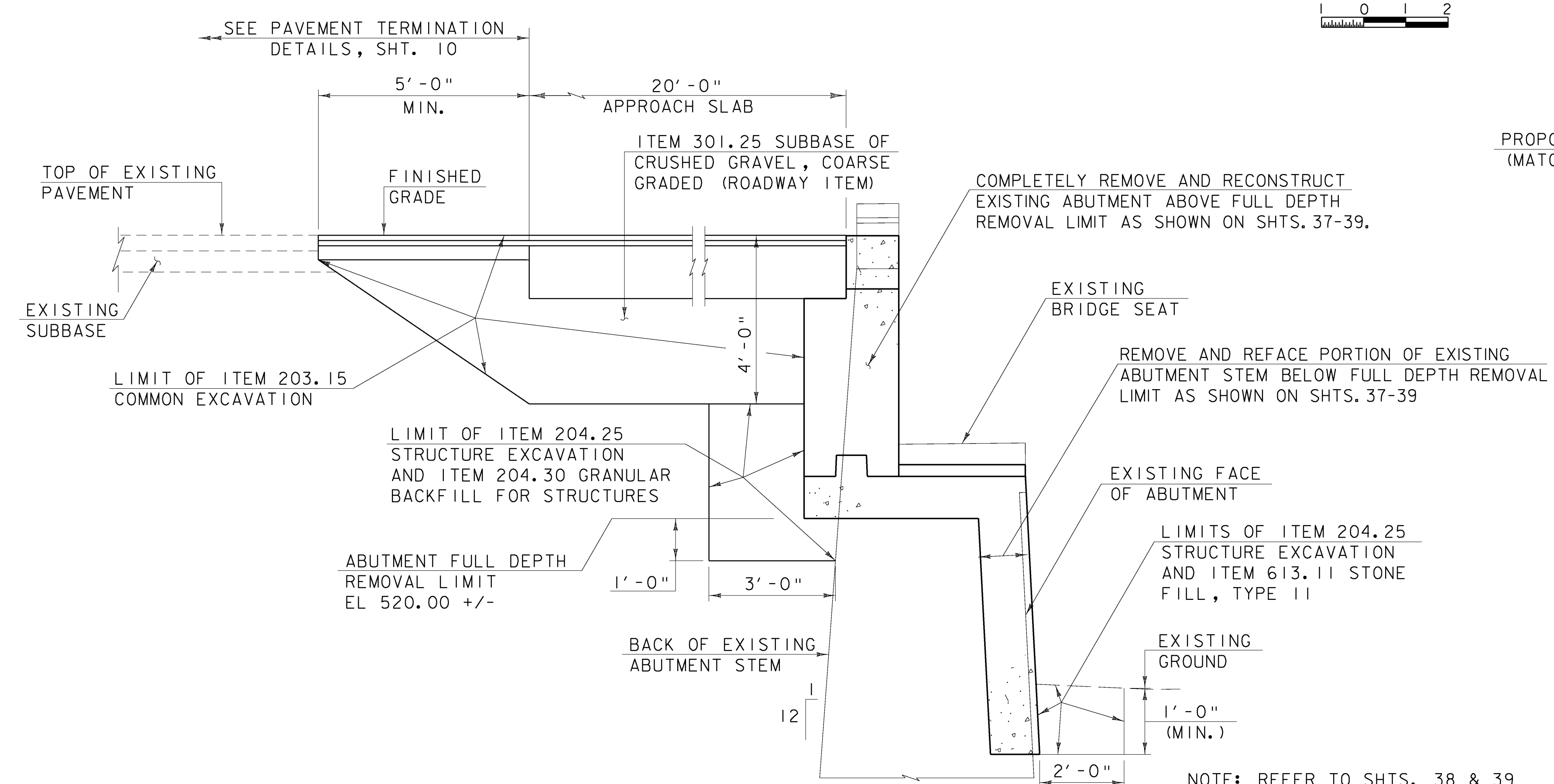


TYPICAL BRIDGE SECTION

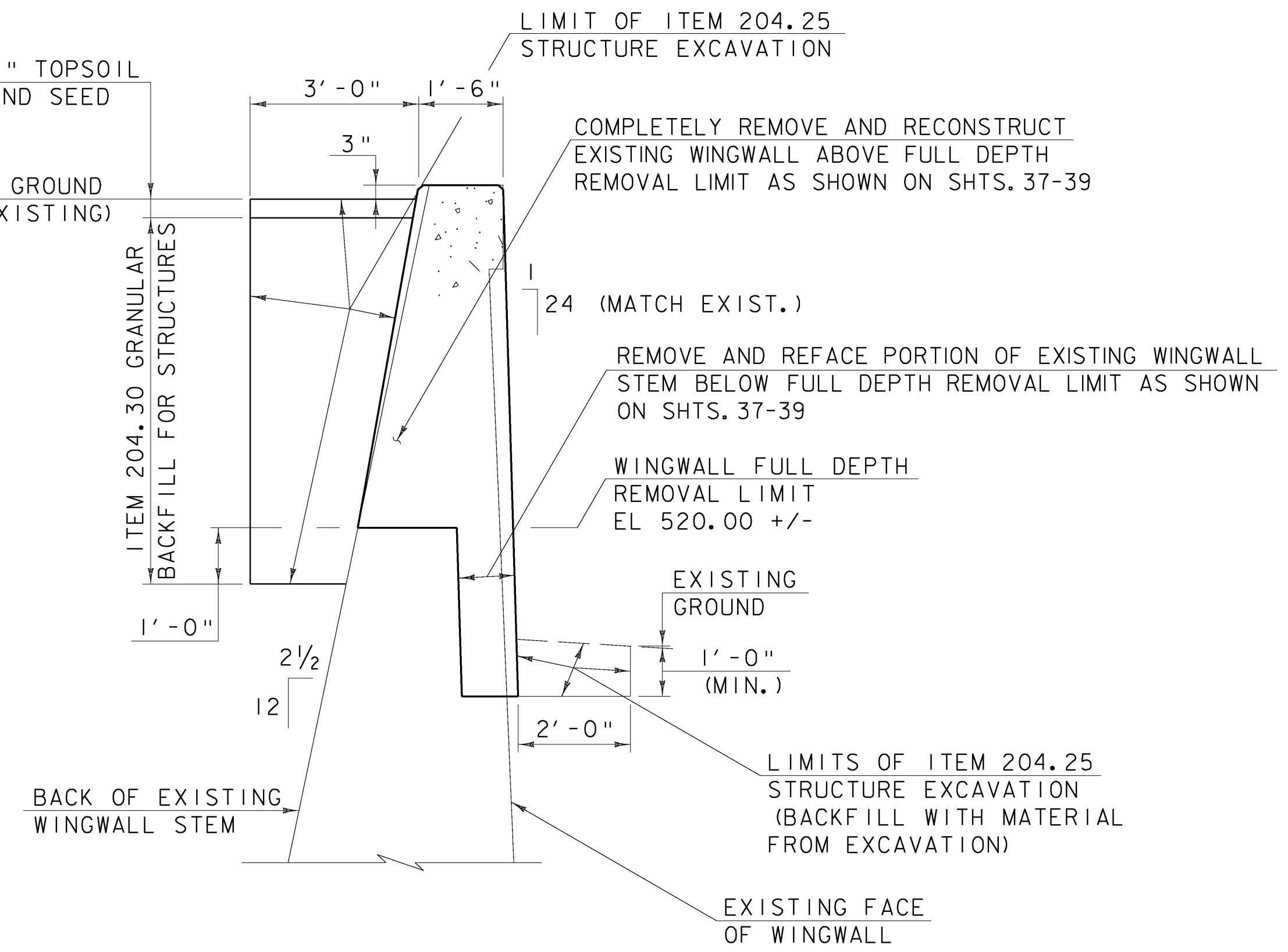
SCALE 1/2" = 1'-0"

- NOTES:
1. ALL EXISTING STEEL TO REMAIN SHALL BE CLEANED TO BARE METAL AND PAINTED.
  2. REFER TO SHTS. 25 AND SHTS. 29-31 FOR STRUCTURAL STEEL RELATED WORK DESCRIPTIONS AND PAYMENT.
  3. FOR REQUIREMENTS RELATED TO WATER MAIN WORK, SEE UTILITY NOTES, SHT. 26.



TYPICAL ABUTMENT SECTION

SOUTH ABUTMENT SHOWN  
NORTH ABUTMENT SIMILAR  
SCALE 1/2" = 1'-0"



TYPICAL WINGWALL SECTION (ABUT. 2 ONLY)

SCALE 1/2" = 1'-0"

| PROJECT TYPICAL SECTIONS (2)    |                                       |                       |
|---------------------------------|---------------------------------------|-----------------------|
| PROJECT NAME:                   | MONTPELIER                            |                       |
| PROJECT NUMBER:                 | BHF 6400(31)                          |                       |
| FILE NAME: \$FILES\$            | DESIGNED BY: D. D'AMATO               | PLOT DATE: 10/12/2009 |
| PROJECT MANAGER: SUSAN SCRIBNER | BRIDGE DESIGN SUPERVISOR: P. HALSTEAD | DRAWN BY: D. D'AMATO  |
| CHECKED BY: P. PERKINS          |                                       | SHEET 9 OF 63         |



FILE NAME: h:\14596\mtn\p\lona\14596\_tjpssect-2.dgn  
 DATE/TIME: 10/12/2009 10:25:52  
 USER: 22562