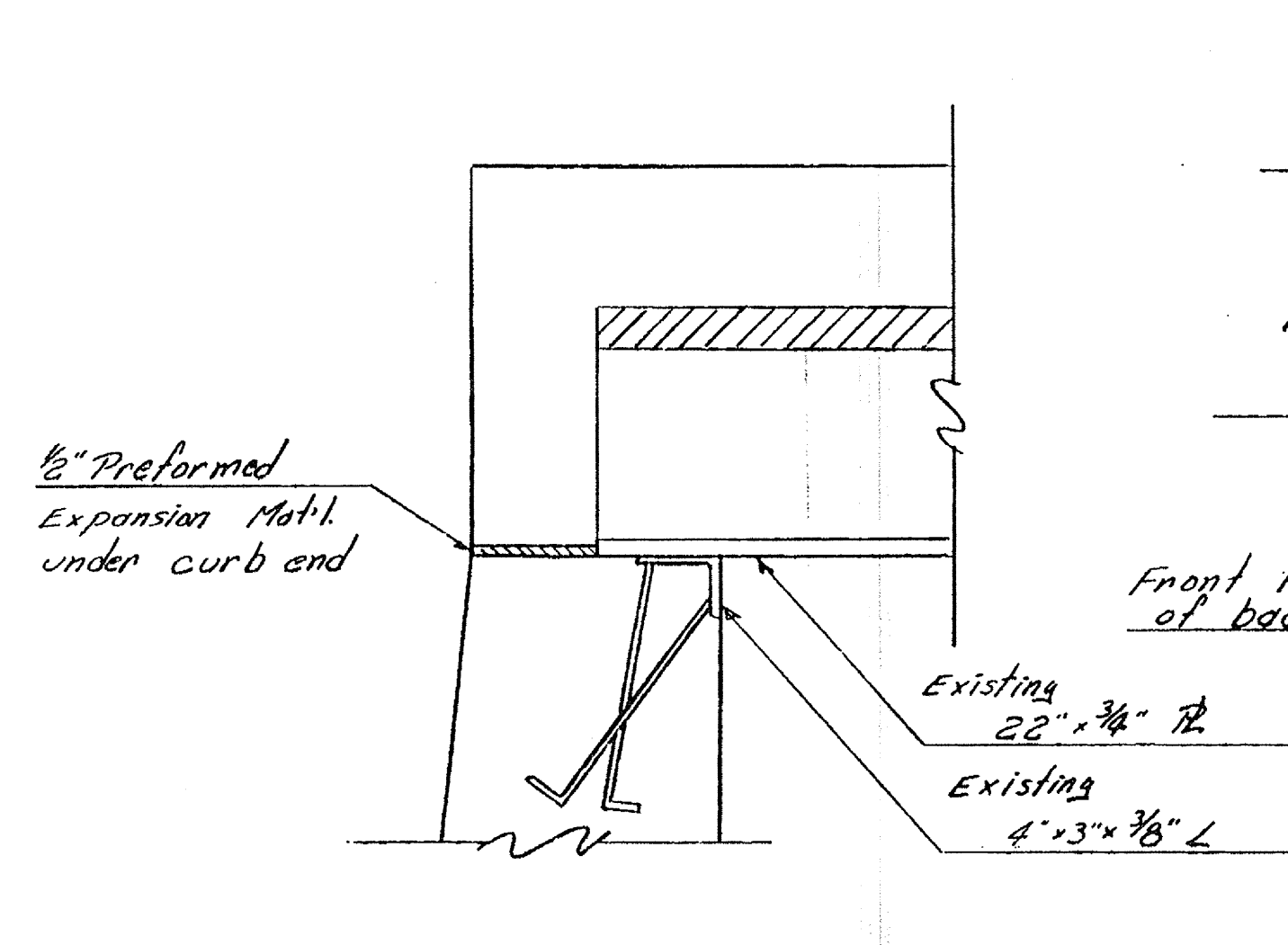
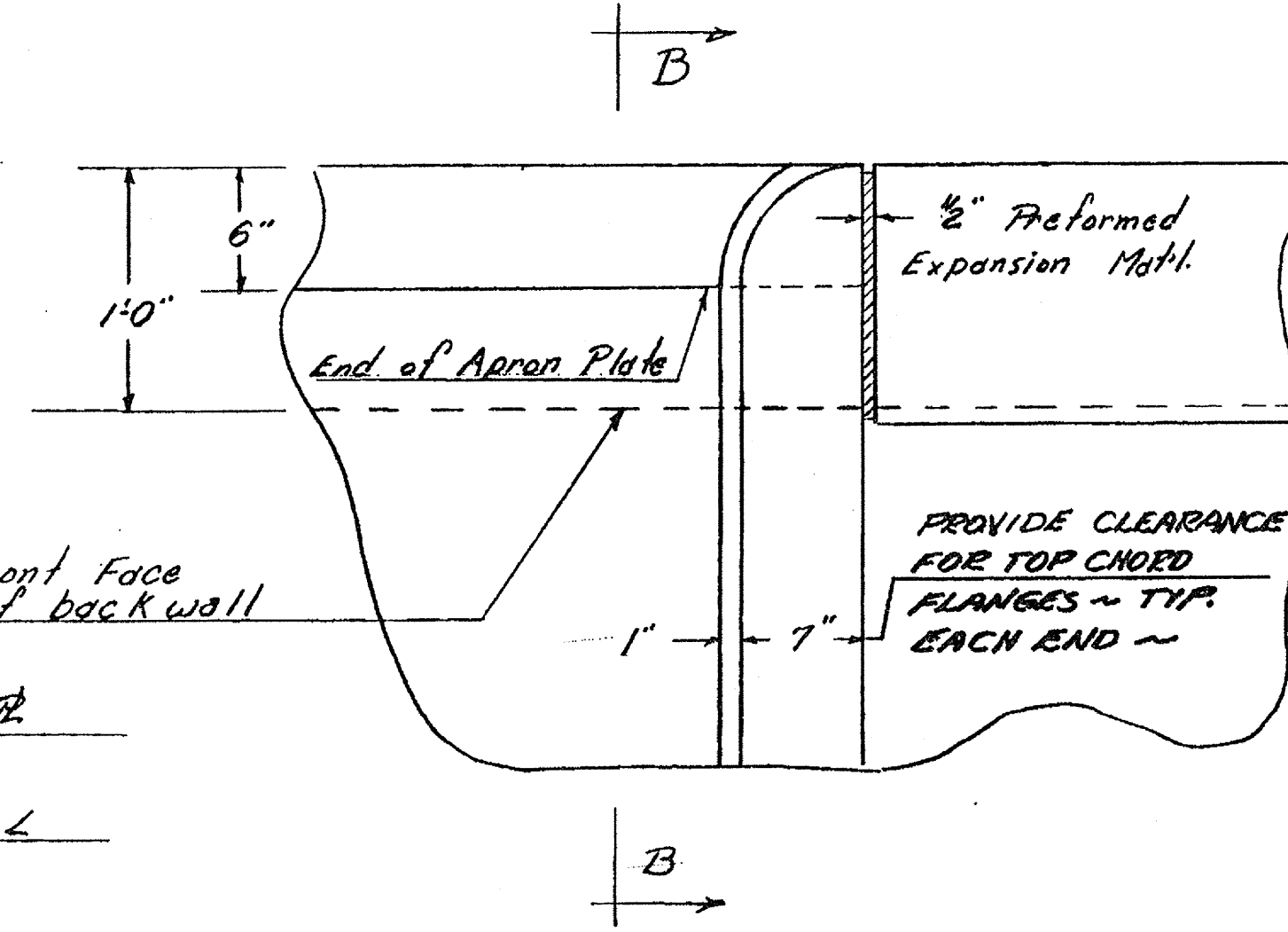


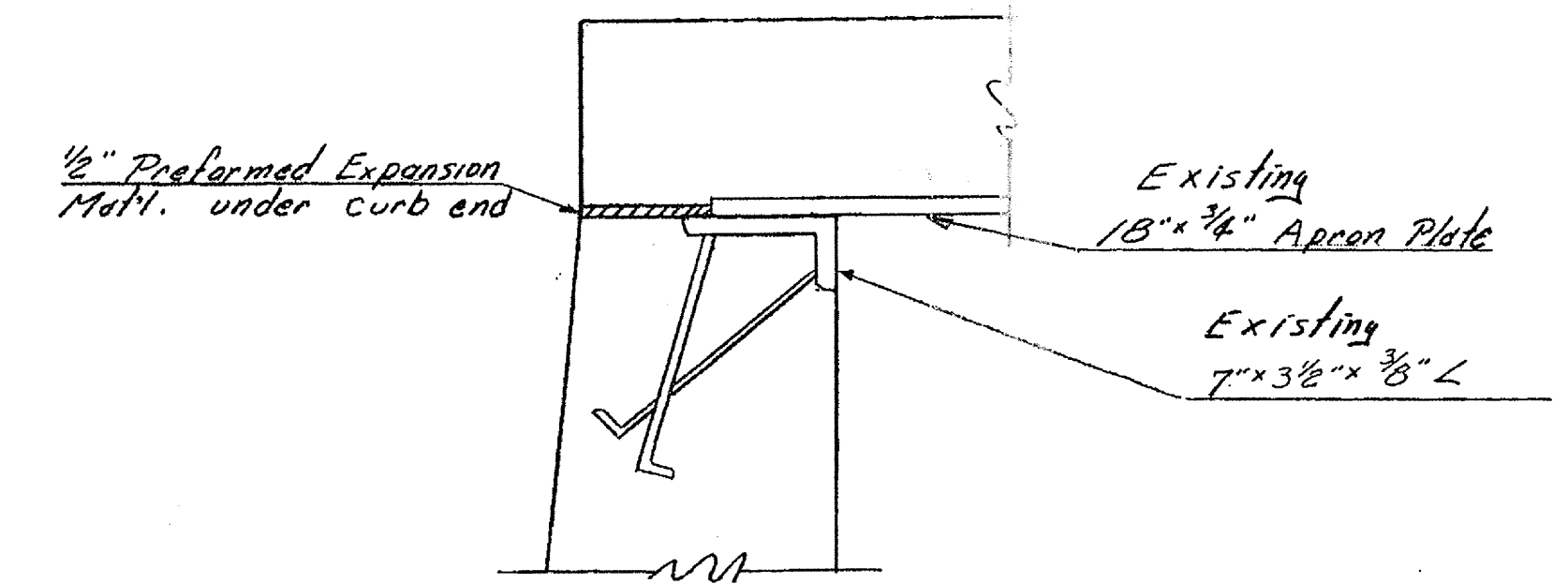
Abutment No. 1 Curb Detail
Scale: 1 1/2" = 1'



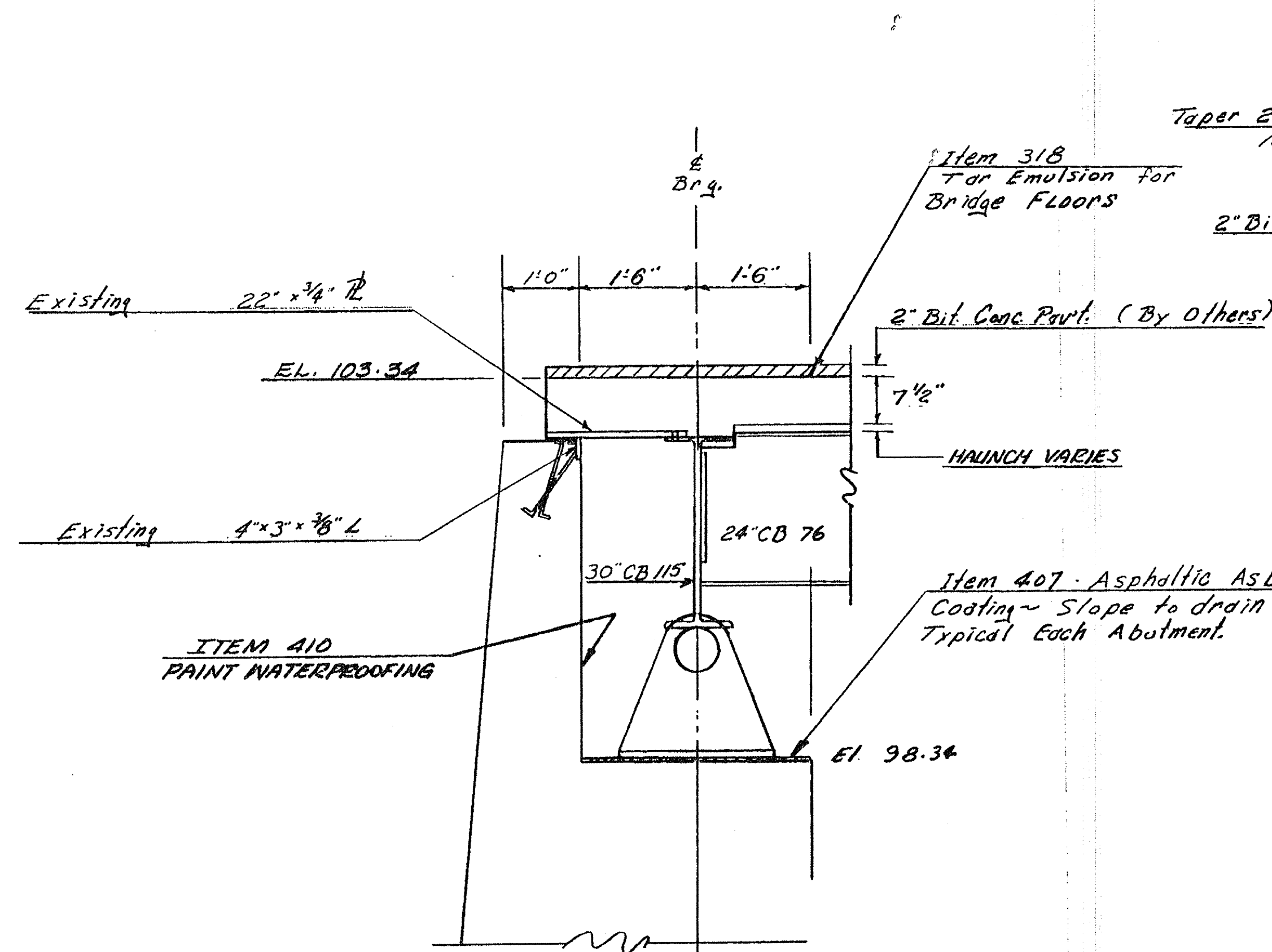
SECTION A-A
Scale: 1 1/2" = 1'



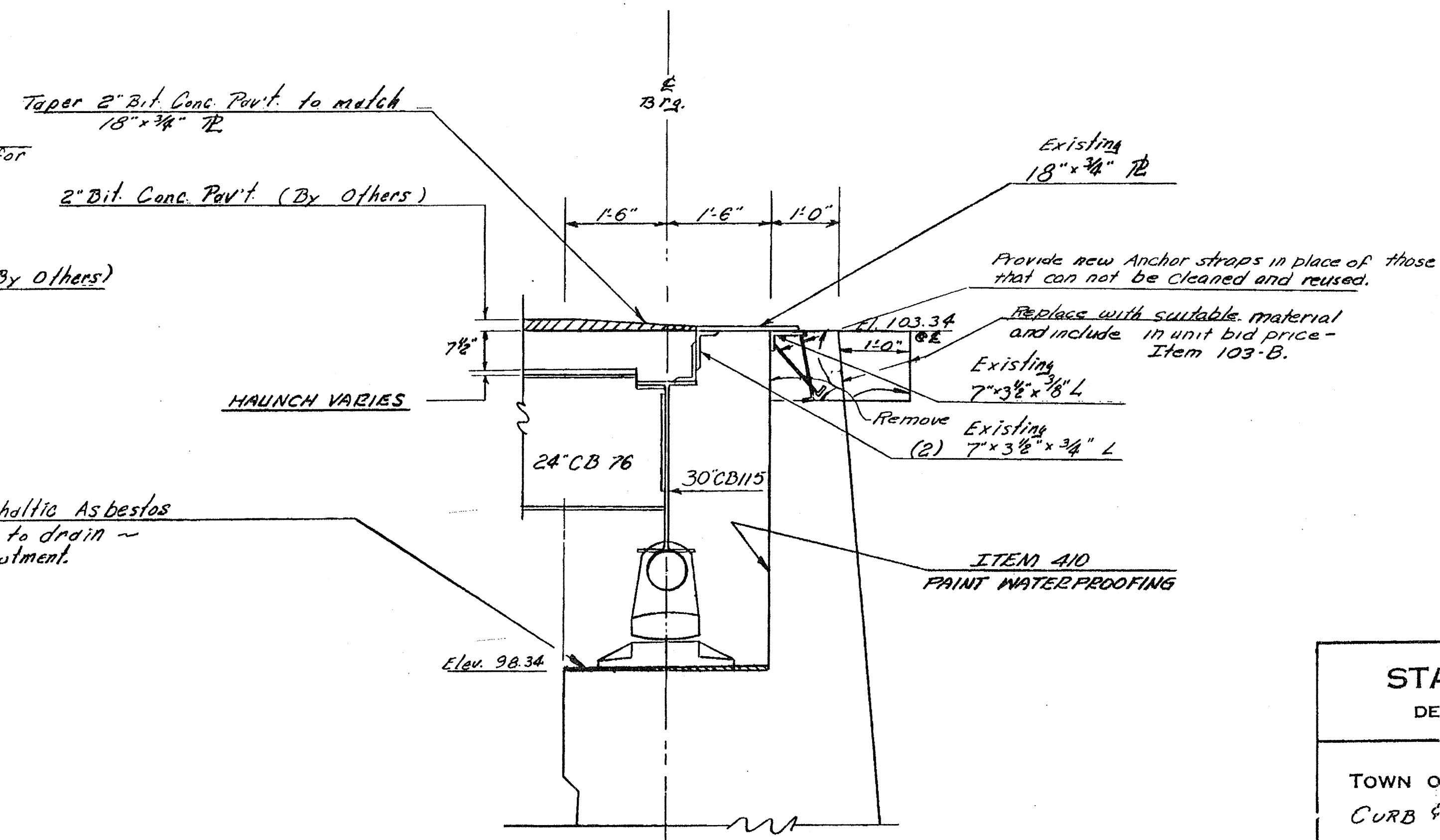
Abutment No. 2 Curb Detail
Scale: 1 1/2" = 1'



SECTION B-B
Scale: 1 1/2" = 1'



ABUTMENT No. 1
FIXED
Scale: 3/8" = 1'



ABUTMENT No. 2
Expansion
Scale: 3/8" = 1'

STATE OF VERMONT DEPARTMENT OF HIGHWAYS	
TOWN OF	MONTPELIER
CURB & BEARING DETAILS	
TAYLOR ST. BRIDGE	
OVER WINDSOR RIVER	1
SCALE	As Noted
IN CHARGE	R. H. Watson
DRAWN BY	D. Mayo
CHECKED BY	D. W. W. W.
PROJECT No.	SAB 6612
SHEET	4 OF 8