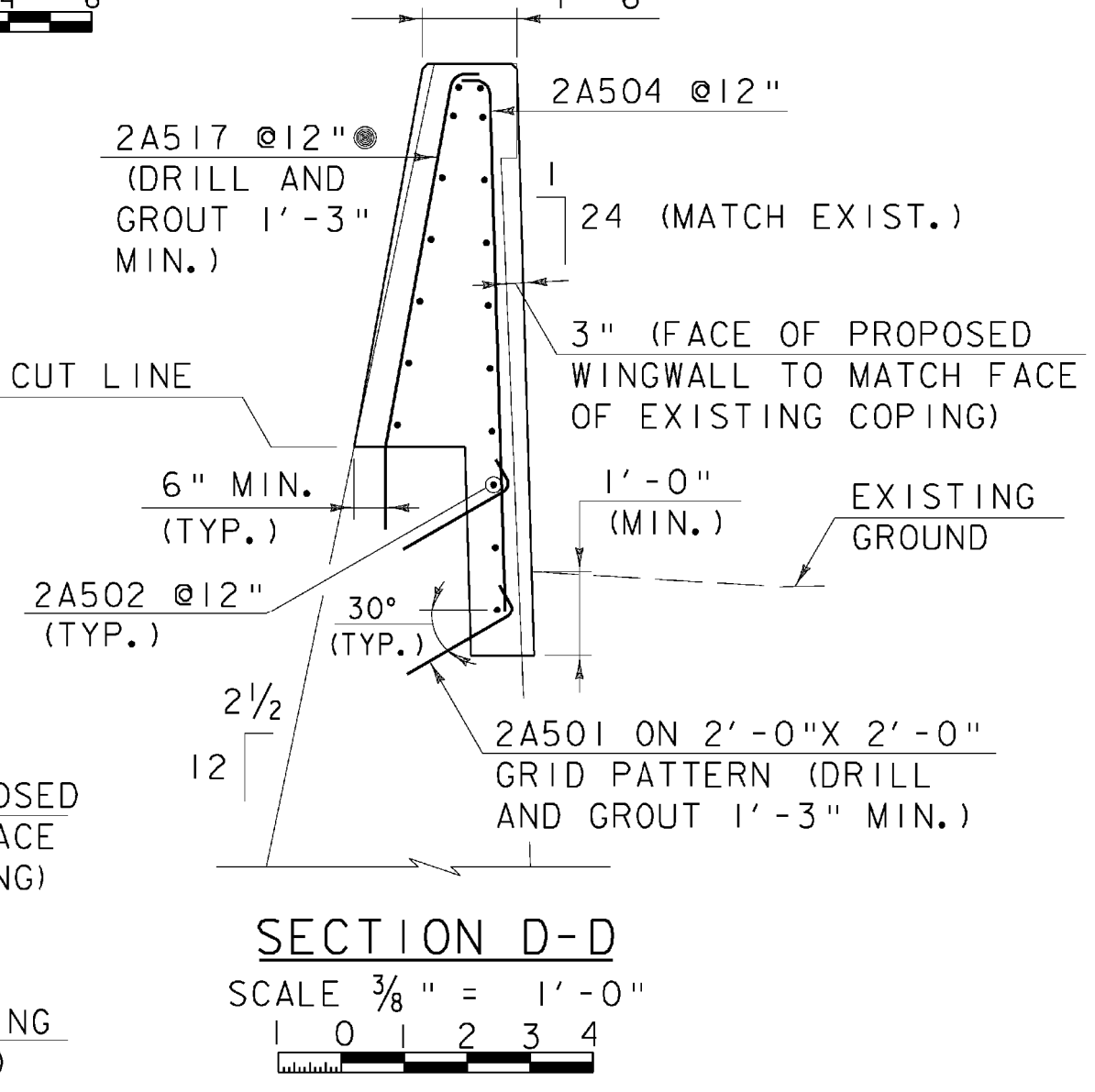
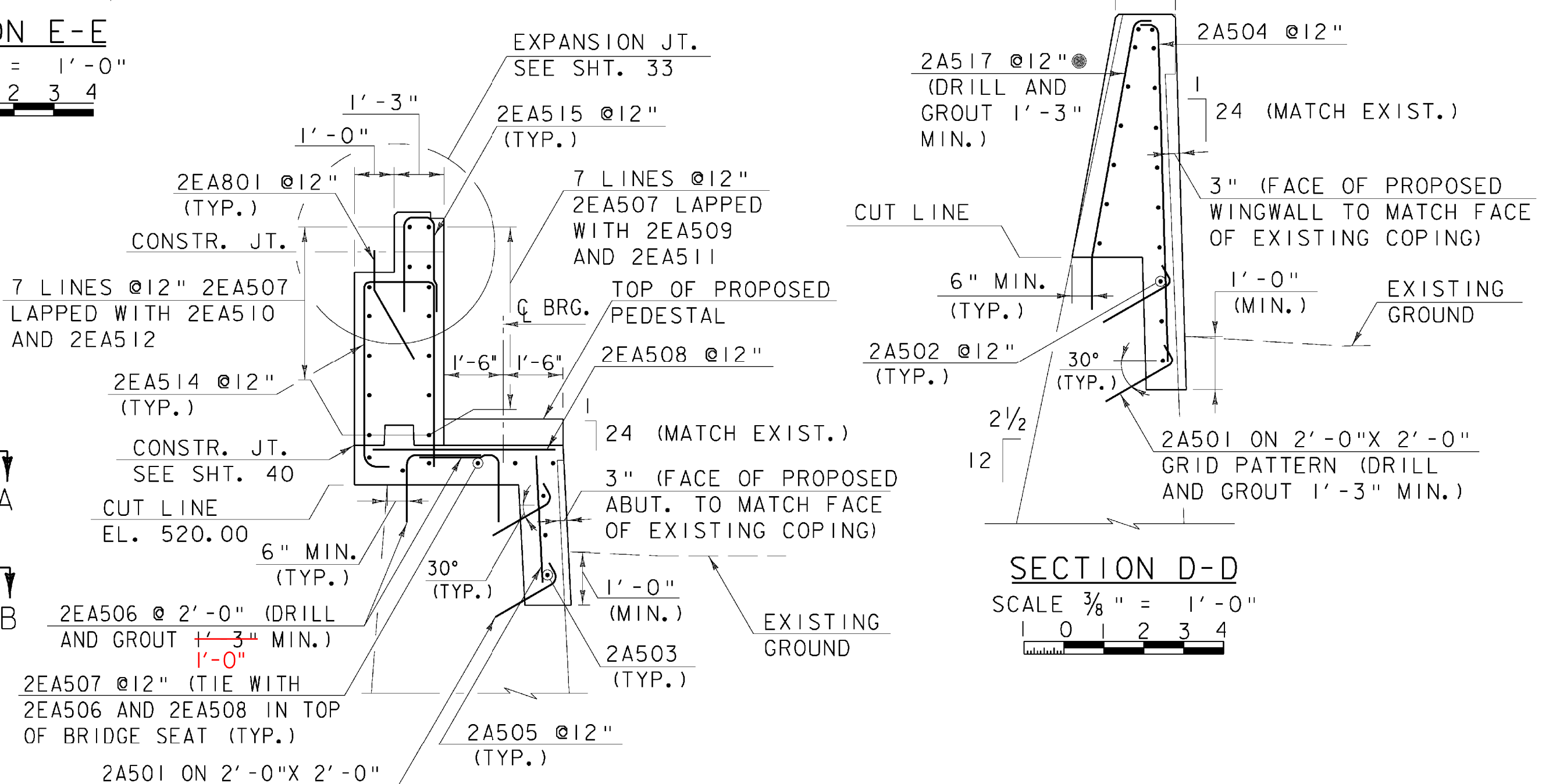
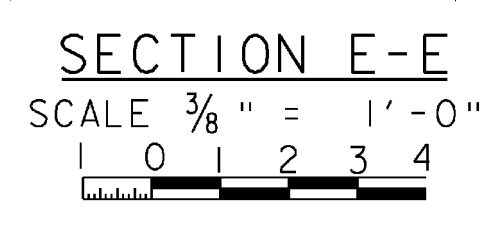
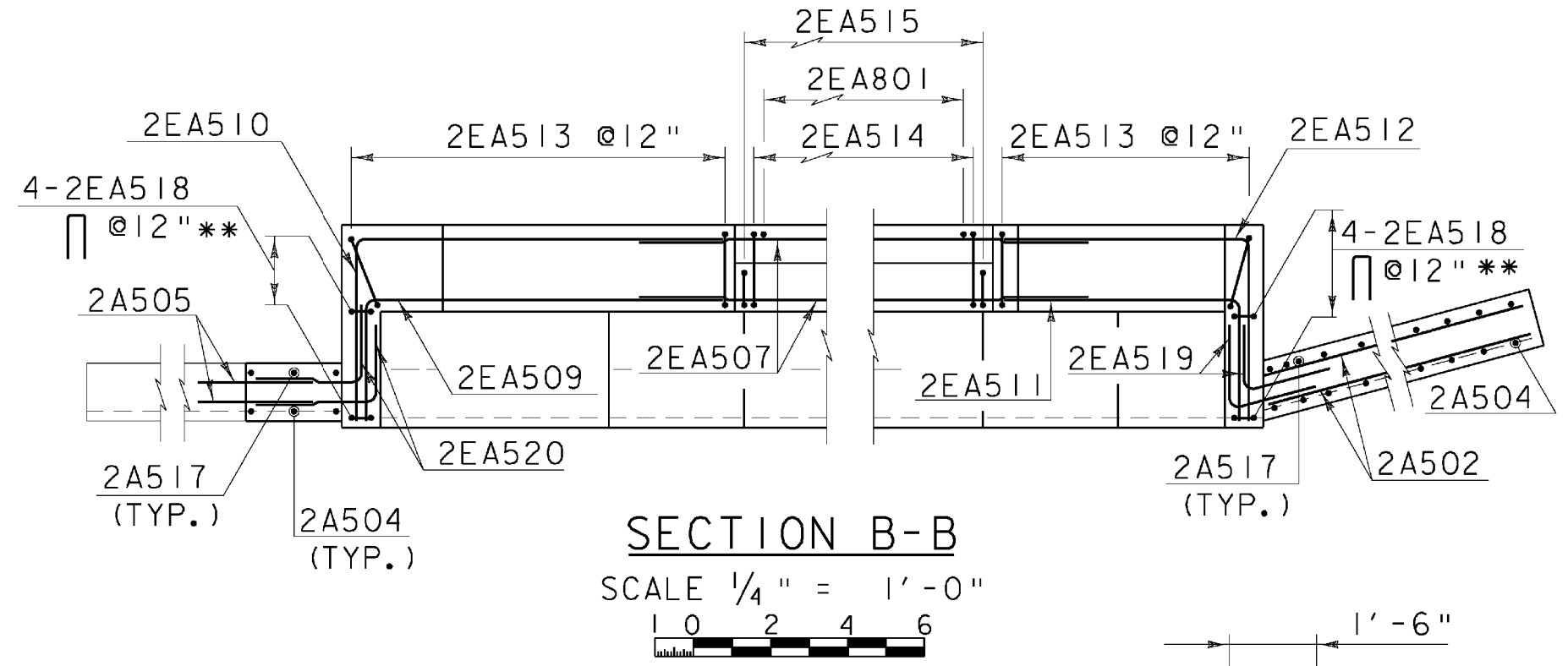
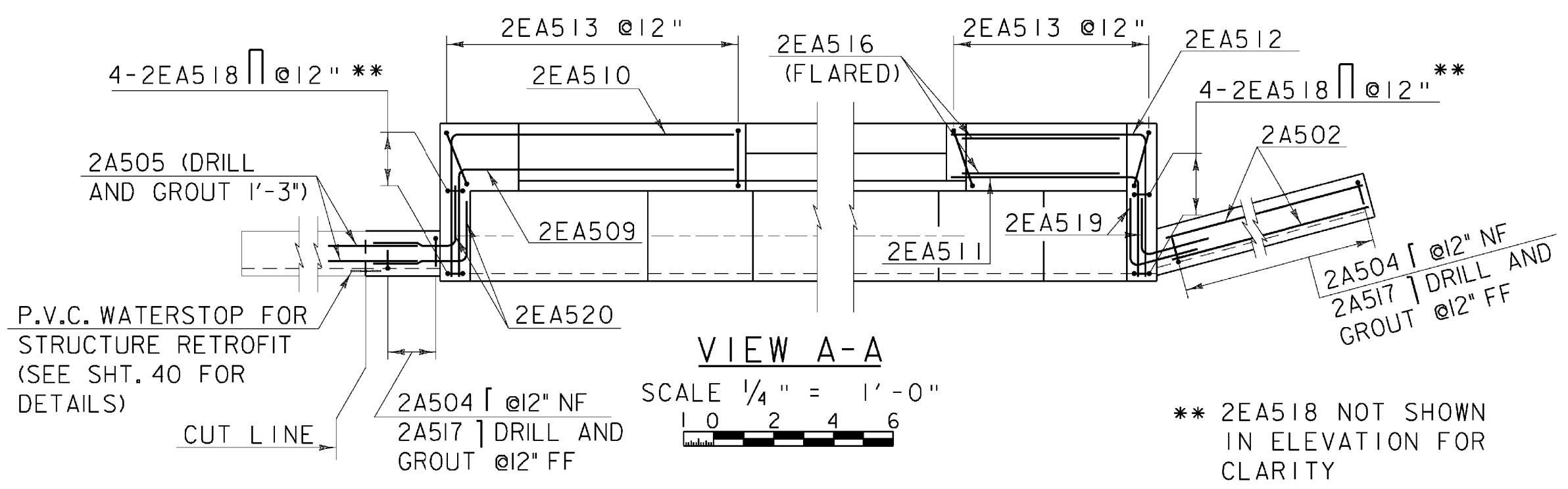
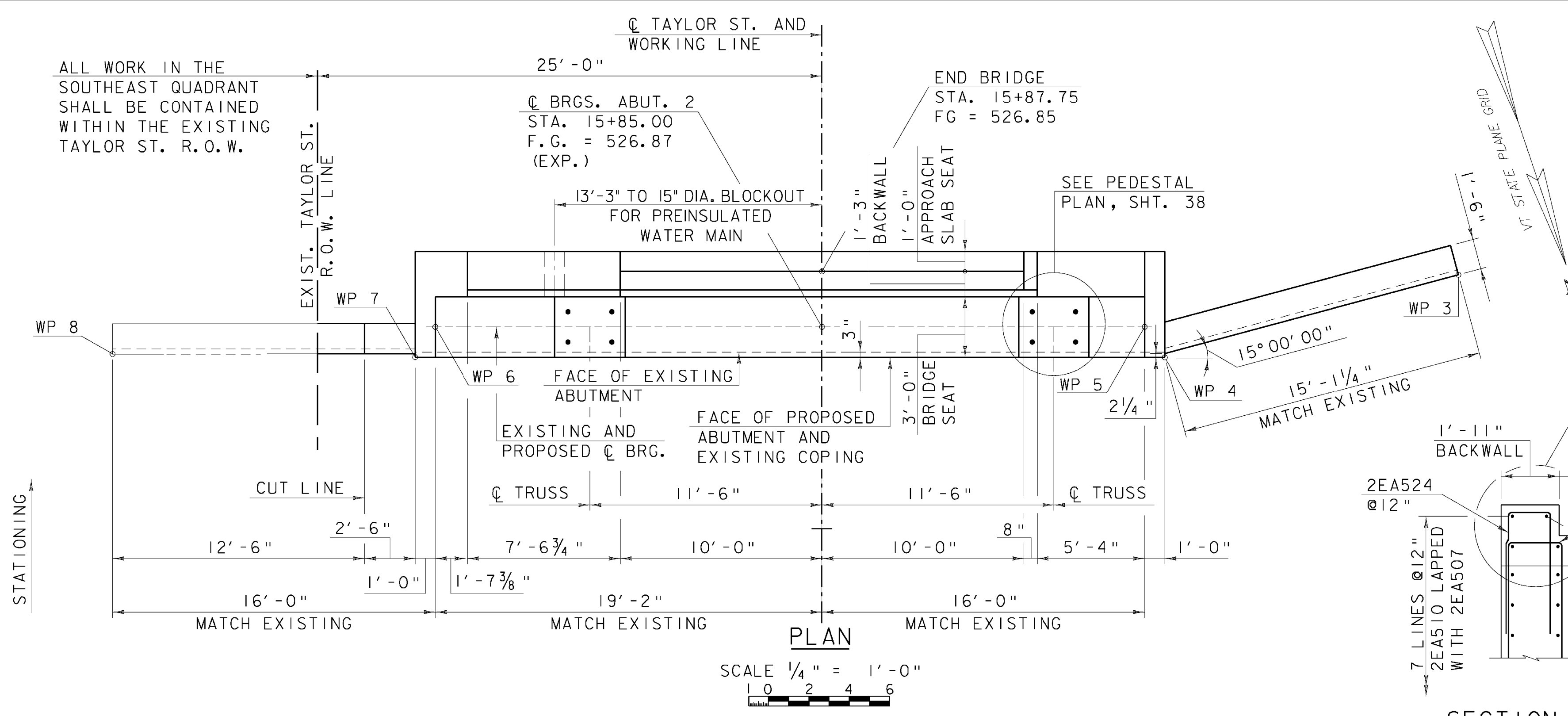
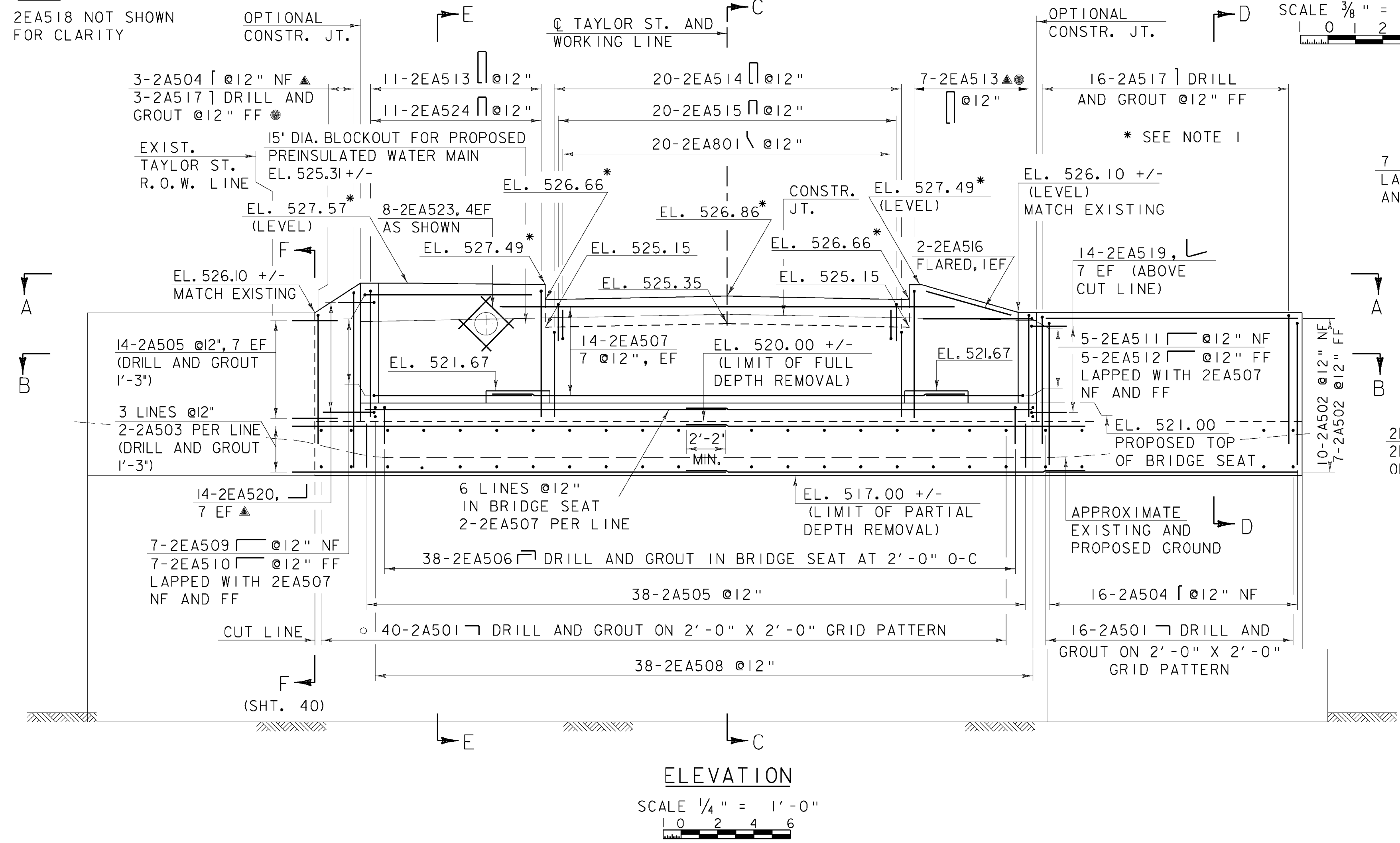


ALL WORK IN THE SOUTHEAST QUADRANT SHALL BE CONTAINED WITHIN THE EXISTING TAYLOR ST. R.O.W.



NOTE:
2EA518 NOT SHOWN FOR CLARITY



- NOTES:
- ELEVATIONS APPLY AT FRONT FACE OF BACKWALL.
 - ALL SUBSTRUCTURE CONCRETE SHALL BE HIGH PERFORMANCE CLASS B AND SHALL BE PAID FOR UNDER ITEM 501.34 CONCRETE, HIGH PERFORMANCE CLASS B.
 - 3" CLR. UNLESS OTHERWISE SPECIFIED ON PLANS.

LEGEND:
NF = NEAR FACE
FF = FAR FACE
EF = EACH FACE
▲ = CUT IN FIELD
● = BEND IN FIELD



| | | |
|------------------------------|---------------------------------------|------------------------|
| PROJECT NAME: MONTPELIER | FILE NAME: \$FILES\$ | PLOT DATE: 10/12/2009 |
| PROJECT NUMBER: BHF 6400(31) | PROJECT MANAGER: SUSAN SCRIBNER | DRAWN BY: D. D'AMATO |
| | DESIGNED BY: D. D'AMATO | CHECKED BY: P. PERKINS |
| | BRIDGE DESIGN SUPERVISOR: P. HALSTEAD | SHEET 39 OF 63 |

FILE NAME: H:\145965\montpelier\plans\ab2\4506_abu.t.dgn
DATE/TIME: 10/12/2009 11:52:22
USER: 2552