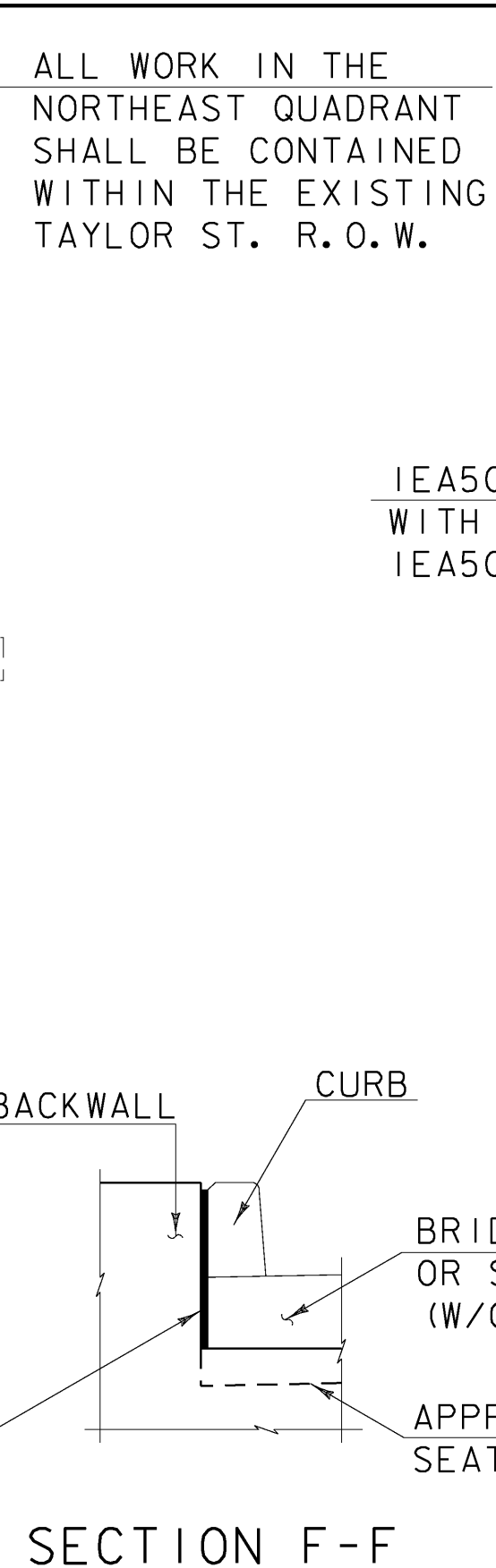
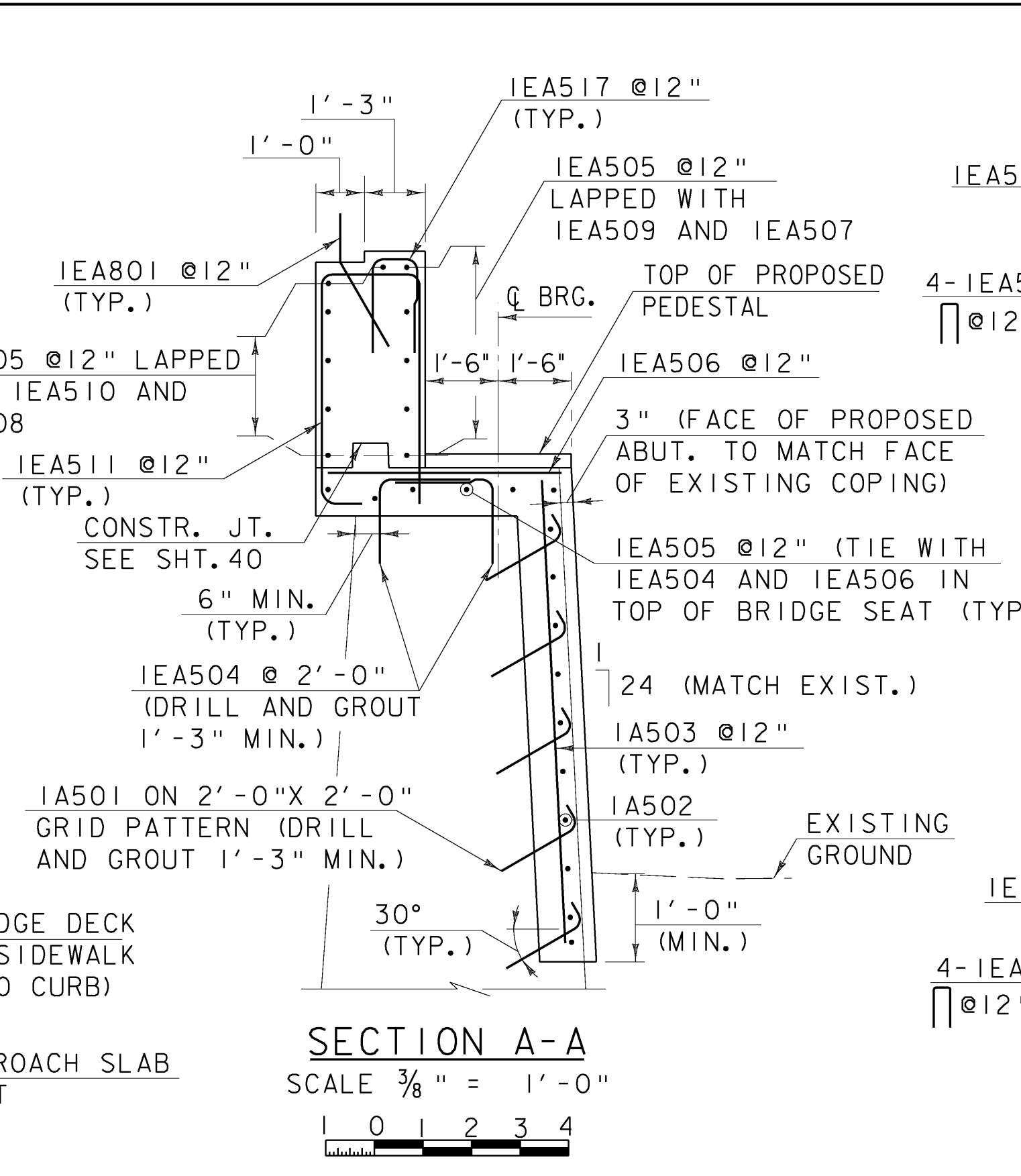


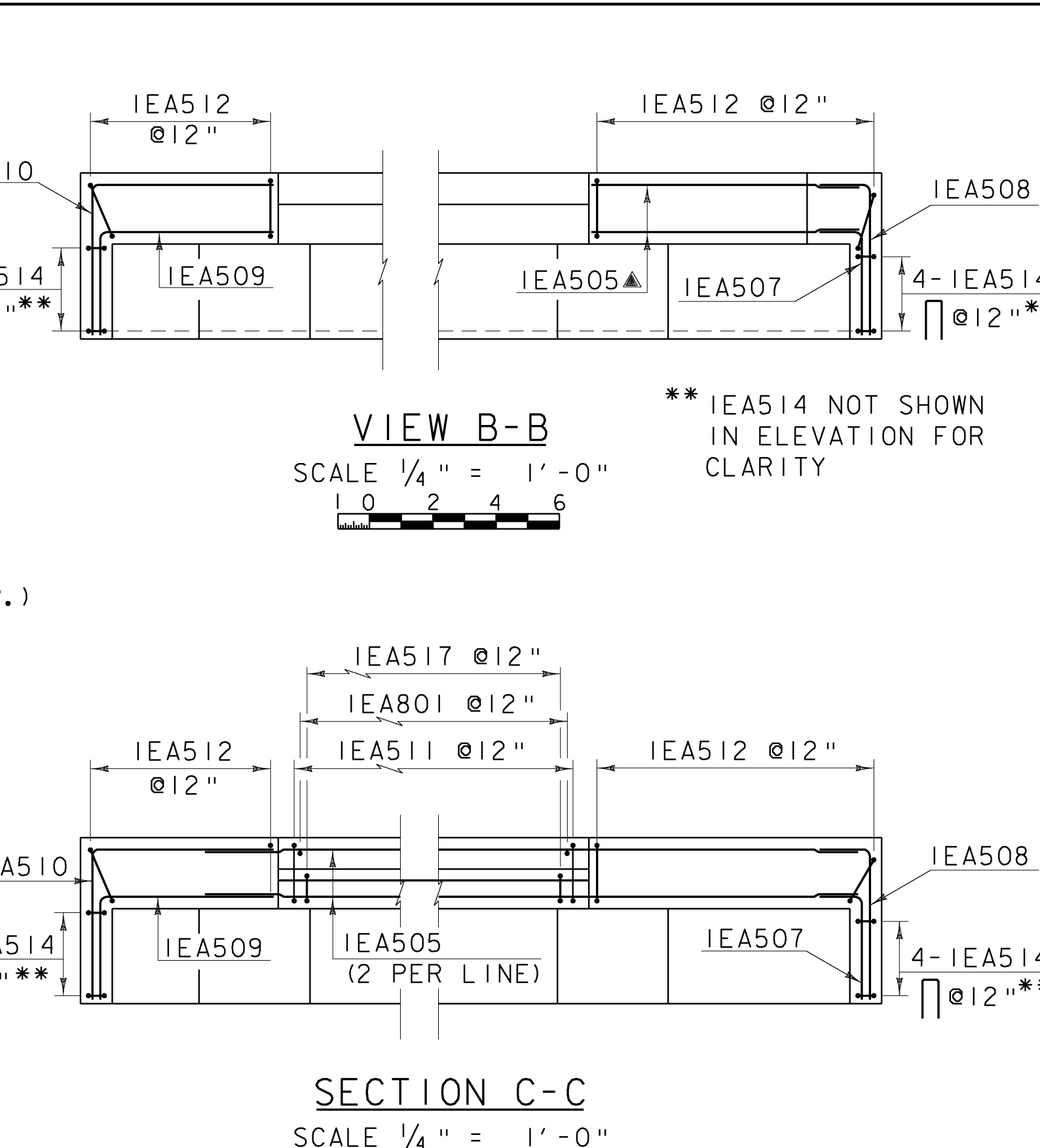
**PLAN**  
SCALE 1/4" = 1'-0"



**SECTION F-F**  
SCALE 1/2" = 1'-0"

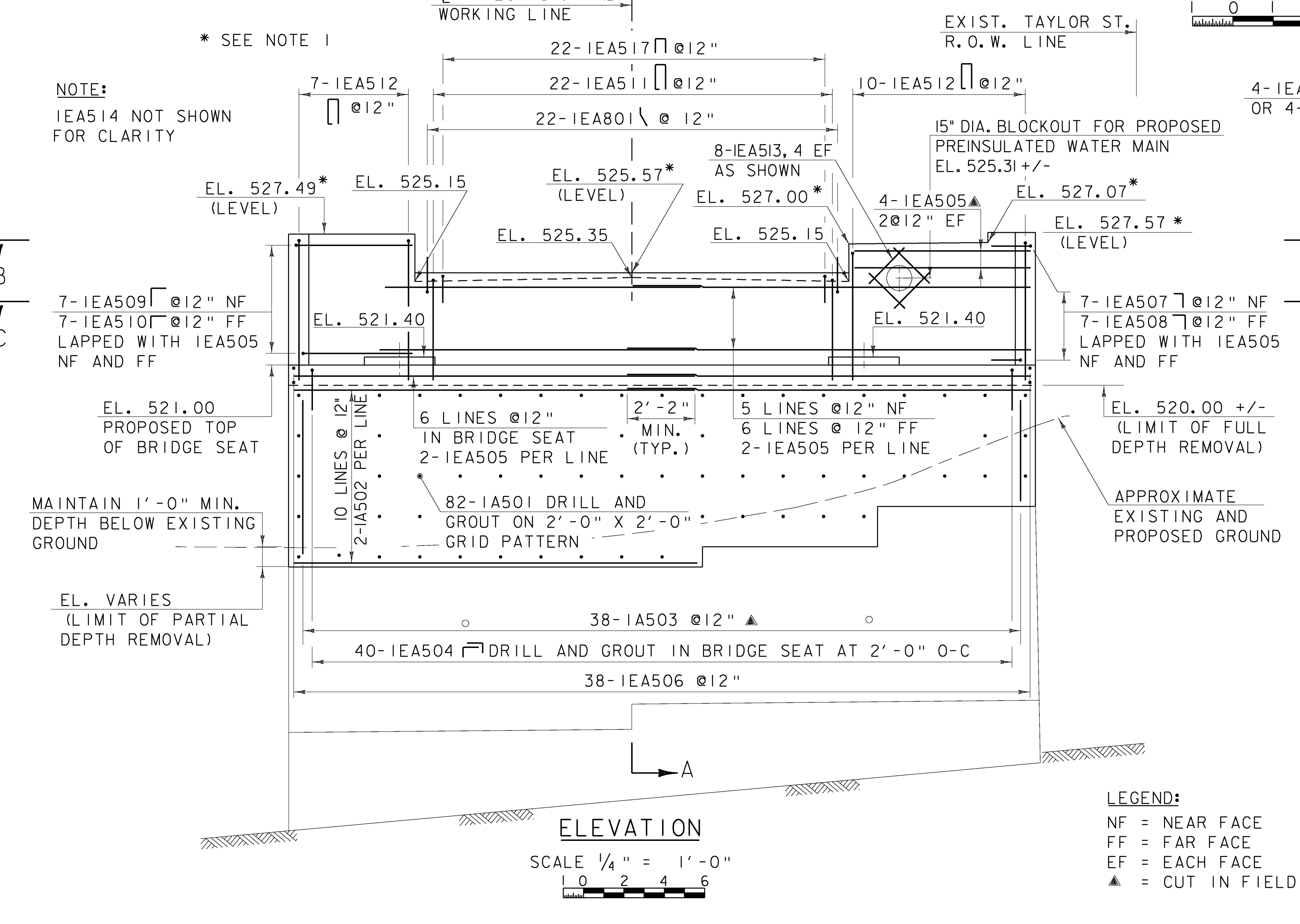


**SECTION A-A**  
SCALE 3/8" = 1'-0"



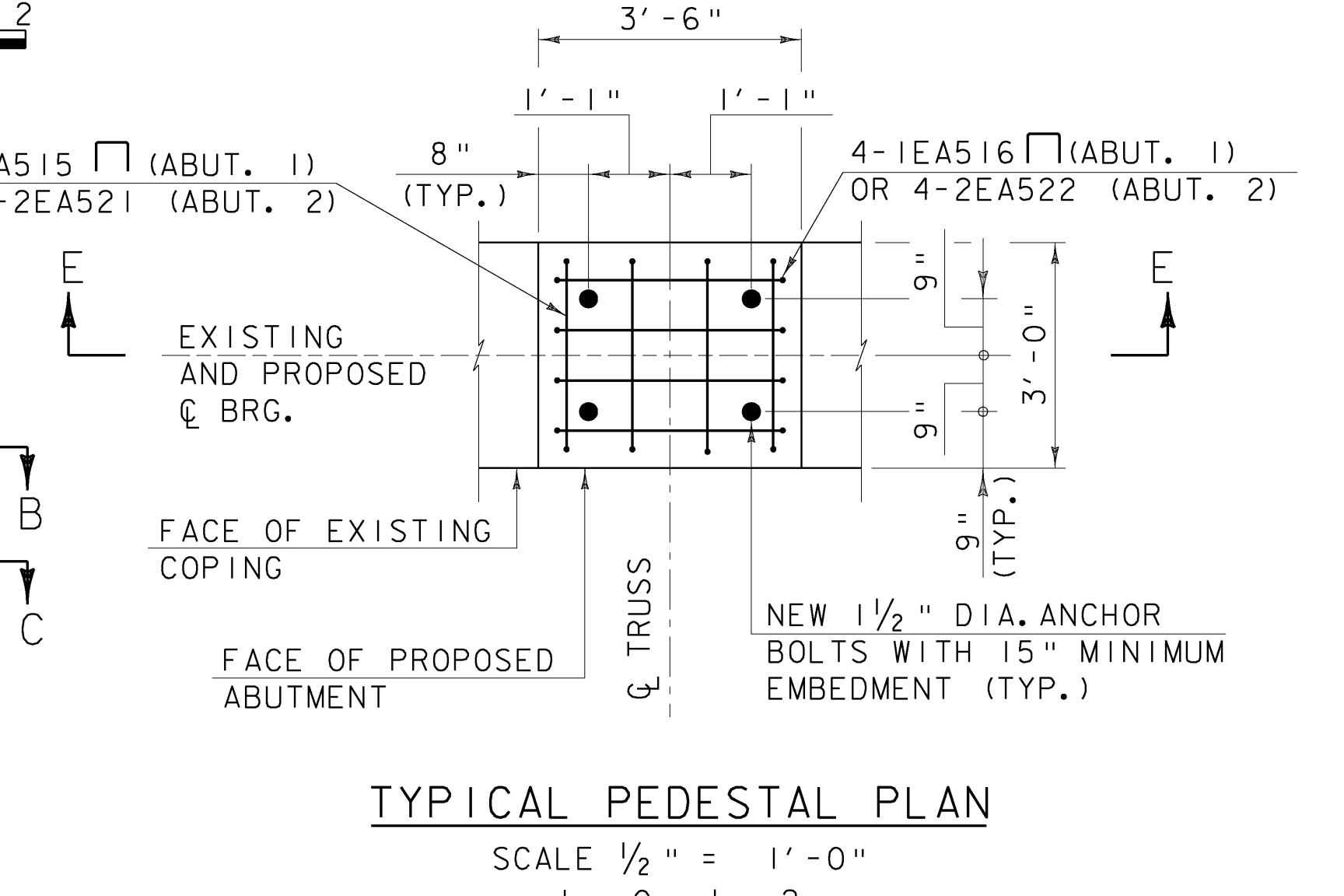
**VIEW B-B**  
SCALE 1/4" = 1'-0"

**SECTION C-C**  
SCALE 1/4" = 1'-0"

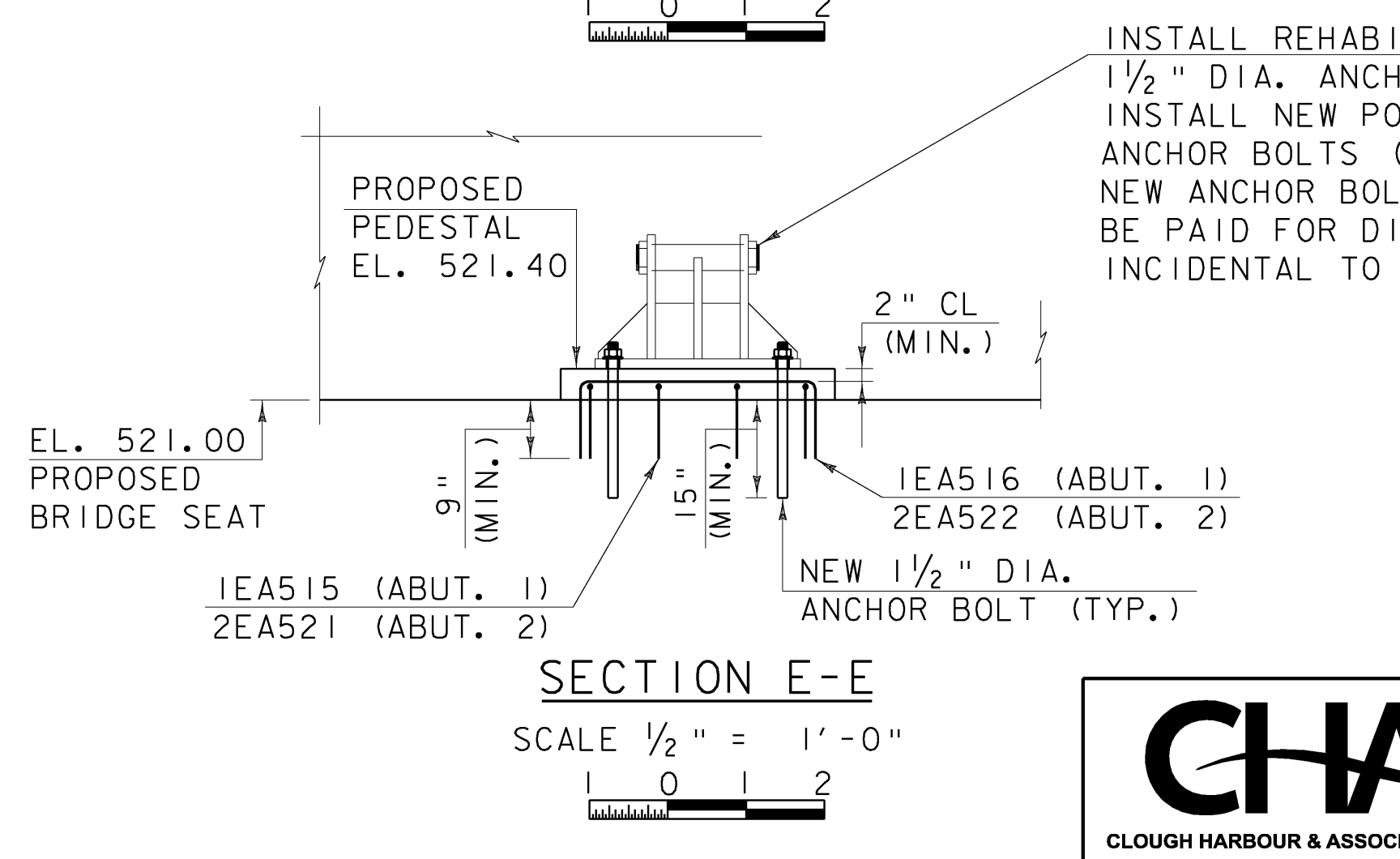


**ELEVATION**  
SCALE 1/4" = 1'-0"

**LEGEND:**  
NF = NEAR FACE  
FF = FAR FACE  
EF = EACH FACE  
▲ = CUT IN FIELD



**TYPICAL PEDESTAL PLAN**  
SCALE 1/2" = 1'-0"



**SECTION E-E**  
SCALE 1/2" = 1'-0"

- NOTES:**
1. ELEVATIONS APPLY AT FRONT FACE OF BACKWALL.
  2. ALL SUBSTRUCTURE CONCRETE SHALL BE HIGH PERFORMANCE CLASS B AND SHALL BE PAID FOR UNDER ITEM 501.34 CONCRETE, HIGH PERFORMANCE CLASS B.
  3. 3" CLR. UNLESS OTHERWISE SPECIFIED ON PLANS.

INSTALL REHABILITATED BEARING ON NEW 1 1/2" DIA. ANCHOR BOLTS (ABUT. 1)  
INSTALL NEW POT BEARING ON NEW 1 1/2" DIA. ANCHOR BOLTS (ABUT. 2) (SEE SHT. 32)  
NEW ANCHOR BOLTS AT ABUTMENT 1 SHALL NOT BE PAID FOR DIRECTLY BUT ARE CONSIDERED INCIDENTAL TO ITEM 501.34.

**ABUTMENT 1 REPAIR DETAILS**

PROJECT NAME: MONTPELIER	PLOT DATE: 10/12/2009
PROJECT NUMBER: BHF 6400(31)	DRAWN BY: D. D'AMATO
FILE NAME: \$FILES\$	CHECKED BY: P. PERKINS
PROJECT MANAGER: SUSAN SCRIBNER	BRIDGE DESIGN SUPERVISOR: P. HALSTEAD
DESIGNED BY: D. D'AMATO	SHEET 38 OF 63



FILE NAME: h:\14596\mtn\p\lens\14596\_abut\_1.dgn  
DATE/TIME: 10/12/2009 10:25:52  
USER: 22562