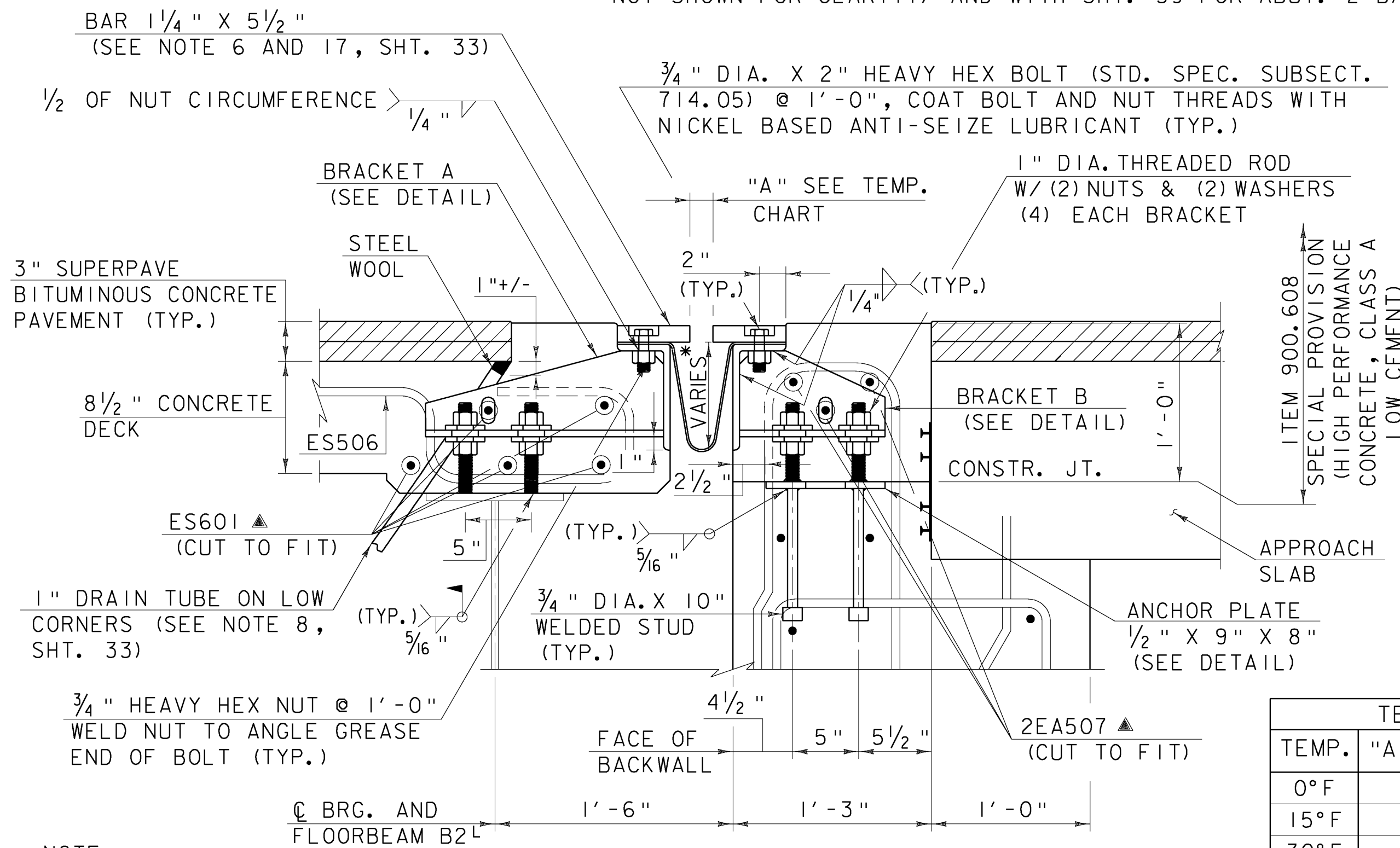


NOTE: WORK THIS SHT. WITH SHT. 28 FOR END OF DECK REINFORCEMENT AT ABUT.2 (ES501, ES502 AND ES508 NOT SHOWN FOR CLARITY) AND WITH SHT. 39 FOR ABUT. 2 BACKWALL REINFORCEMENT.



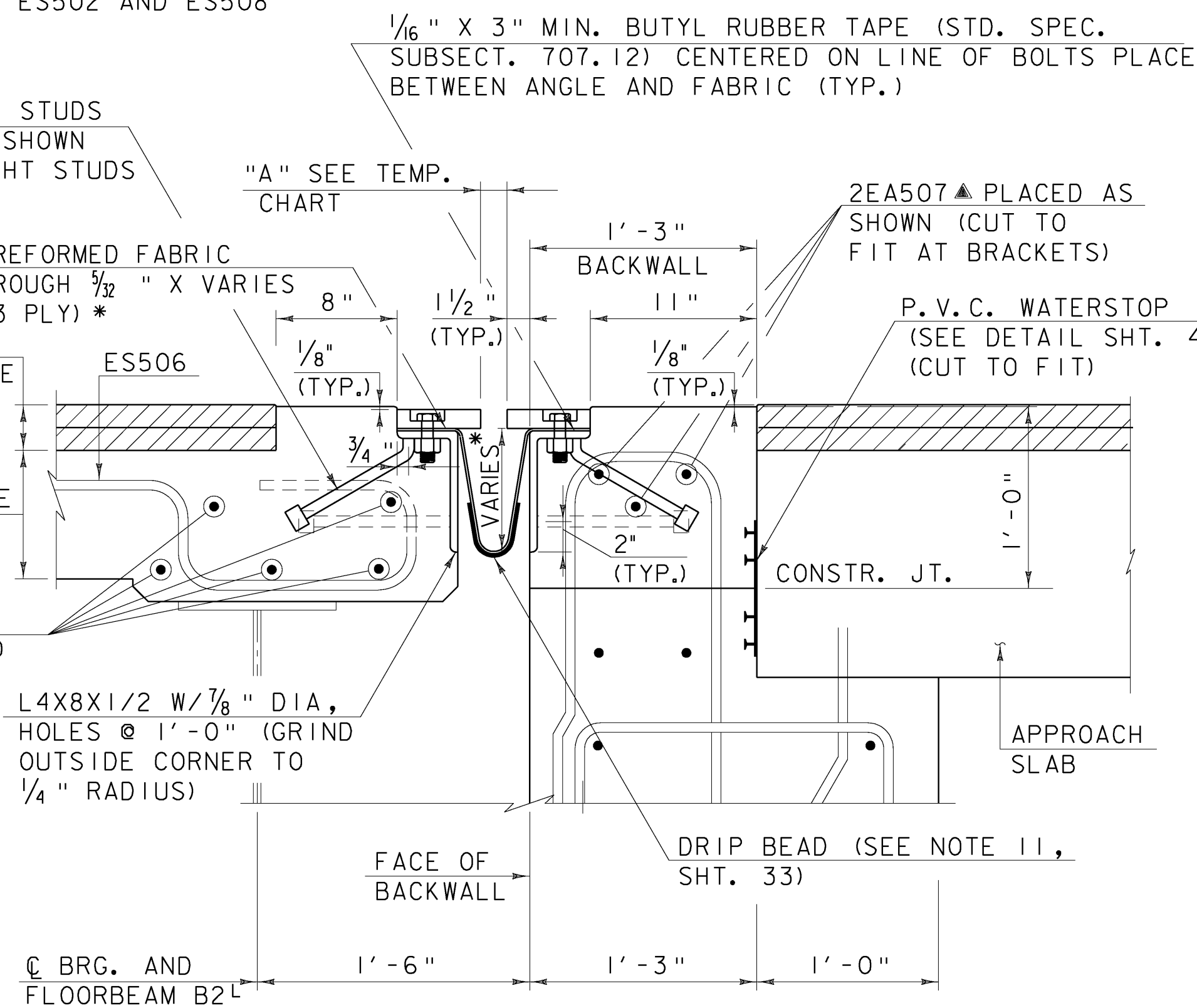
SECTION B-B
(TYPICAL SECTION AT BRACKETS)
SCALE 1 1/2" = 1'-0"

NOTE:
WORK SECTION B-B AND SECTION C-C TOGETHER

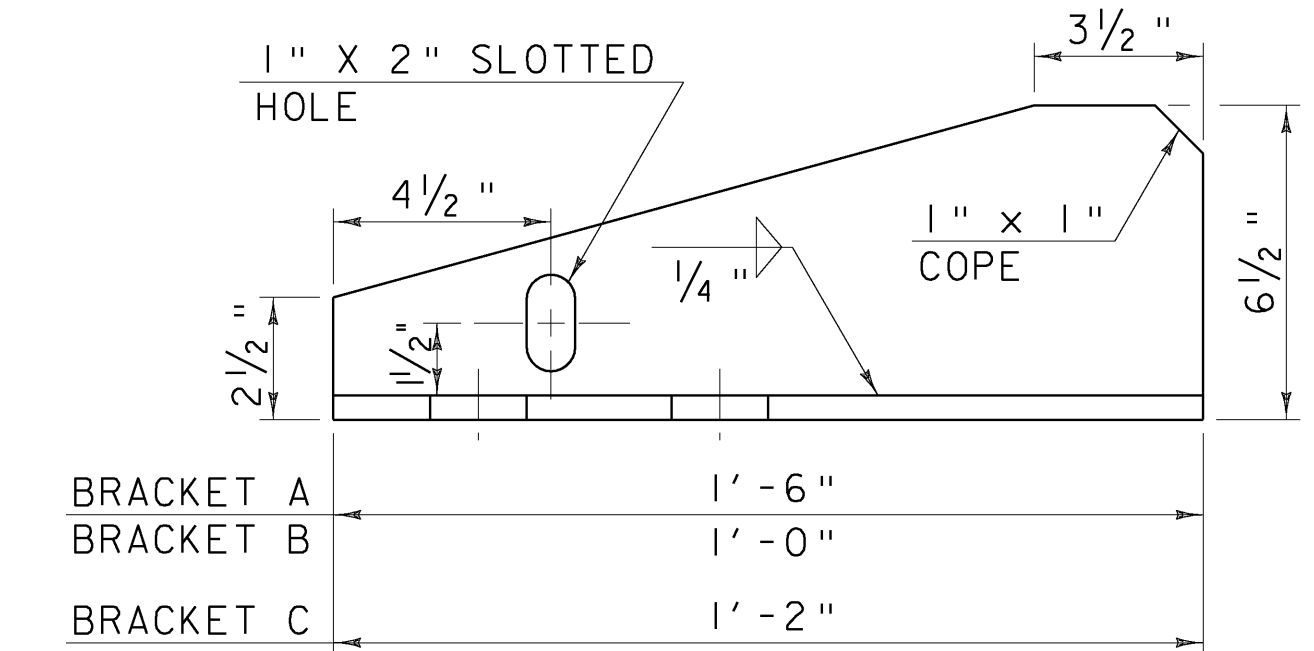
3/4" X 10" WELDED STUDS @ 2'-0" BENT AS SHOWN ALT. WITH STRAIGHT STUDS @ 2'-0" (TYP.)

3" SUPERPAVE BITUMINOUS CONCRETE PAVEMENT (TYP.)

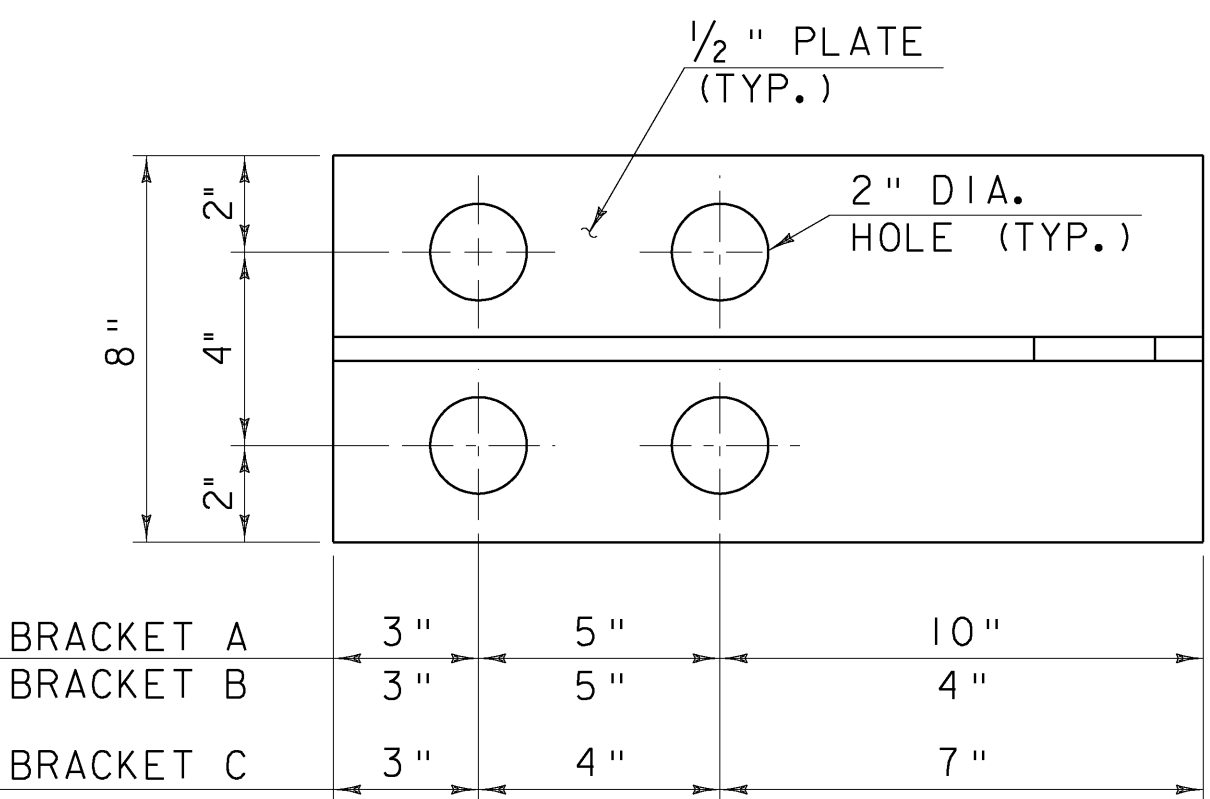
TEMP. CHART		
TEMP.	"A" DIST.	"X" DIST.
0°F	2 5/16"	2 5/16"
15°F	2 1/8"	2 1/8"
30°F	1 9/16"	1 5/8"
45°F	1 3/4"	1 3/4"
60°F	1 9/16"	1 9/16"
75°F	1 3/8"	1 3/8"
90°F	1 3/16"	1 3/16"
105°F	1"	1"



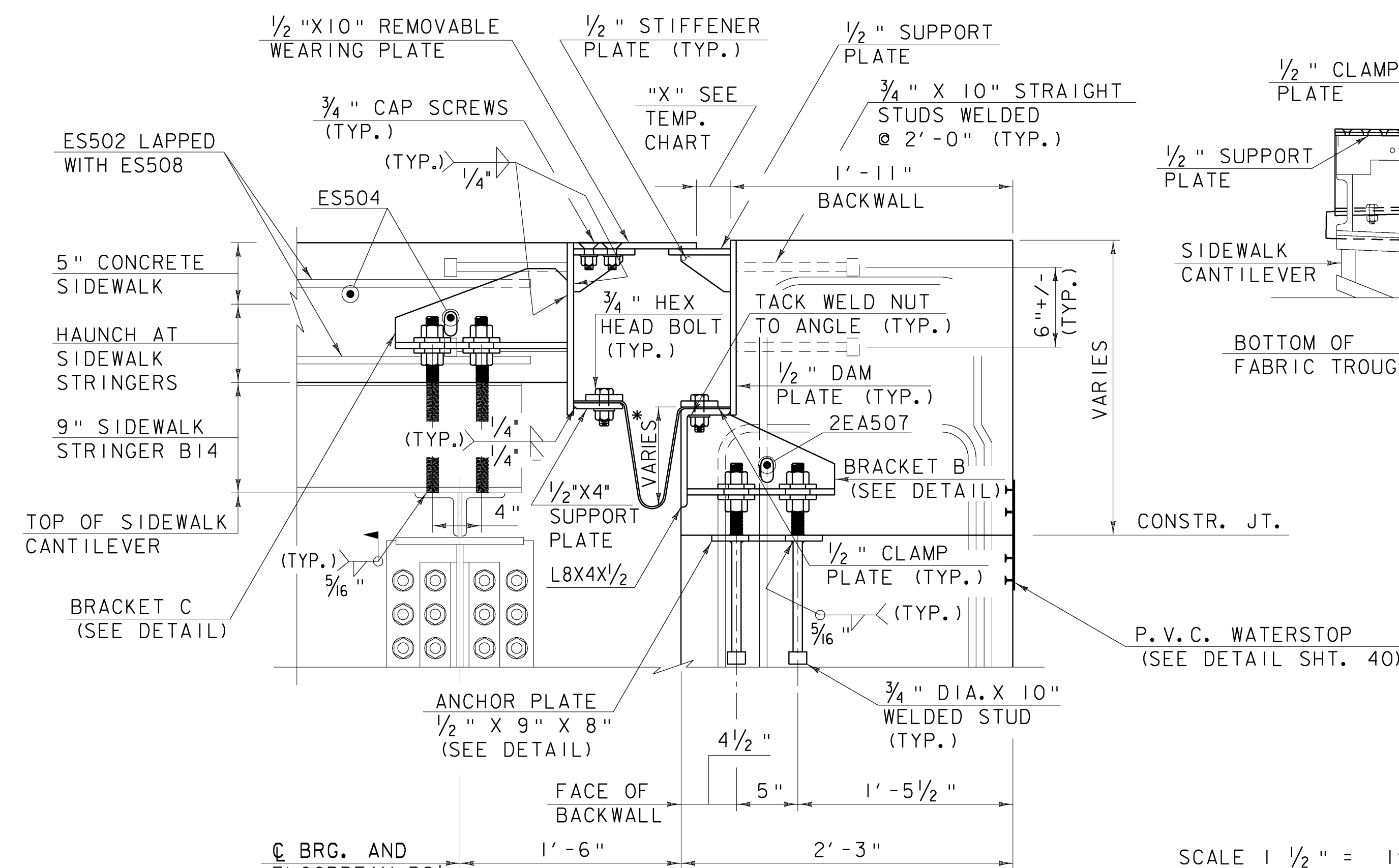
SECTION C-C
(TYPICAL SECTION BETWEEN BRACKETS)
SCALE 1 1/2" = 1'-0"



BRACKET ELEVATION
SCALE 3" = 1'-0"



BRACKET PLAN
SCALE 3" = 1'-0"

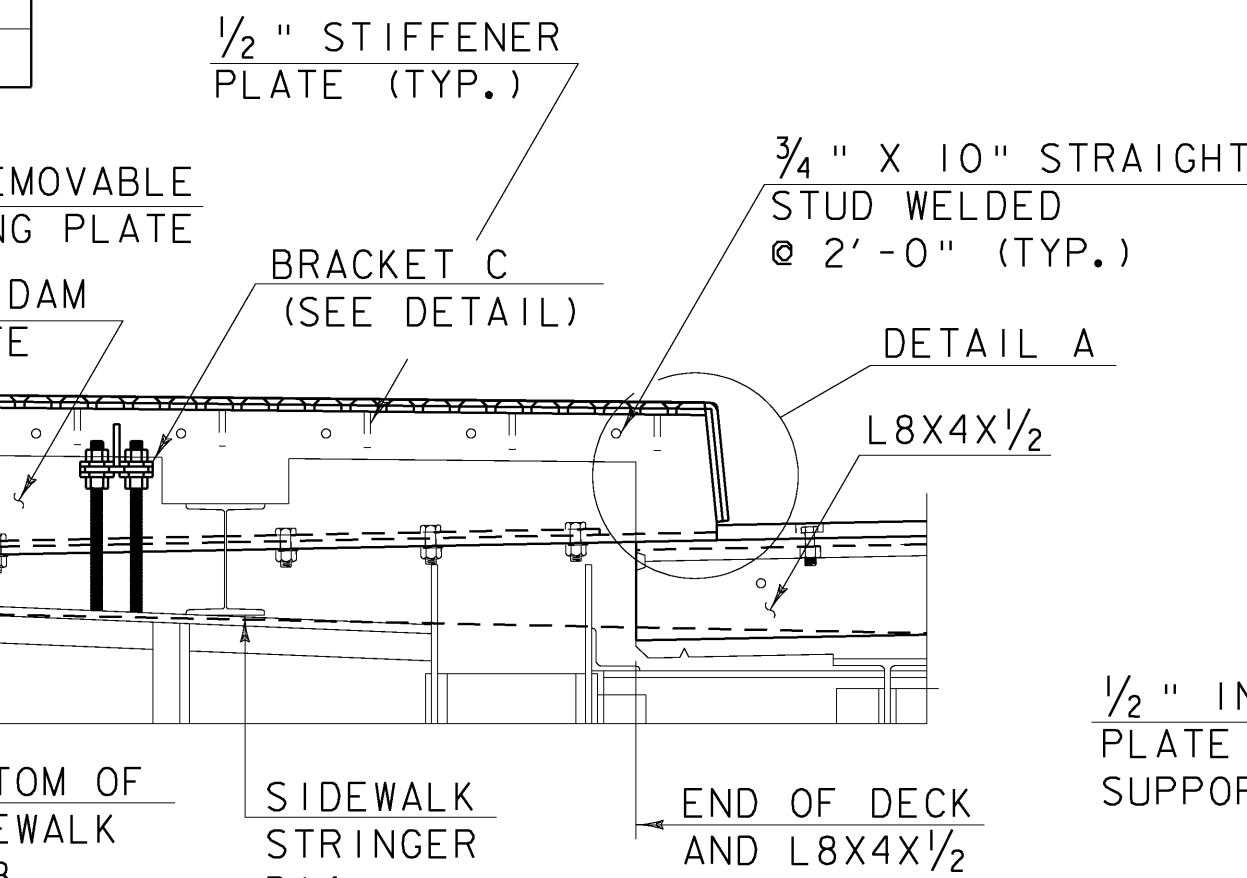
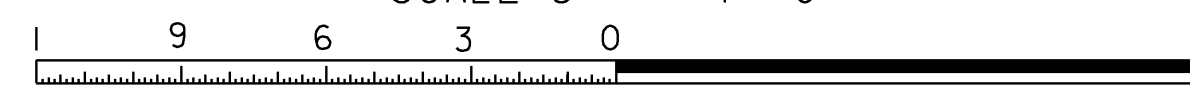


SECTION D-D
(TYPICAL SECTION AT SIDEWALK)
SCALE 1 1/2" = 1'-0"

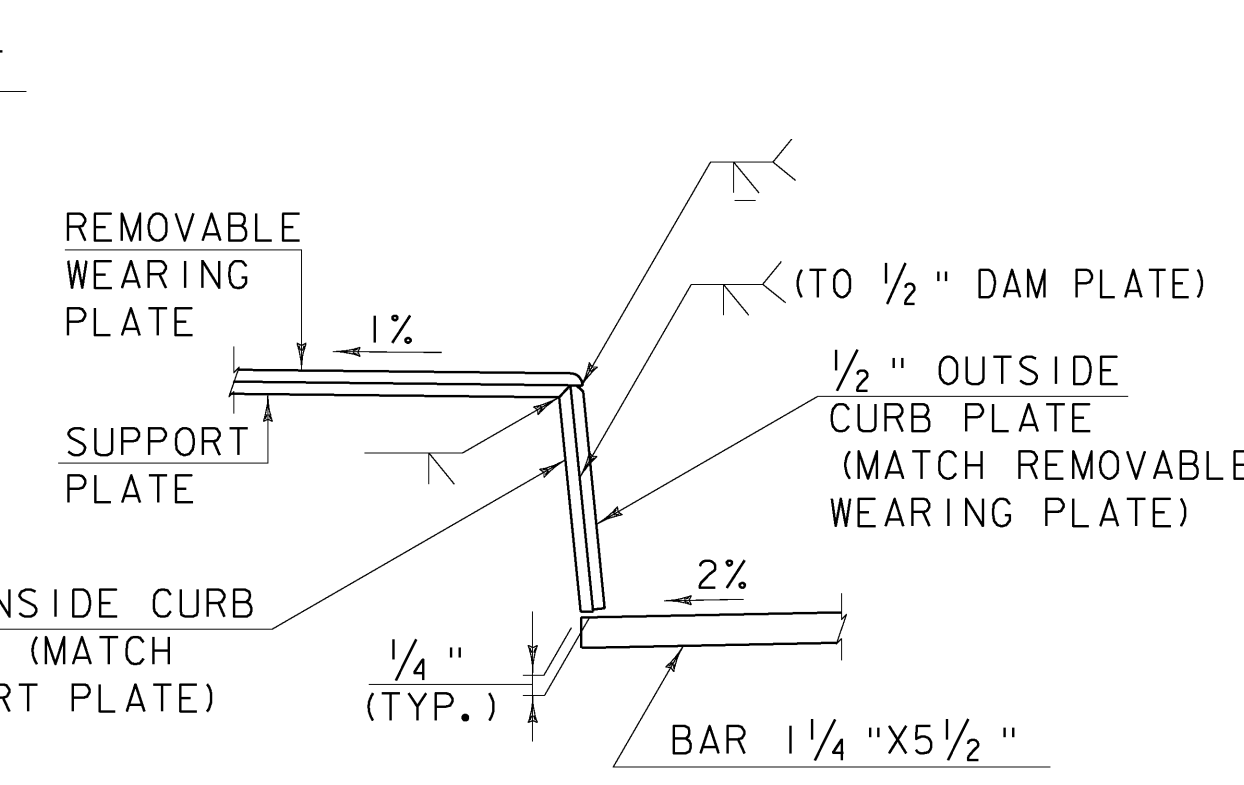
SCALE 1 1/2" = 1'-0"
1 9 6 3 0

SCALE 3/4" = 1'-0"
1 0 2

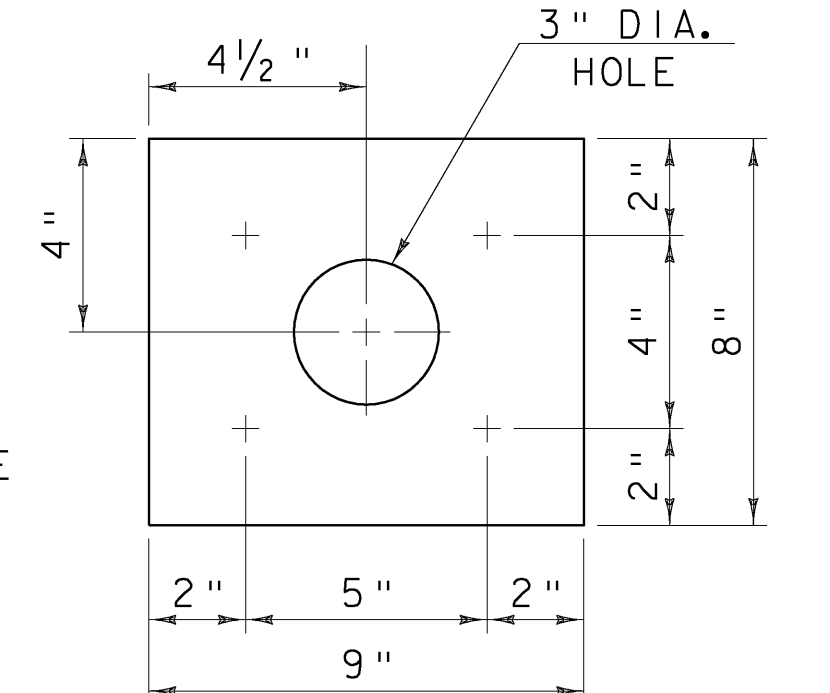
SCALE 3" = 1'-0"
1 9 6 3 0



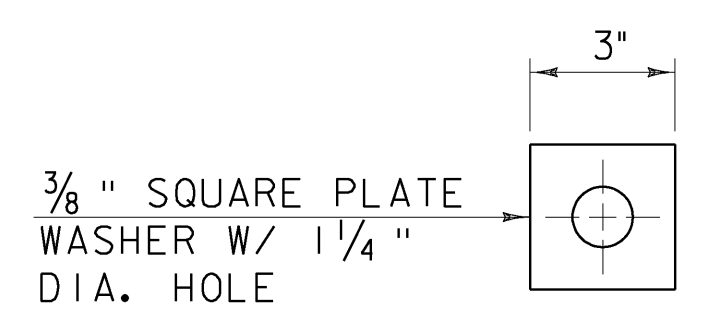
SECTION E-E
SCALE 3/4" = 1'-0"



DETAIL A
SCALE 1 1/2" = 1'-0"



ANCHOR PLATE PLAN
SCALE 3" = 1'-0"
(GALVANIZING OR METALIZING NOT REQUIRED)



WASHER FOR BRACKET
SCALE 3" = 1'-0"

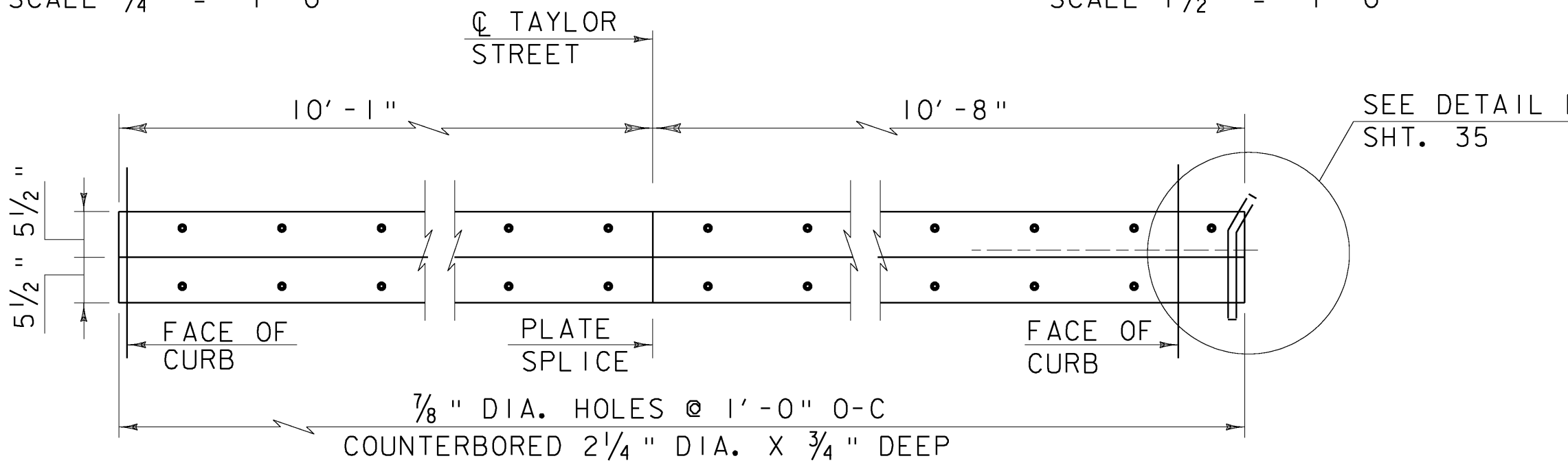


PLATE DETAIL
SCALE 3/4" = 1'-0"

EXPANSION JOINT DETAILS

PROJECT NAME: MONTPELIER
PROJECT NUMBER: BHF 6400(31)

FILE NAME: \$FILES\$
PROJECT MANAGER: SUSAN SCRIBNER
DESIGNED BY: D. D'AMATO
BRIDGE DESIGN SUPERVISOR: P. HALSTEAD

PLOT DATE: 10/12/2009
DRAWN BY: D. D'AMATO
CHECKED BY: P. PERKINS
SHEET 34 OF 63



FILE NAME: h:\14590\montpelier\pl\lona\l4596.dwg
DATE/TIME: 10/12/2009 10:25:52
USER: pperkins