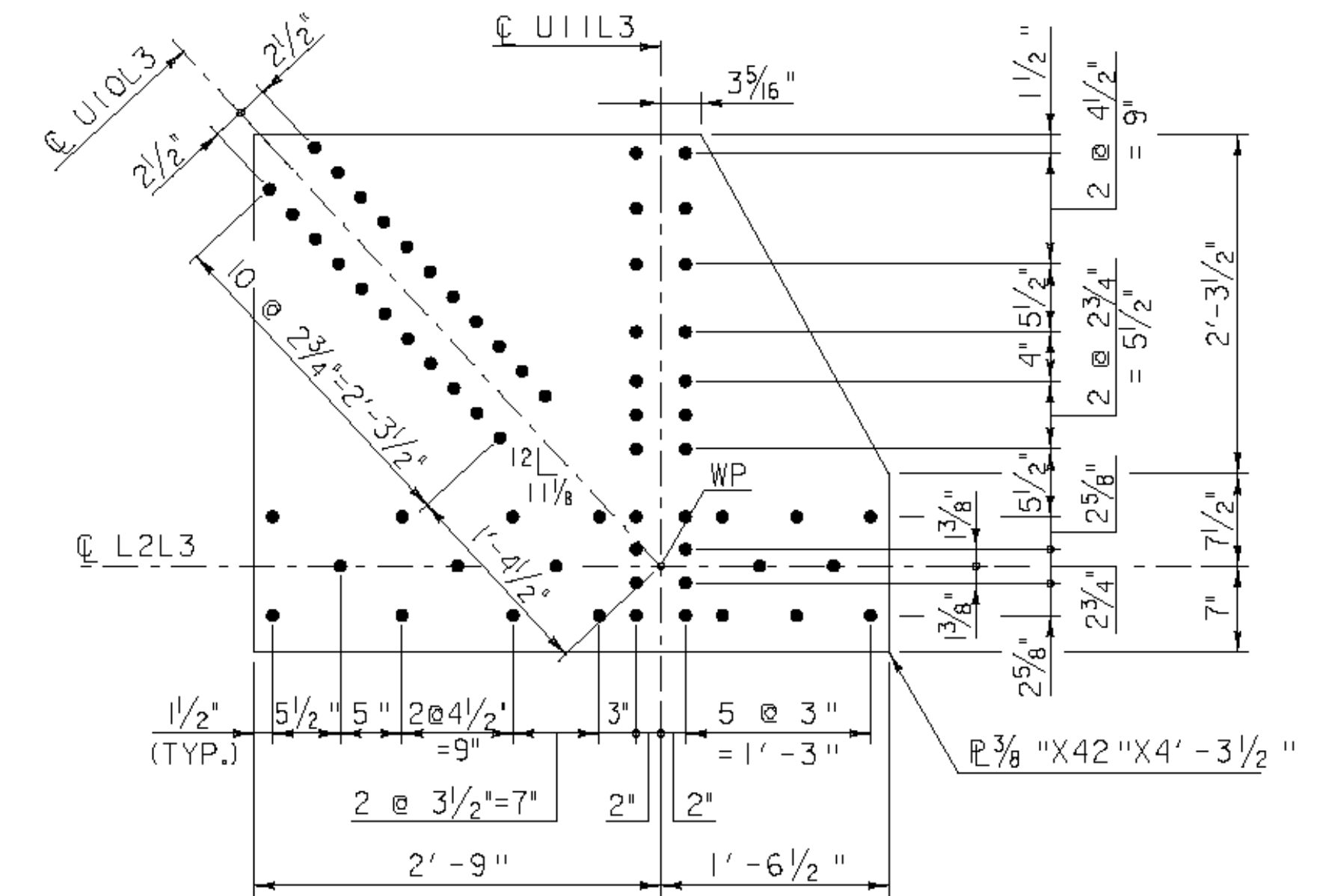
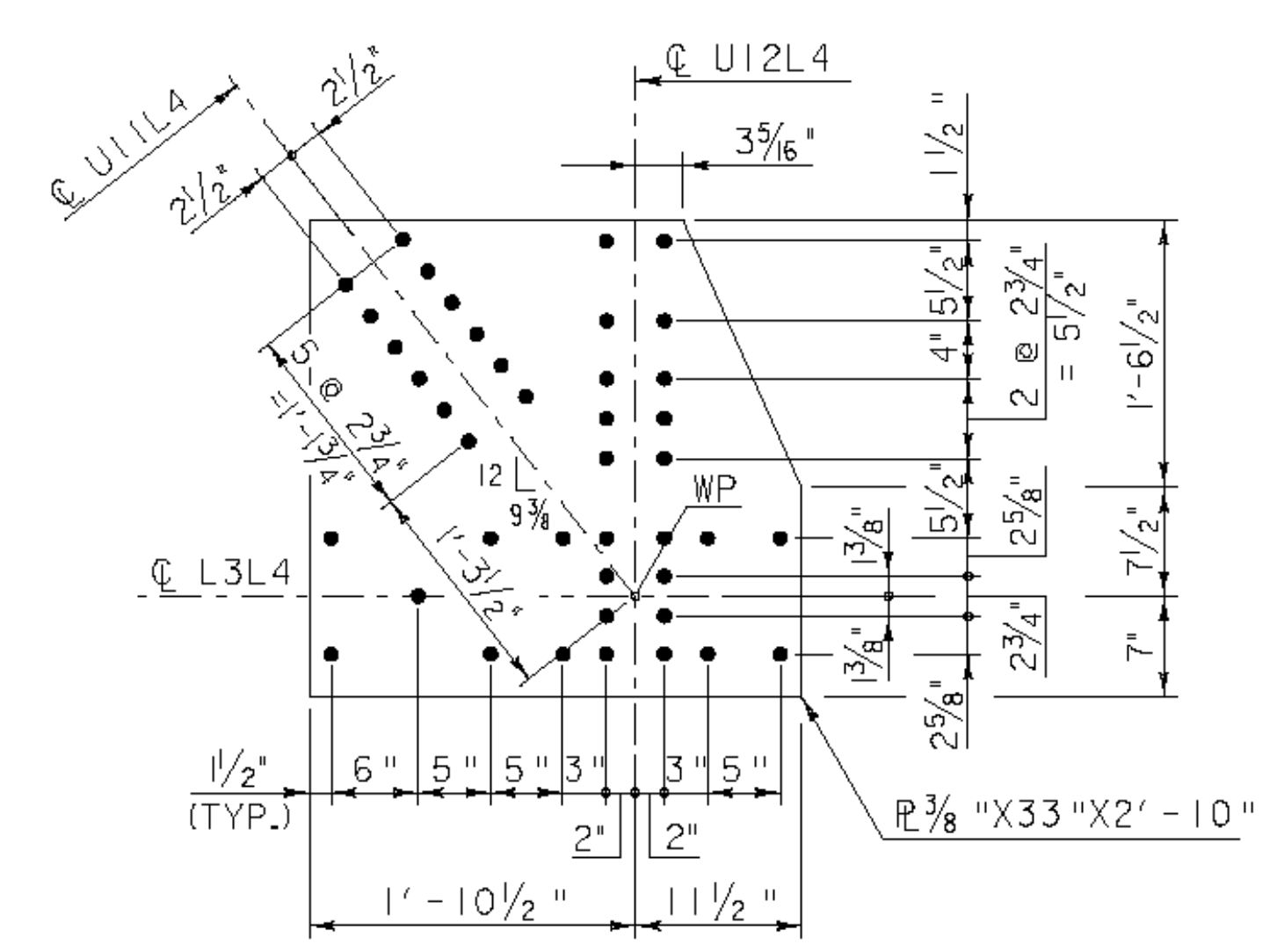


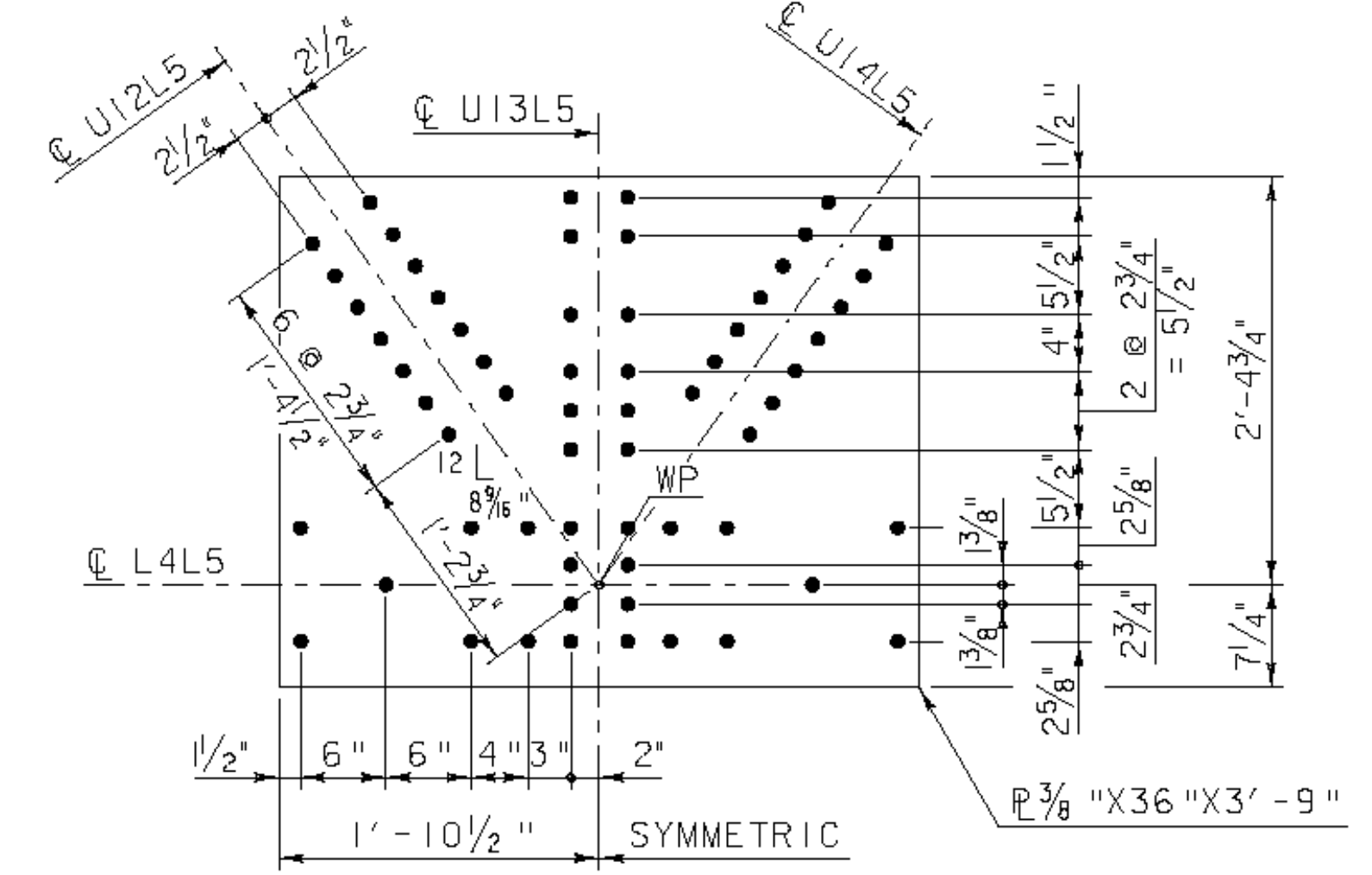
GUSSET PLATE G22
(L2 SHOWN, L8 SIMILAR)
SCALE 1" = 1'-0"



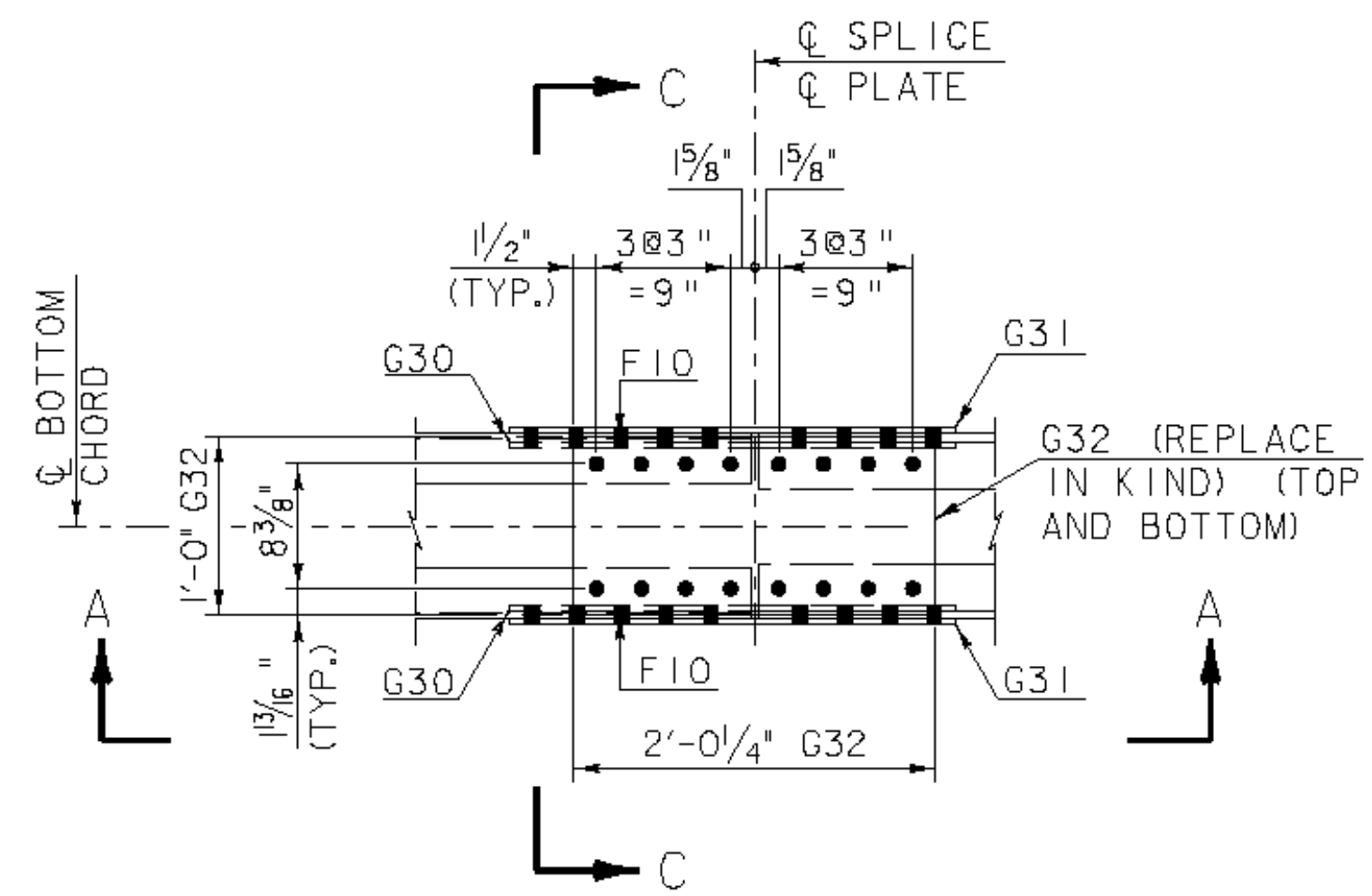
GUSSET PLATE G23
(L3 SHOWN, L7 OPPOSITE HAND)
SCALE 1" = 1'-0"



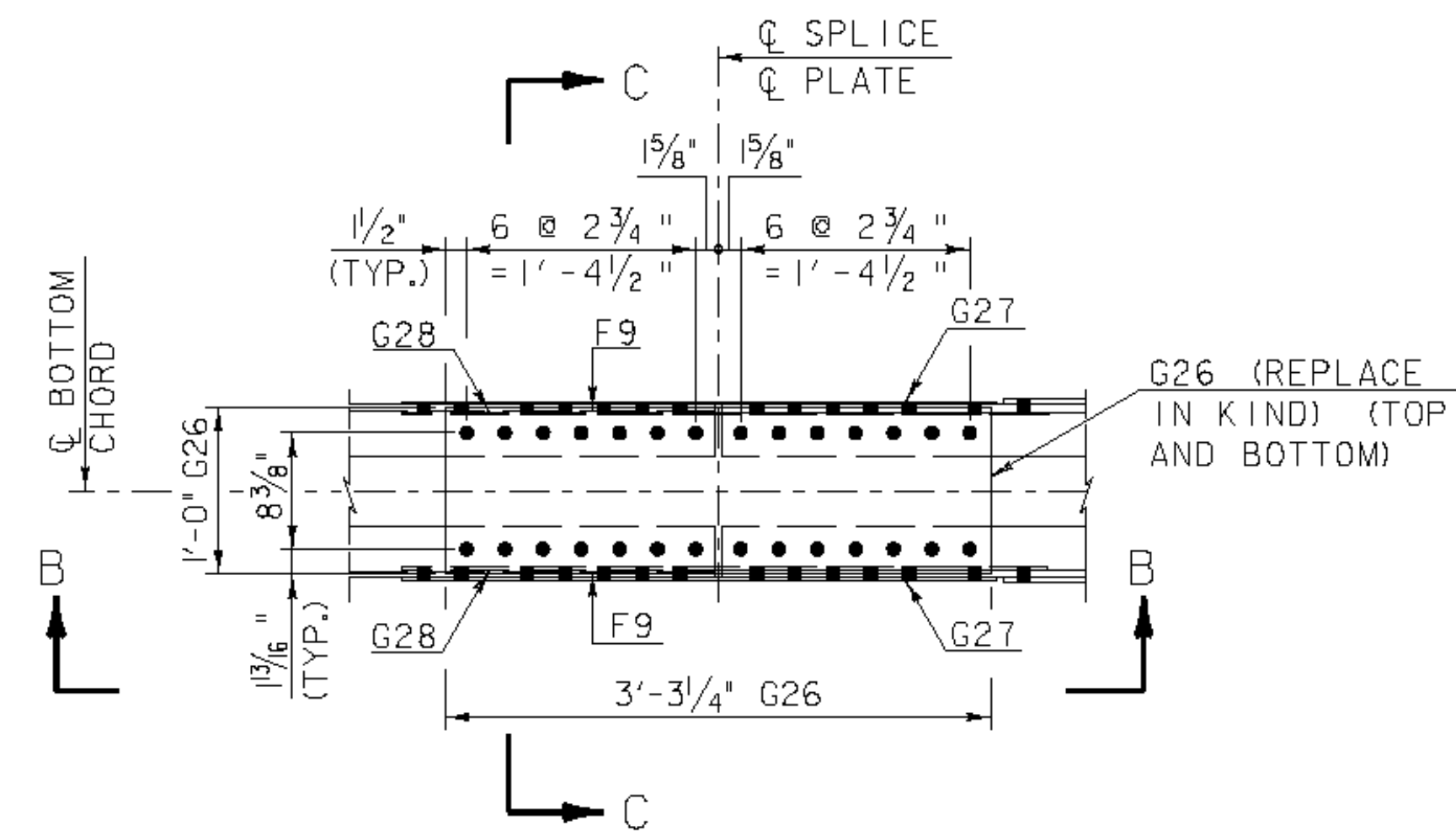
GUSSET PLATE G24
(L4 SHOWN, L6 OPPOSITE HAND)
SCALE 1" = 1'-0"



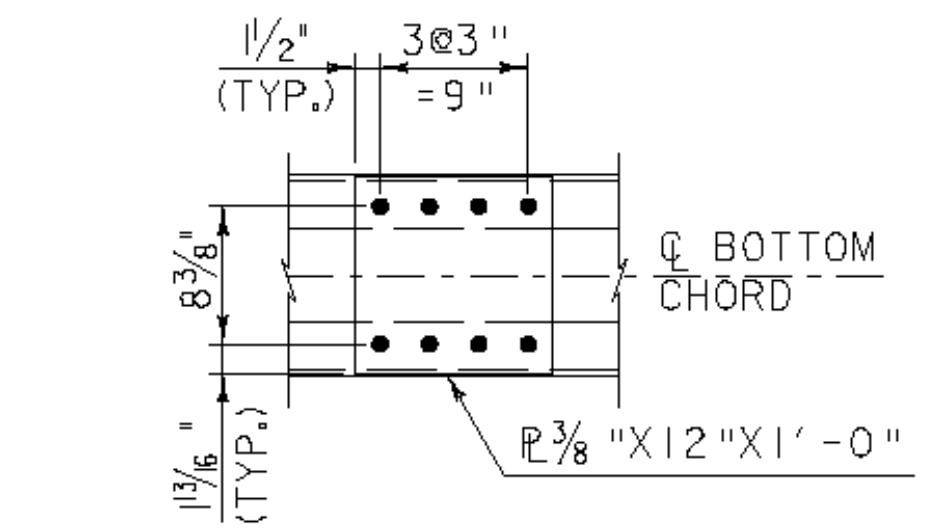
GUSSET PLATE G25
SCALE 1" = 1'-0"



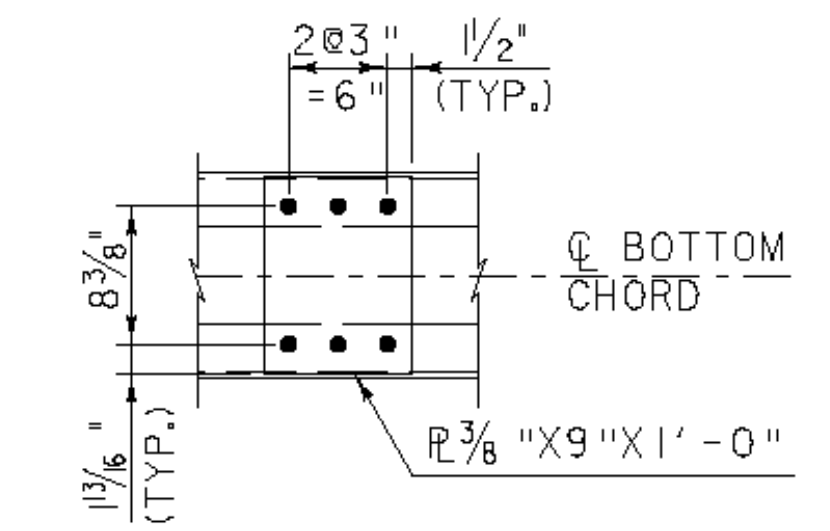
PLAN - SPLICE S1 AND S4
SCALE 1" = 1'-0"



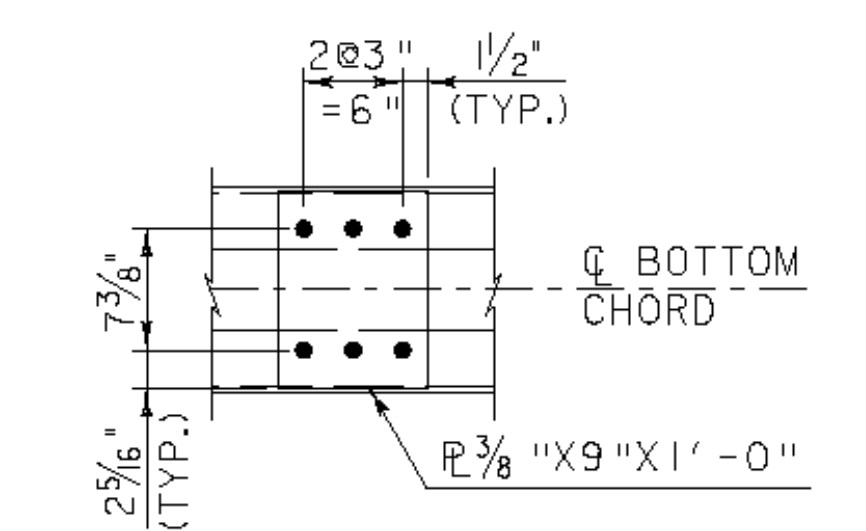
PLAN - SPLICE S2 AND S3
SCALE 1" = 1'-0"



PLAN - BATTEN PLATE G39
SCALE 1" = 1'-0"



PLAN - BATTEN PLATE G40
SCALE 1" = 1'-0"



PLAN - BATTEN PLATE G41
SCALE 1" = 1'-0"

ADDITIONAL REPAIR REQUIREMENTS (WEST TRUSS):

- GUSSET PLATE - MEMBER G22: REPLACE INBOARD AT L8, 1-P 3/8" X 15" X 3'-0"
- SPLICE PLATE - MEMBER G32: REPLACE BOTTOM AT S1, 1-P 3/8" X 12" X 2'-0 1/4"
- SPLICE PLATE - MEMBER G26: REPLACE BOTTOM AT S3, 1-P 3/8" X 12" X 3'-3 1/4"
- SPLICE PLATE - MEMBER G32: REPLACE BOTTOM AT S4, 1-P 3/8" X 12" X 2'-0 1/4"

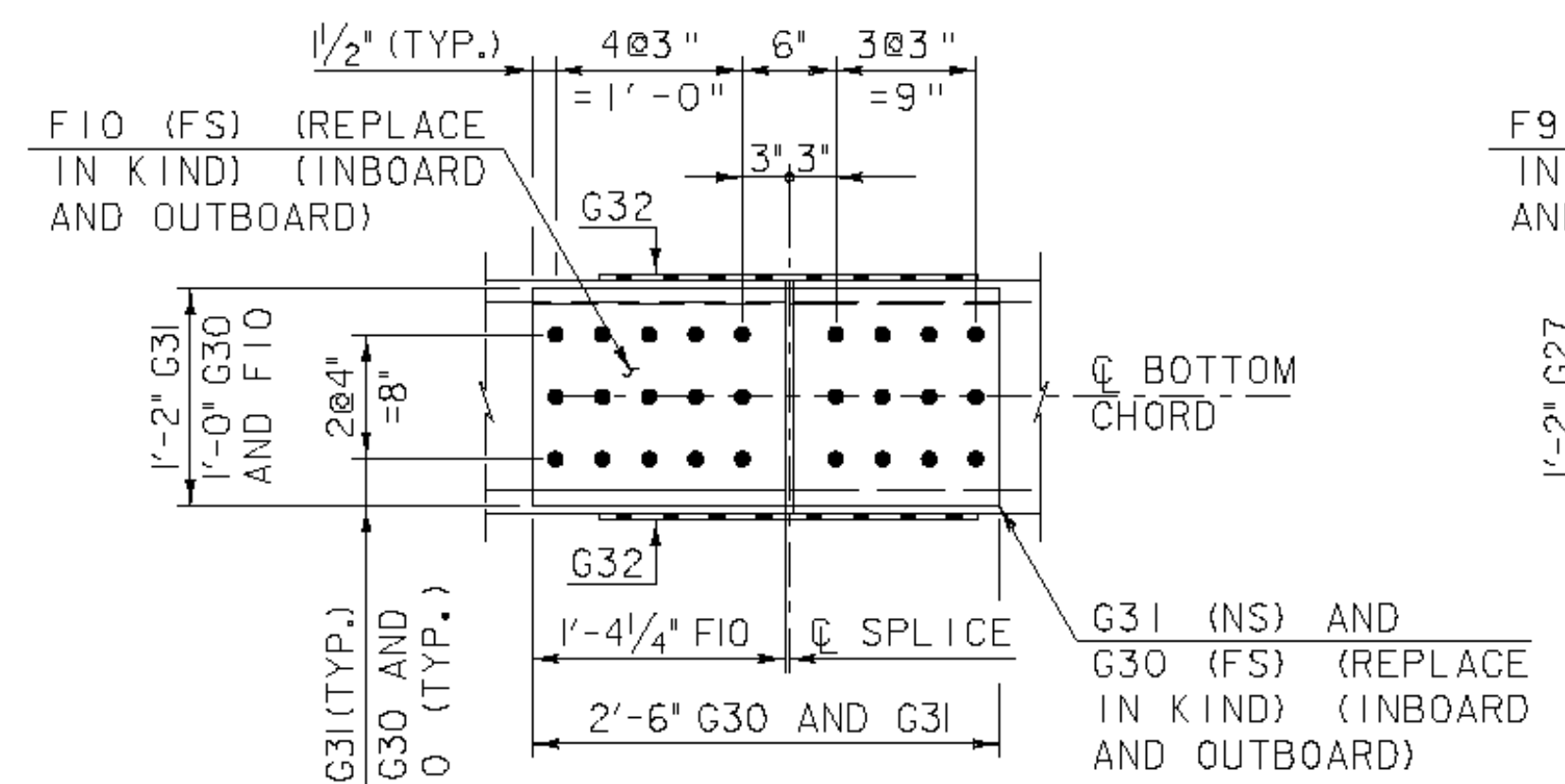
ADDITIONAL REPAIR REQUIREMENTS (EAST TRUSS):

- GUSSET PLATE - MEMBER G22: REPLACE INBOARD AND OUTBOARD AT L2 AND L8, 4-P 3/8" X 15" X 3'-0"
- GUSSET PLATE - MEMBER G23: REPLACE INBOARD AND OUTBOARD AT L3 AND L7, 4-P 3/8" X 42" X 4'-3 1/2"
- GUSSET PLATE - MEMBER G24: REPLACE INBOARD AND OUTBOARD AT L4 AND L6, 4-P 3/8" X 33" X 2'-10"
- GUSSET PLATE - MEMBER G25: REPLACE INBOARD AND OUTBOARD AT L5, 2-P 3/8" X 36" X 3'-9"

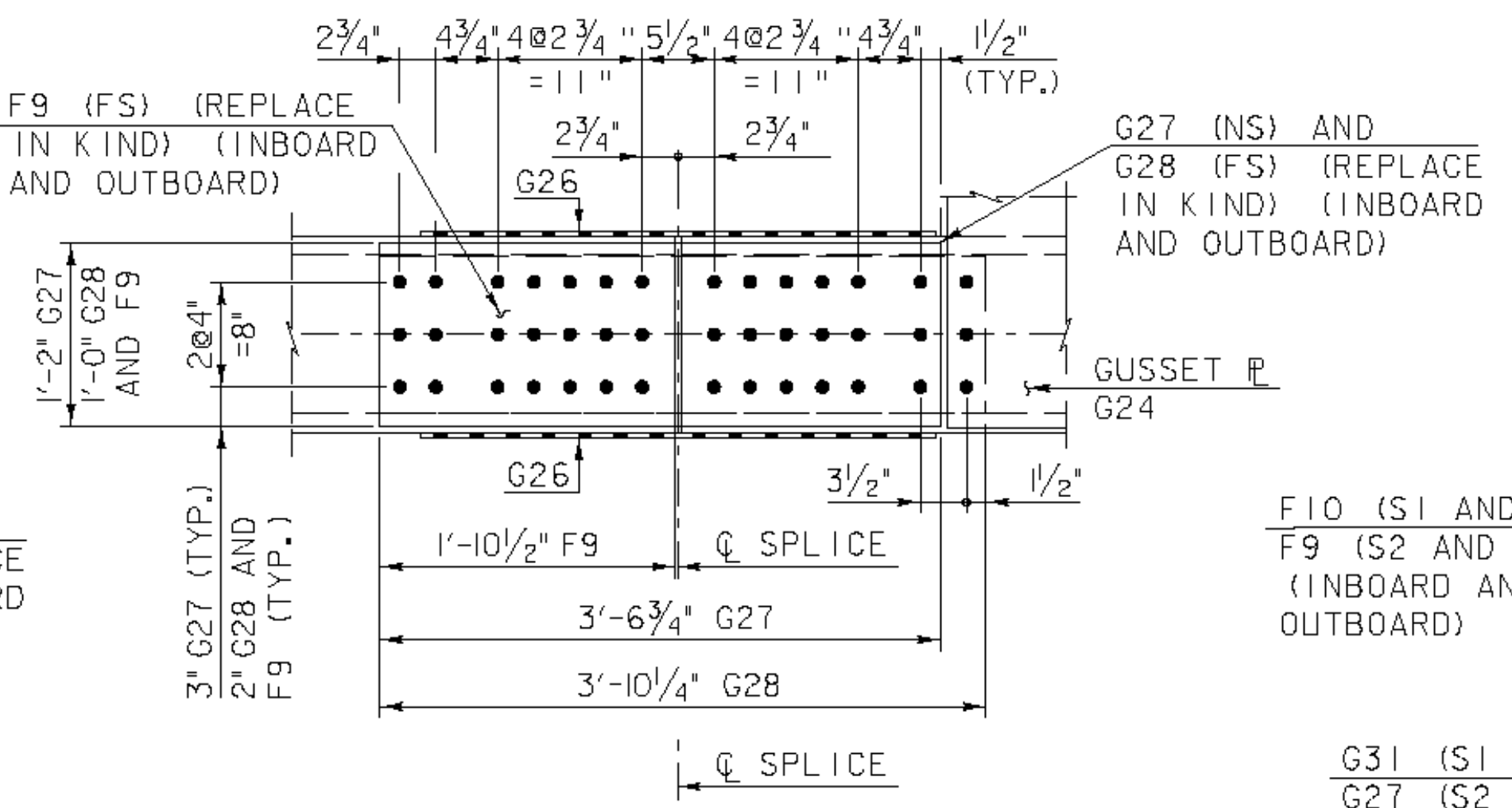
- SPLICE PLATE - MEMBER G30: REPLACE INBOARD AND OUTBOARD AT S1 AND S4, 4-P 3/8" X 12" X 2'-6"
- SPLICE PLATE - MEMBER G31: REPLACE INBOARD AND OUTBOARD AT S1 AND S4, 4-P 3/8" X 14" X 2'-6"
- FILL PLATE - MEMBER F10: REPLACE INBOARD AND OUTBOARD AT S1 AND S4, 4-P 3/8" X 12" X 1'-4 1/4"
- SPLICE PLATE - MEMBER G32: REPLACE TOP AND BOTTOM AT S1 AND S4, 4-P 3/8" X 12" X 2'-0 1/4"

- SPLICE PLATE - MEMBER G26: REPLACE TOP AND BOTTOM AT S2 AND S3, 4-P 3/8" X 12" X 3'-3 1/4"
- SPLICE PLATE - MEMBER G27: REPLACE INBOARD AND OUTBOARD AT S2 AND S3, 4-P 3/8" X 14" X 3'-6 3/4"
- FILL PLATE - MEMBER F9: REPLACE INBOARD AND OUTBOARD AT S2 AND S3, 4-P 3/8" X 12" X 1'-10 1/2"
- SPLICE PLATE - MEMBER G28: REPLACE INBOARD AND OUTBOARD AT S2 AND S3, 4-P 3/8" X 12" X 3'-10 1/4"

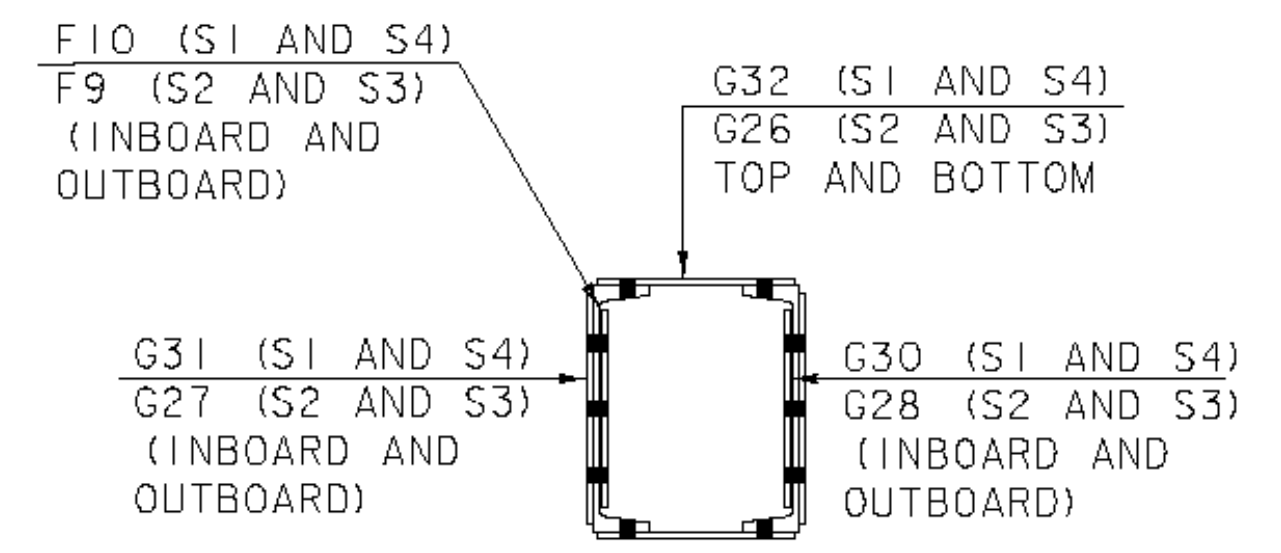
- BATTEN PLATE - MEMBER G39: REPLACE TOP AND BOTTOM AS REQUIRED, 7-P 3/8" X 12" X 1'-0"
- BATTEN PLATE - MEMBER G40: REPLACE TOP AND BOTTOM AS REQUIRED, 41-P 3/8" X 9" X 1'-0"
- BATTEN PLATE - MEMBER G41: REPLACE TOP AND BOTTOM AS REQUIRED, 17-P 3/8" X 12" X 1'-0"



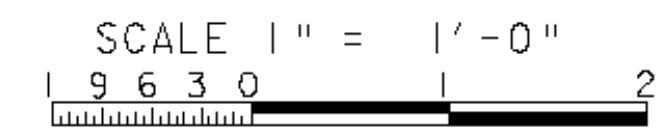
SECTION A-A
SCALE 1" = 1'-0"



SECTION B-B
SCALE 1" = 1'-0"



SECTION C-C
SCALE 1" = 1'-0"



STRUCTURAL STEEL DETAILS (3)

PROJECT NAME: MONTPELIER	PLOT DATE: 7/14/2010
PROJECT NUMBER: BHF 6400(31)	DRAWN BY: D. D'AMATO
FILE NAME: #FILES#	DESIGNED BY: P. PERKINS
BRIDGE DESIGN SUPERVISOR: P. HALSTED	CHECKED BY: P. PERKINS
	SHEET 31A OF 63



FILE NAME: #FILES#
DATE/TIME: 7/14/2010 10:25:22
USER: pperkins