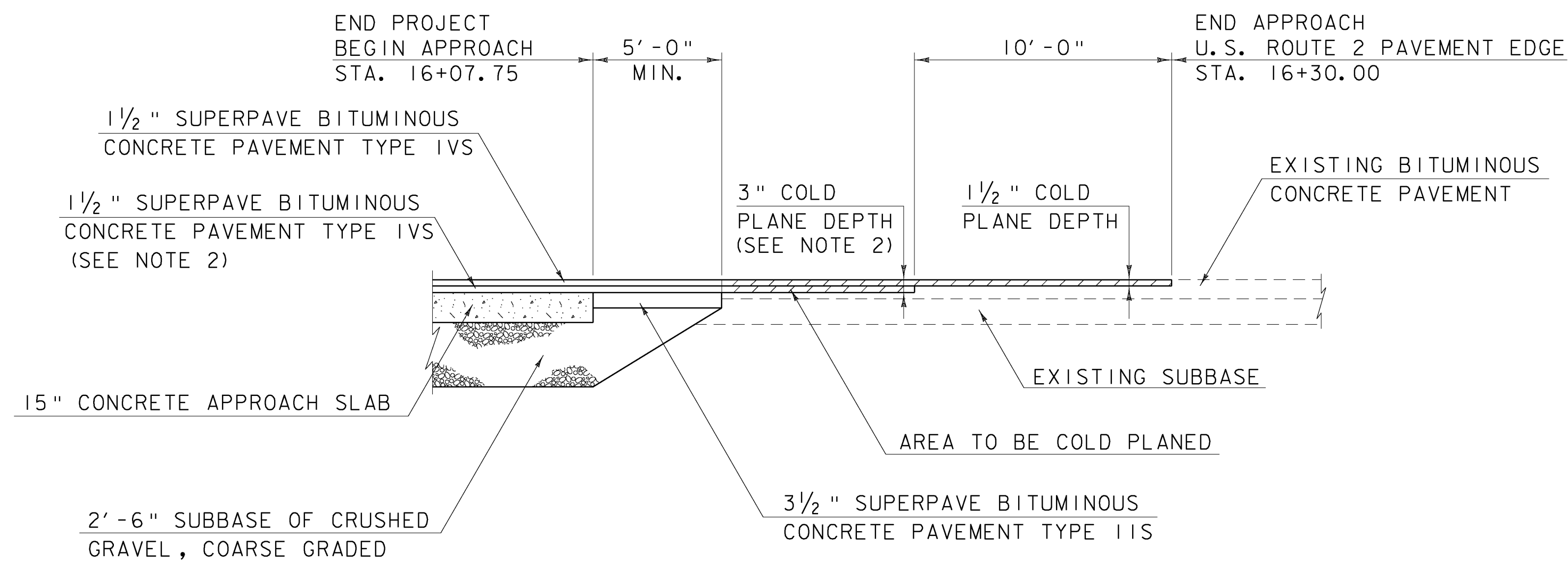
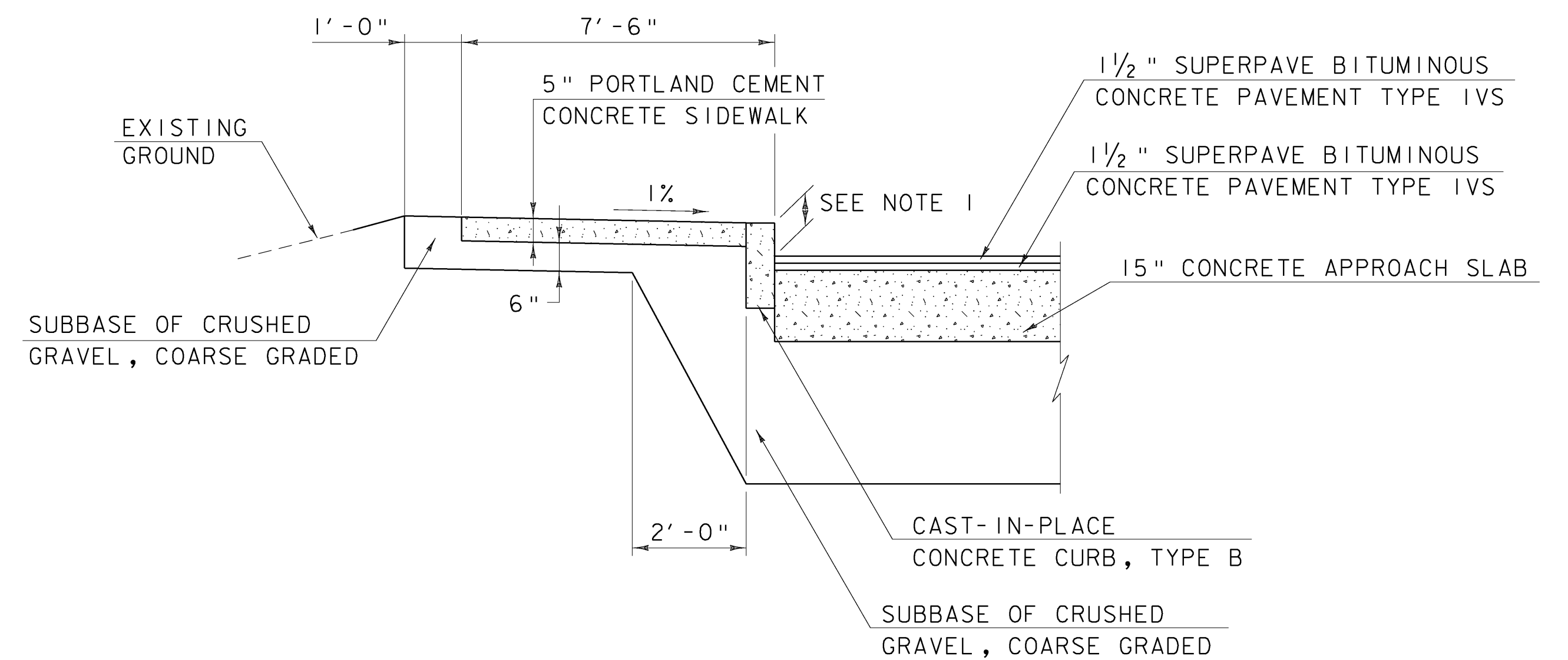


PAVEMENT TERMINATION DETAIL
BEGIN PROJECT



PAVEMENT TERMINATION DETAIL
END PROJECT



CONCRETE CURB & SIDEWALK DETAIL

NOTES:

1. NEW CONCRETE CURB SHALL BE CAST-IN-PLACE, TYPE B AND SHALL BE INSTALLED WHERE INDICATED ON THE PLANS. CURB HEIGHT SHALL BE TRANSITIONED AS DIRECTED BY THE RESIDENT ENGINEER TO MATCH PROPOSED BRIDGE CURB AND EXISTING CONCRETE CURB WHERE NECESSARY.
2. MODIFY LEVELING COURSE AND/OR COLD PLANE DEPTH AS DIRECTED BY THE RESIDENT ENGINEER TO TRANSITION CROSS SLOPE FROM EXISTING PAVEMENT CROSS SLOPE TO NORMAL CROWN AT BRIDGE. SEE ROADWAY CROSS SECTIONS FOR ADDITIONAL DETAILS.

FILE NAME: I:\14596\mtn\p\lona\14596.pavede.dgn
DATE/TIME: 10/12/2009
USER: 2552

NOT TO SCALE



ROADWAY PAVING DETAILS

PROJECT NAME: MONTPELIER
PROJECT NUMBER: BHF 6400(31)

FILE NAME: \$FILES\$
PROJECT MANAGER: SUSAN SCRIBNER
DESIGNED BY: D. D'AMATO
BRIDGE DESIGN SUPERVISOR: P. HALSTEAD

PLOT DATE: 10/12/2009
DRAWN BY: D. D'AMATO
CHECKED BY: P. PERKINS
SHEET 10 OF 63