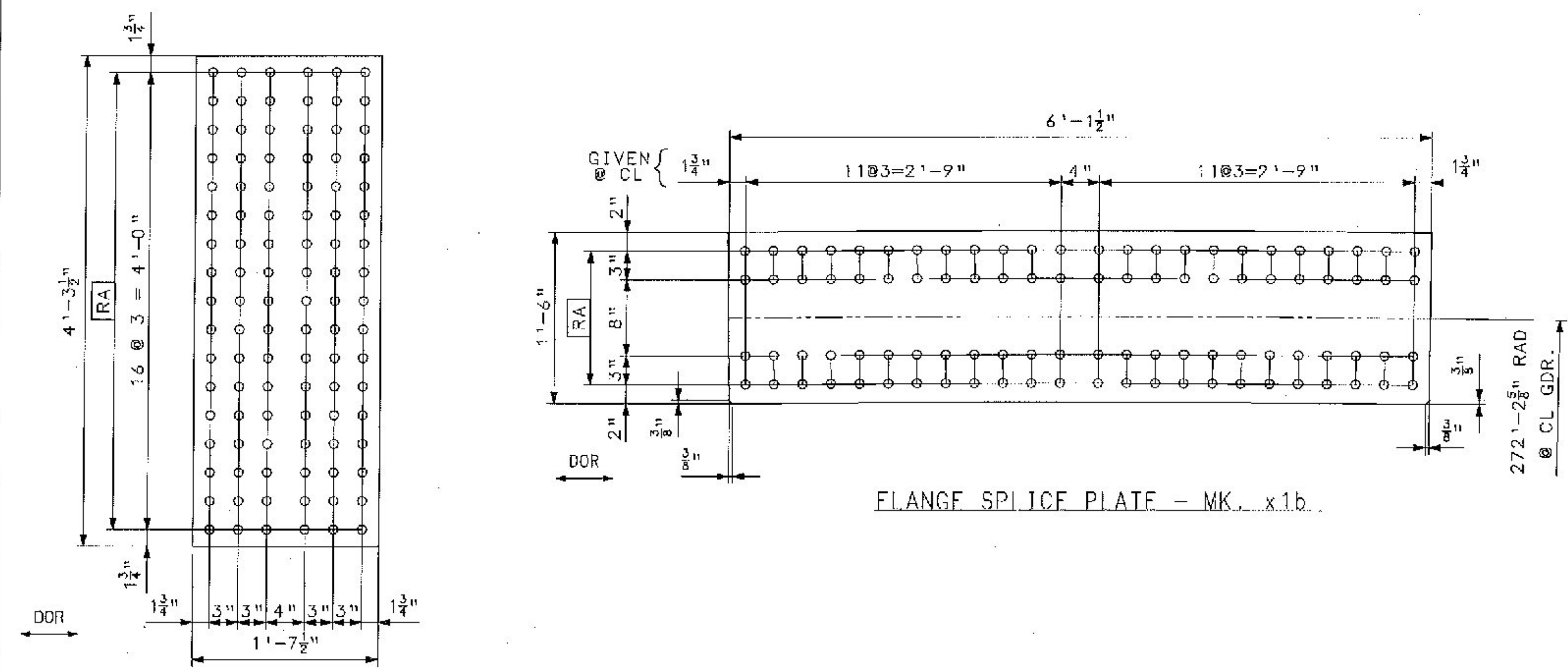


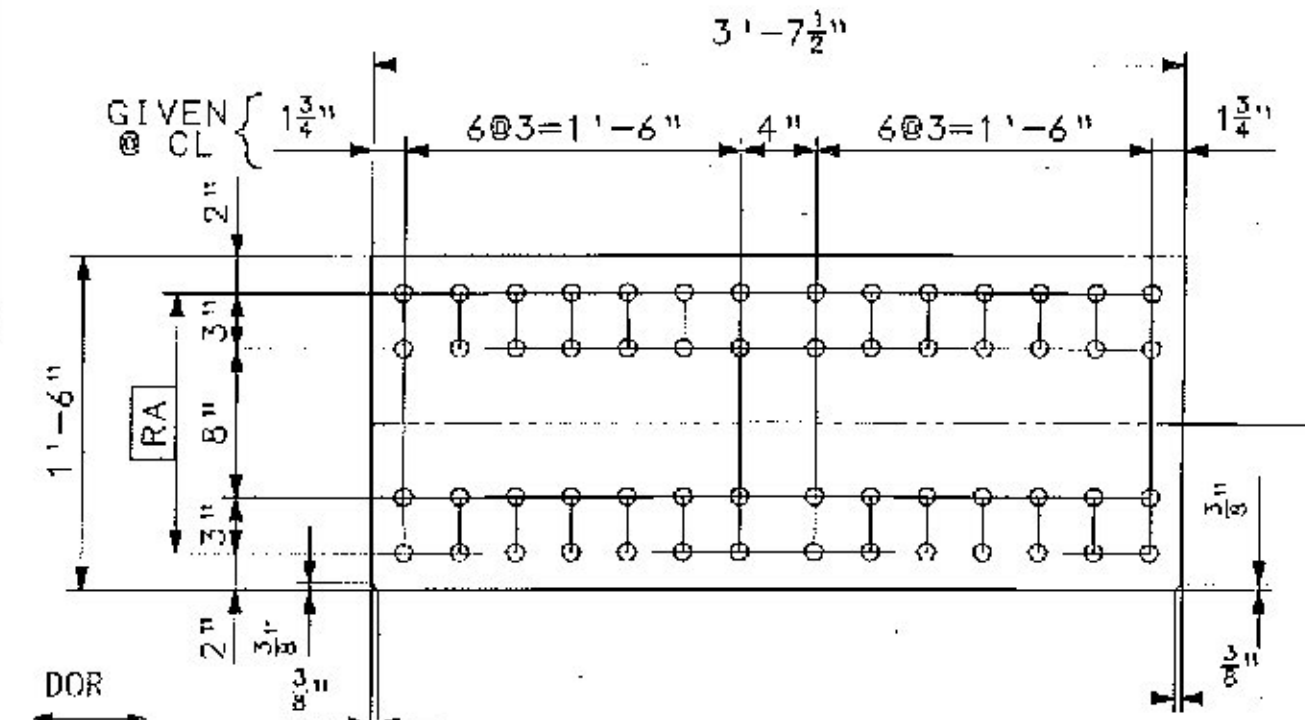
SHIPMENT 1 PAGING: 5025752L PRD: 5025752E S-IMPACTDOT: 5025752S

PLOTTED: MM/20/YY hh:mm:ss BY: XXXXXXXX

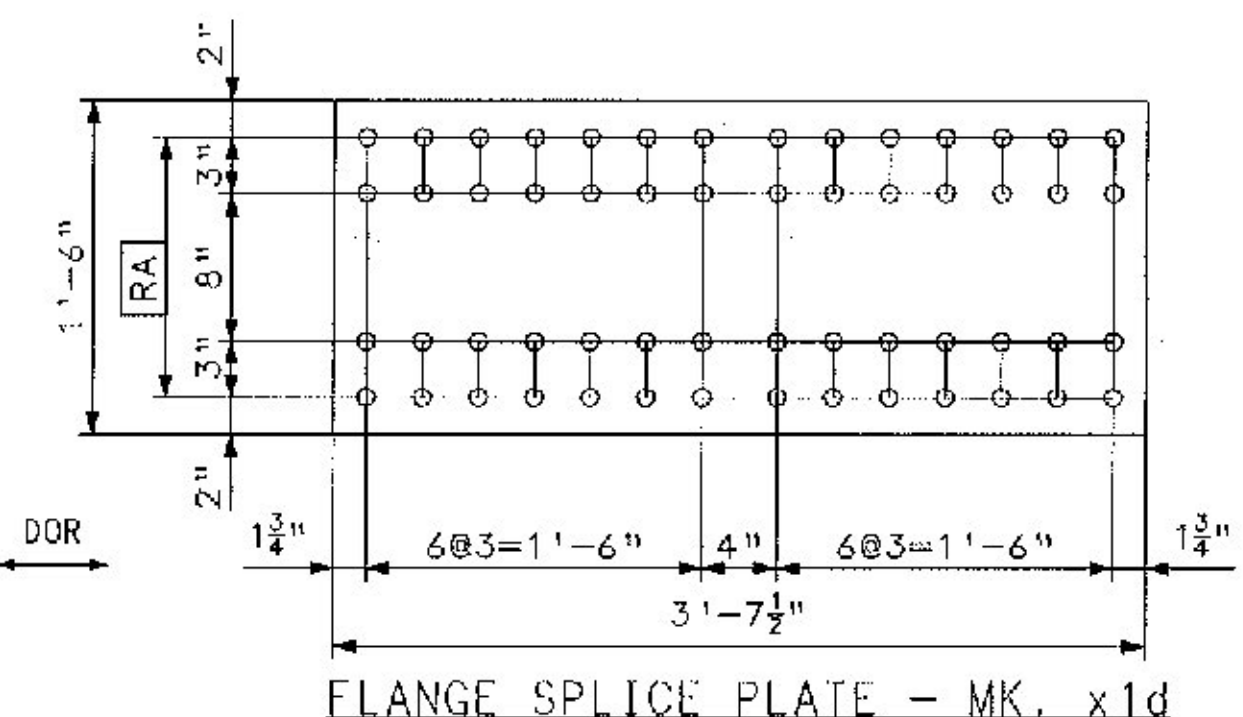


WFB SPLICE PLATE - MK. x1a

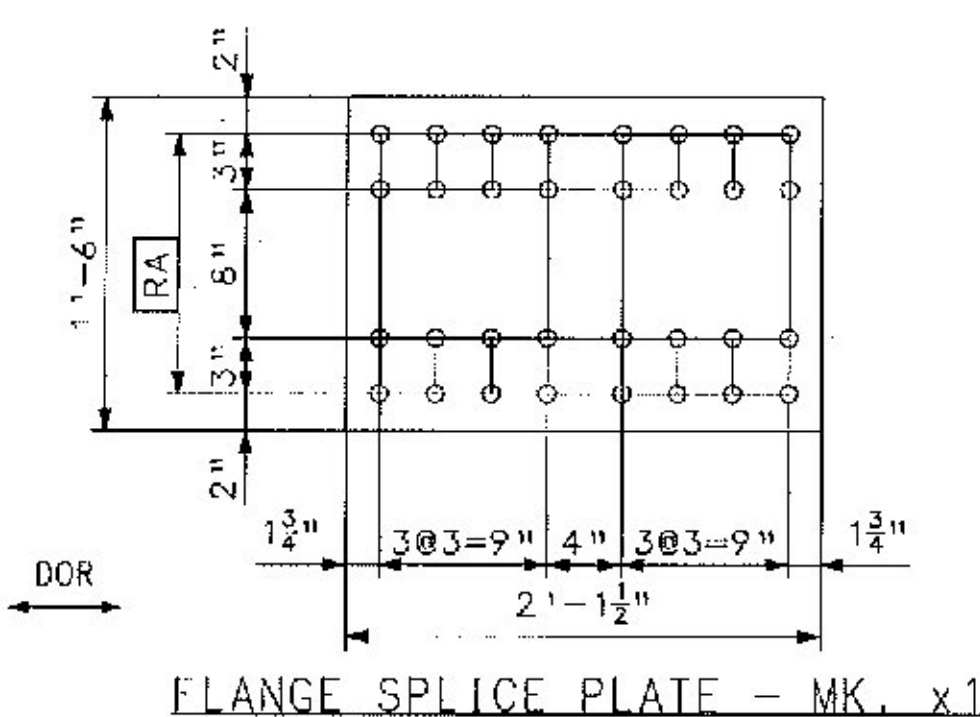
FLANGE SPLICE PLATE - MK. x1b



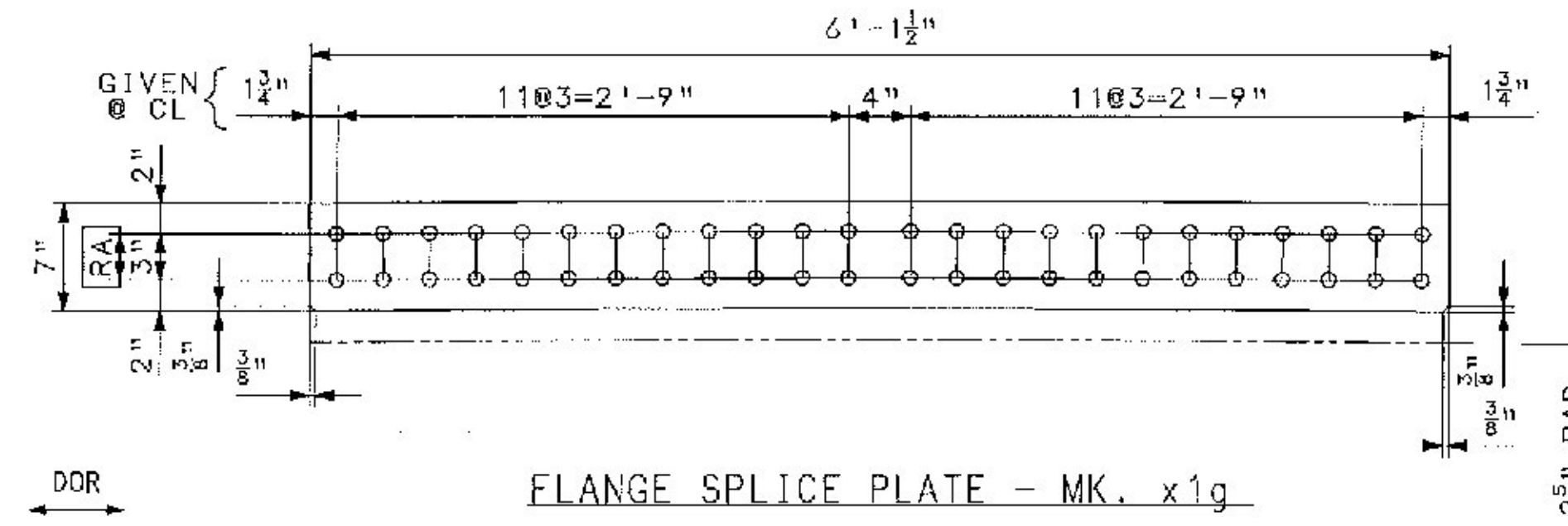
FLANGE SPLICE PLATE - MK. x1c



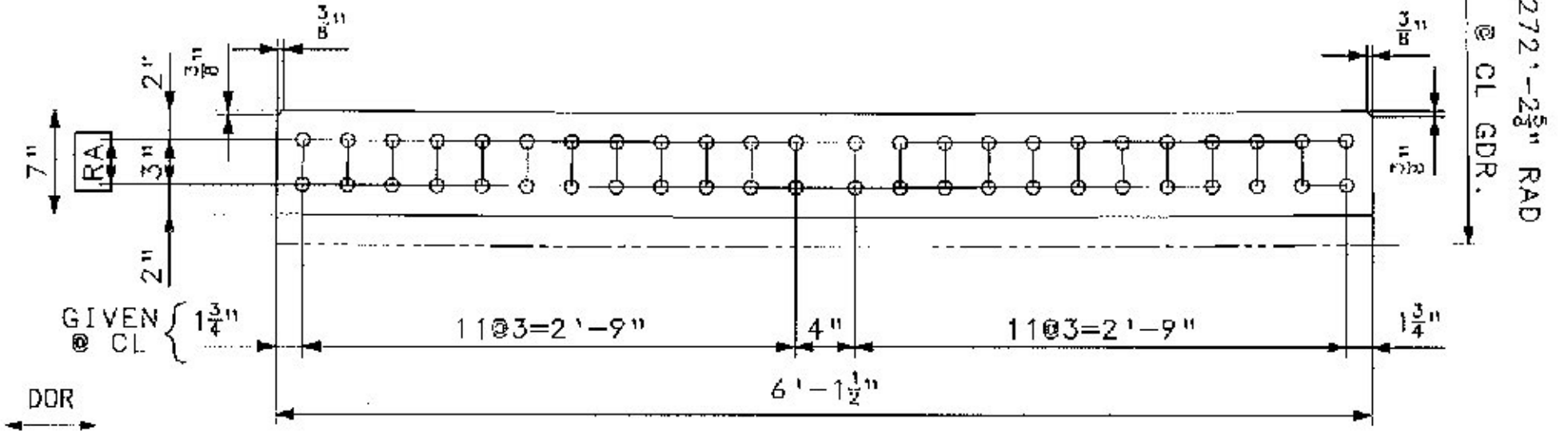
FLANGE SPLICE PLATE - MK. x1d



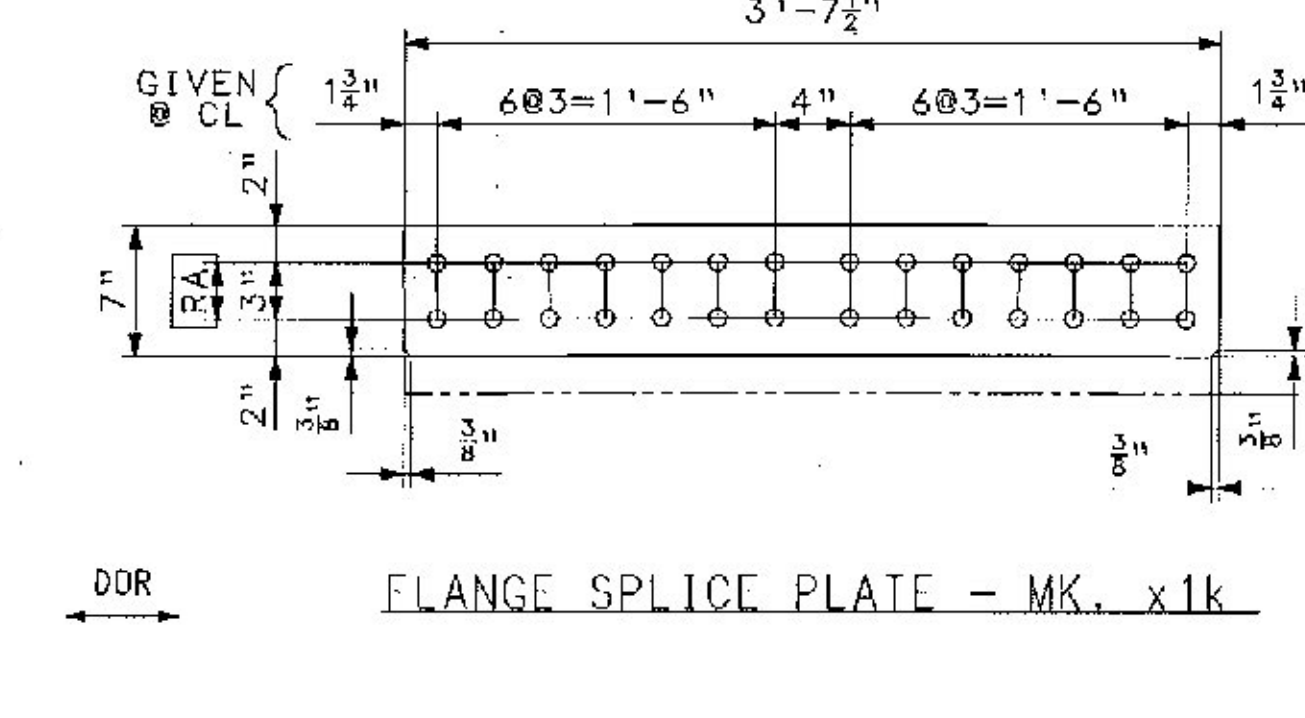
FLANGE SPLICE PLATE - MK. x1f



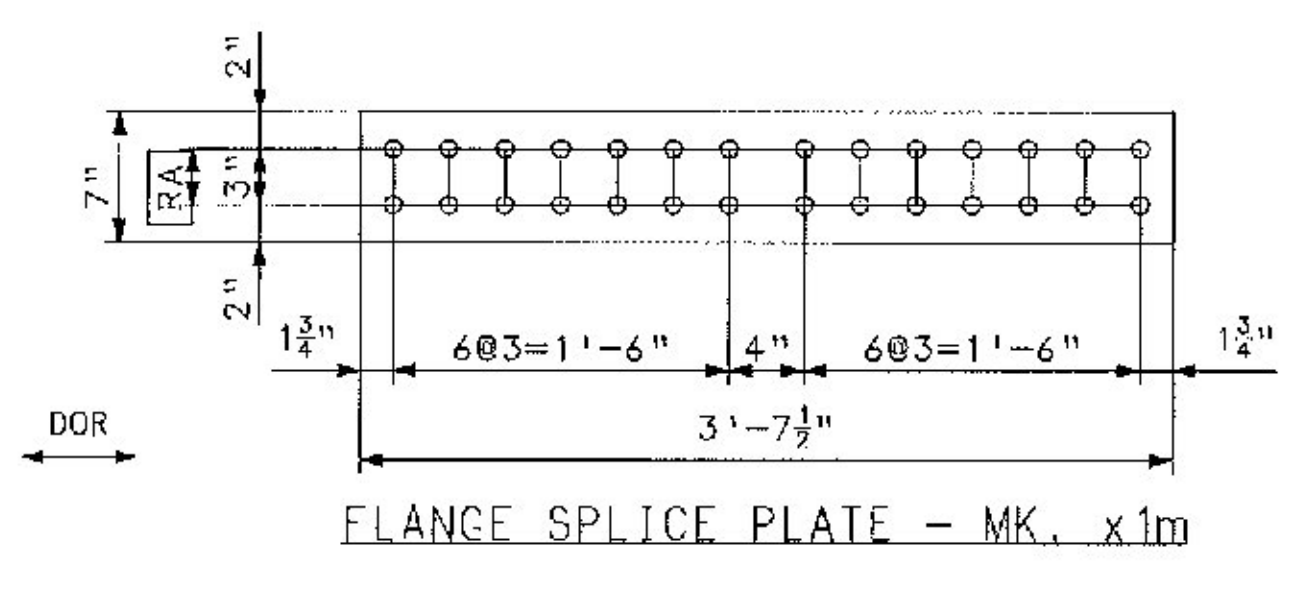
FLANGE SPLICE PLATE - MK. x1g



FLANGE SPLICE PLATE - MK. x1h



FLANGE SPLICE PLATE - MK. x1k



FLANGE SPLICE PLATE - MK. x1m

BILL OF MATERIAL

QTY	MARK	COMM.	DESCRIPTION	LENGTH	SPEC	GRADE	TEST	REMARKS	ITEM	WEIGHT (LBS)
10	x1a	PL	5/16 x 51 1/2	1 7 1/2	M270	50W	T		06001	89
2	x1b	PL	1 3/8 x 18	6 1 1/2	M270	50W	T	WIDTH & LENGTH AROUND CURVE	06002	516
1	x1c	PL	1/8 x 18	3 7 1/2	M270	50W	T	WIDTH & LENGTH AROUND CURVE	06003	194
1	x1d	PL	7/8 x 18	3 7 1/2	M270	50W	T		06004	194
6	x1f	PL	1/2 x 18	2 1 1/2	M270	50W	T		06005	65
2	x1g	PL	1 3/8 x 7	6 1 1/2	M270	50W	T	WIDTH & LENGTH AROUND CURVE	06006	201
2	x1h	PL	1 3/8 x 7	6 1 1/2	M270	50W	T	WIDTH & LENGTH AROUND CURVE	06006	201
1	x1k	PL	7/8 x 7	3 7 1/2	M270	50W	T	WIDTH & LENGTH AROUND CURVE	06007	76
2	x1m	PL	7/8 x 7	3 7 1/2	M270	50W	T		06008	76

FOR GENERAL SHOP NOTES, SEE DRAWING GN1. CORNER CLIPS ARE FOR ORIENTATION PURPOSES.

Vermont Agency of Transportation
RECEIVED
 CK'D BY J. CLARK OK'D BY J. GRIFFIN
 February 12, 2013
 RESUBMIT NO Approved
 BY J. LACROIX DATE 02/25/2013

NO.	REVISION	BY	CHK'D	DATE

HIGH STEEL STRUCTURES
 An ISO 9001:2000 Certified Company
 An Affiliate of High Industries Inc.

GIRDER JOB STANDARDS

ROUTE NO. TH7 (BRIDGE ST.) OVER STEVENS BRANCH
 ROUTE NO. TH7 STA. 13+05.00 TO STA. 14+25.00
 BRIDGE NO. 11, TOWN OF BARRE, COUNTY OF WASHINGTON
 STATE OF VERMONT
 AGENCY OF TRANSPORTATION

STATE CONT. OR REF. NO. FED. AID PROJ. NO.
 CONTRACTOR MILLER CONSTRUCTION, INC. HSS PROJ. MFR
 DRAWING MANAGER JOSH MURRY (JH) WDE BY CDS CK'D BY MGK DATE 12/14/12
 PROJECT NUMBER S-1120266A-1 DRAWING NUMBER X1 OF X5