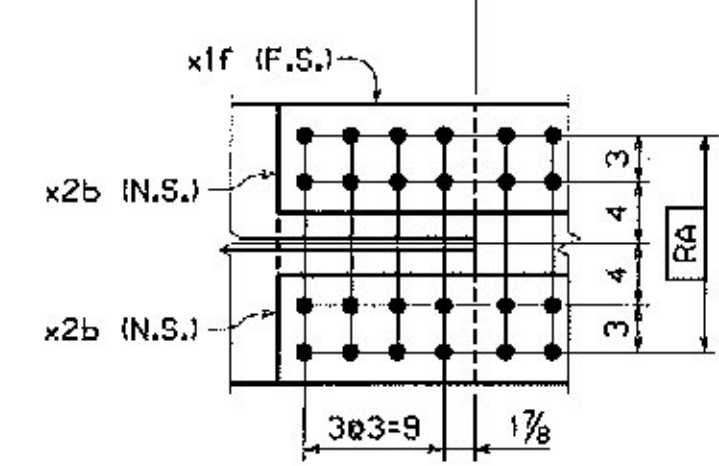
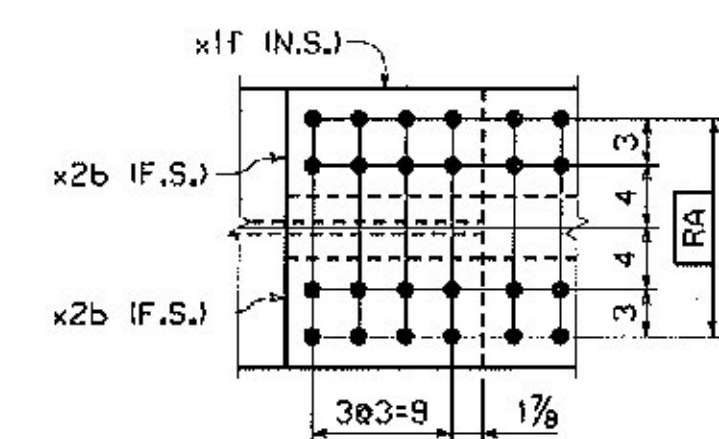
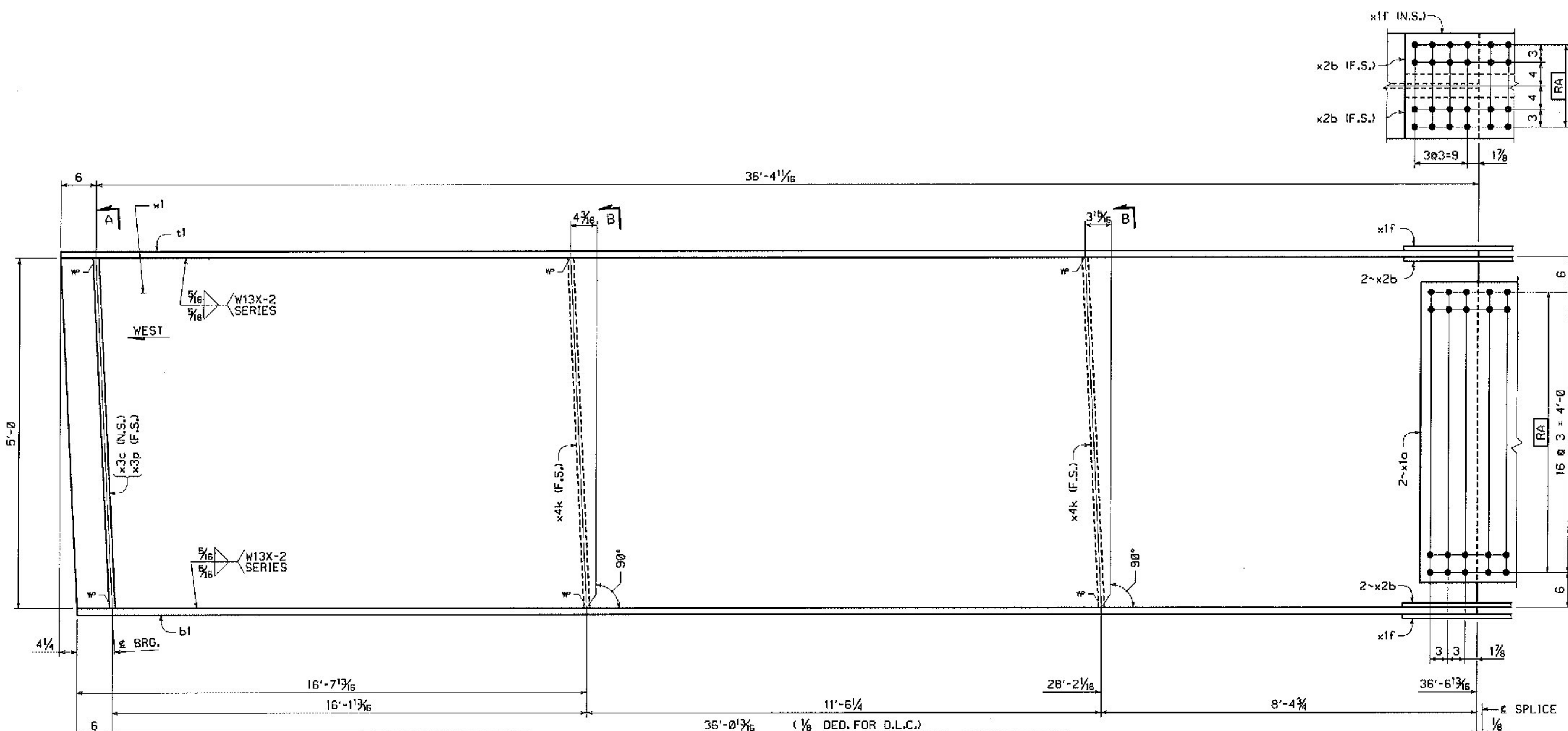
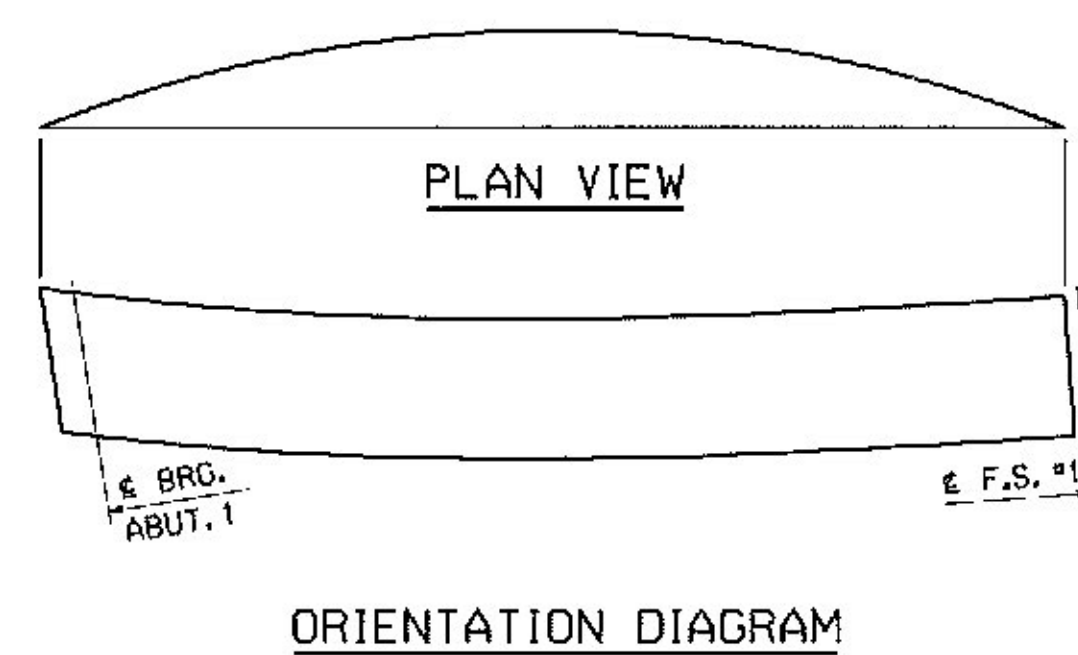
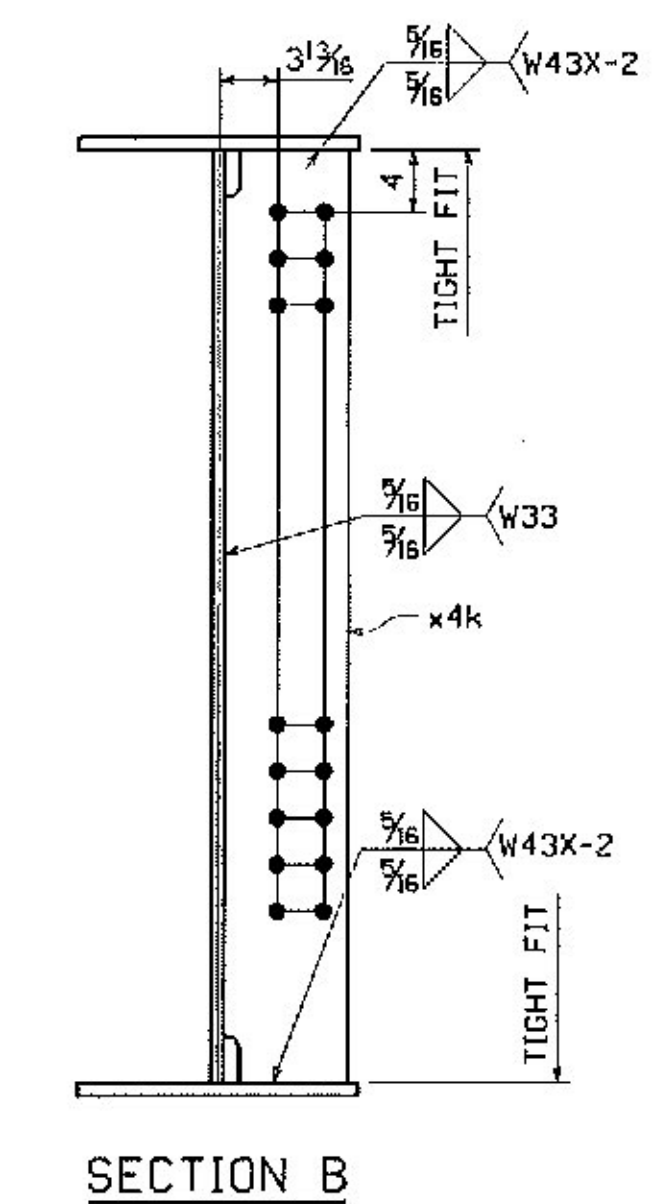
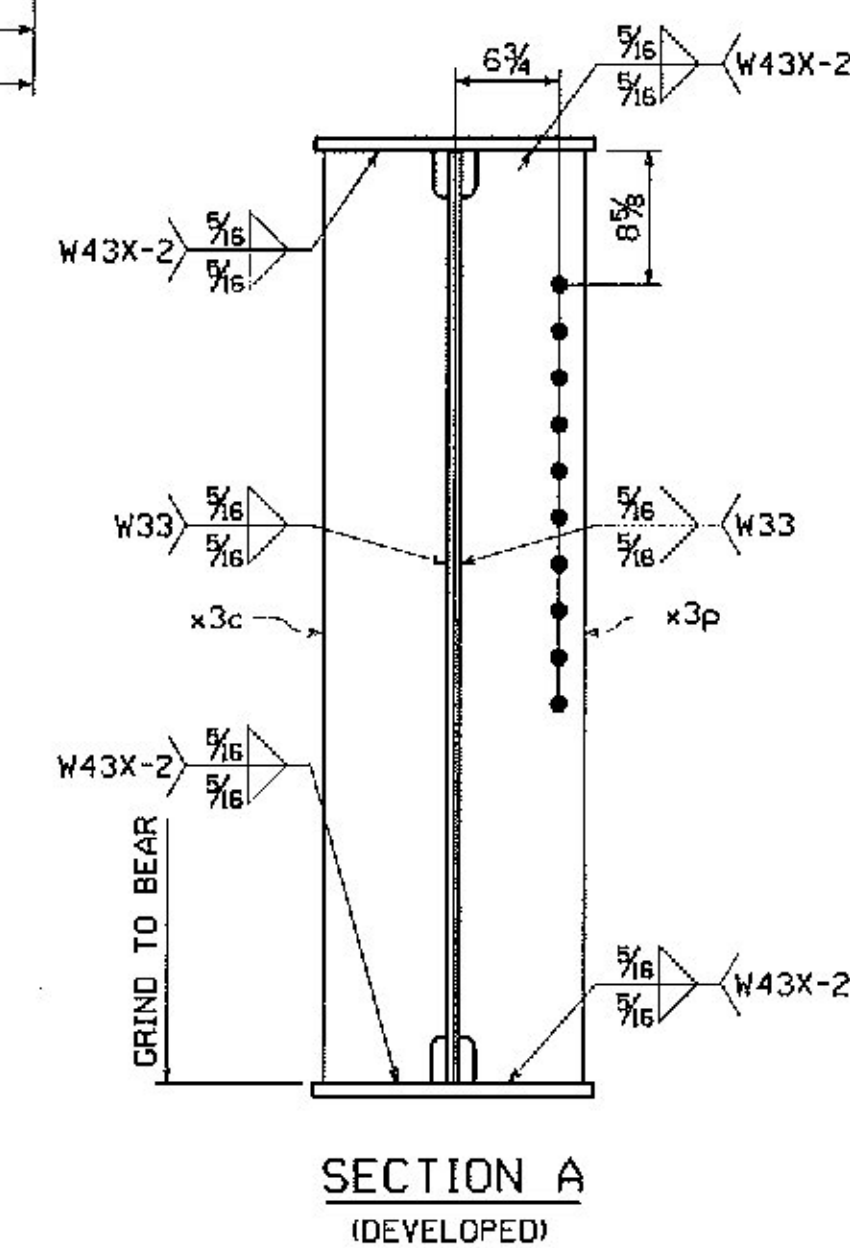
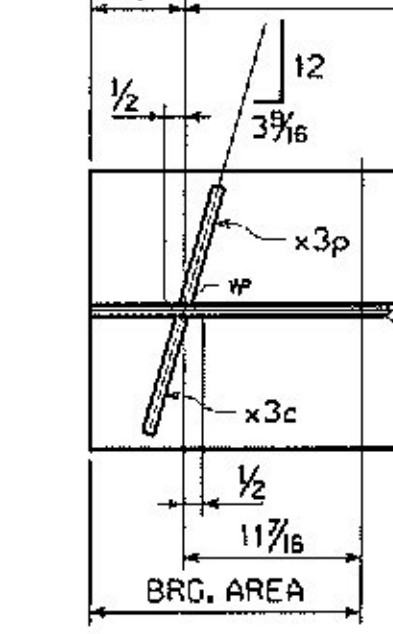


ENGLISH



GIRDER ~ MK. G5A
 FOR GENERAL SHOP NOTES, SEE DWG. GNT.
 FOR WEB CAMBER DIAGRAM, SEE DWG. WCI.
 FOR HORIZ. CURVE DIAGRAM, SEE DWG. HCI.



BILL OF MATERIAL											
QTY	MARK	COMM	DESCRIPTION	LENGTH	SPCS	GRADE	TEST	REMARKS	ITEM	SHP WT.	EA. (LBS)
1	G5A		GIRDER								9400
1	w1	PL	5/8 x 60	36	11	1/16	M270	50W	T		03003
1	l1	PL	7/8 x 18	36	10	11/16	M270	50W	T		04013
1	b1	PL	7/8 x 18	36	8	13/16	M270	50W	T		04013
2	x1a	PL	5/16 x 51 1/2	1	7	1/2	M270	50W	T		06001
2	x1f	PL	1/2 x 18	2	1	1/2	M270	50W	T		06005
4	x2b	PL	1/2 x 7	2	1	1/2	M270	50W	T		08009
1	x3c	PL	3/4 x 8	5	0	3/8	M270	50W	T		07001
1	x3p	PL	3/4 x 8	5	0	3/8	M270	50W	T		07001
2	x4k	PL	1/2 x 8	5	0	1/8	M270	50W	T		07002

Vermont Agency of Transportation
RECEIVED
 CK'D BY J. CLARK OK'D BY J. GRIFFIN
 February 12, 2013
 RESUBMIT NO Approved
 BY J. LACROIX DATE 02/25/2013

NO.	REVISION	BY	CHK'D	DATE

HIGH STEEL STRUCTURES
 An ISO 9001:2000 Certified Company
 An Affiliate of High Industries Inc.

COATING	ROUTE NO. 117 (BRIDGE ST.) OVER STEVENS BRANCH		
NONE	ROUTE NO. 117 STA. 13+05.00 TO STA. 14+25.00		
CODE(S)	BRIDGE NO. 11, TOWN OF BARRE, COUNTY OF WASHINGTON		
30	STATE OF VERMONT		
	AGENCY OF TRANSPORTATION		
SCALE	STATE CONT. OR REF. NO.	FED. AID PROJ. NO.	
N.T.S.			
	GENERAL CONTRACTOR	PROJ. MGR.	
	MILLER CONSTRUCTION, INC.	HSS PROJ. MGR.	KEN GLIDDEN
DRAWING MANAGER	JOSH MURRY (IH)	MADE BY	CDS
HSS PROJECT NUMBER	S-1120266A-1	CHK'D BY	MCK
		DATE	12/28/12
VT		DRAWING NUMBER	5 OF 14

SHIPMENT 31
 P-011228/14/2013
 10/25/09 AH
 BY: JSC/leh
 PENNING: 2/25/2013 1401 5828252 SHIPPERECT, 5025253