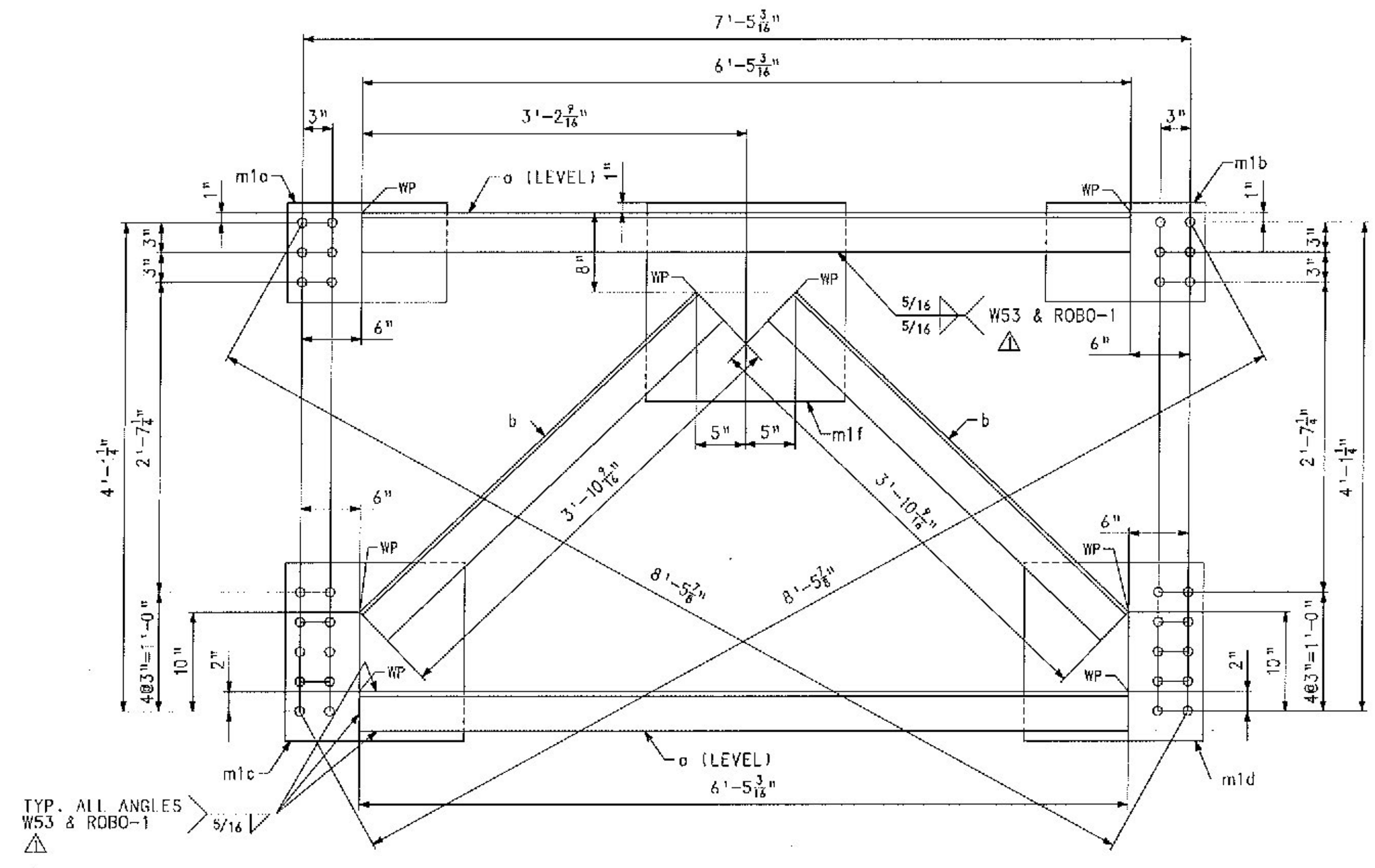
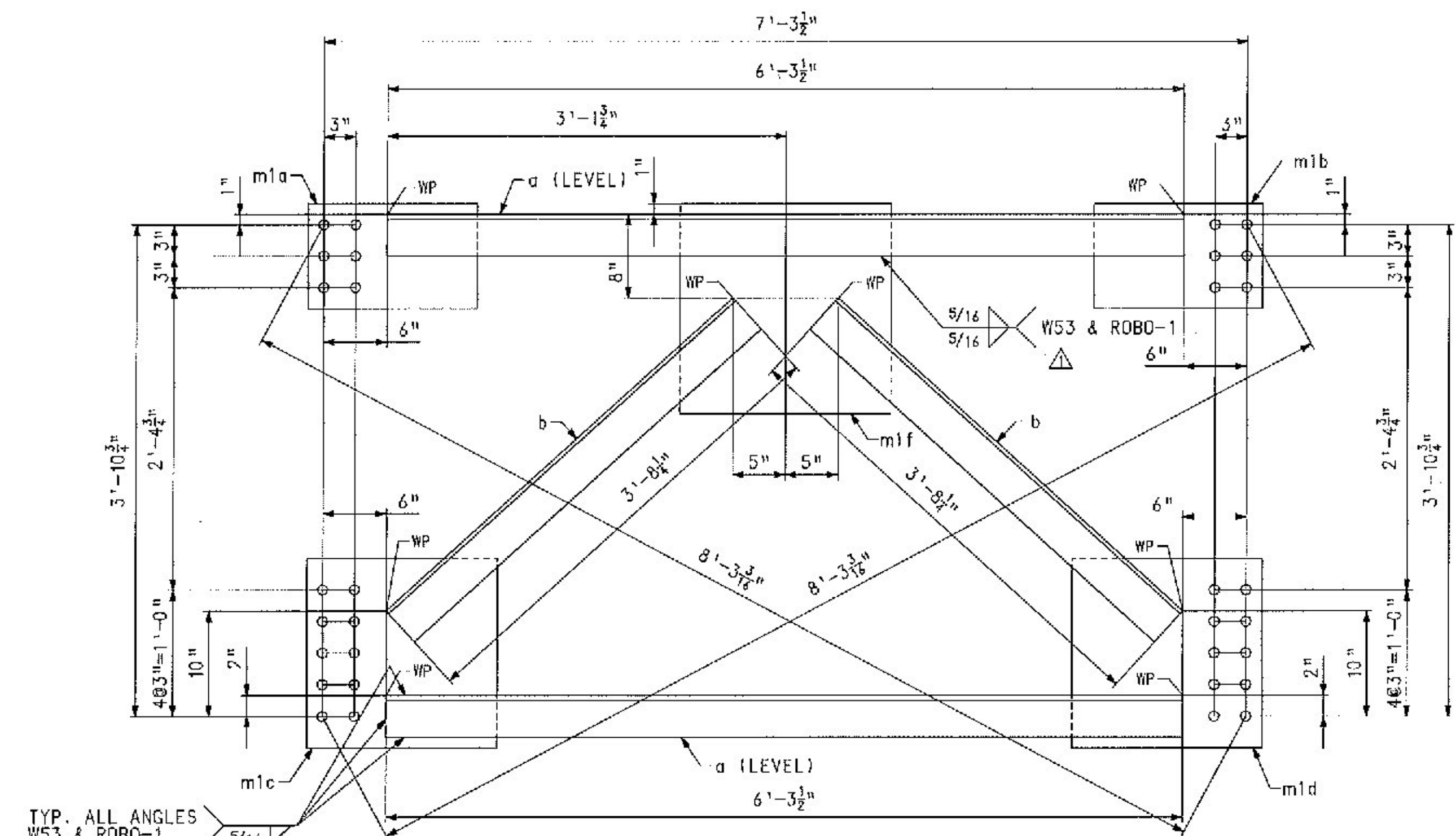


SHIPMENT 1 PAVENGS: 50256Z1 -RD: 50256Z2 SHIPARECT: 50256Z3

BY: XXXXXXXX
PLOTTED: MW/DD/YY HX:mm:ss



CROSSFRAME MK. CF1



CROSSFRAME MK. CF2

BILL OF MATERIAL

QTY	MARK	COMM.	DESCRIPTION	LENGTH	SPEC	GRADE	TEST	REMARKS	ITFM	WEIGHT FA, (LBS)
CROSSFRAME										
1	CF1									456
2	c	L	4 x 4 x 1/2	6	5	3/16	M270	50W	T	11001
2	b	L	4 x 4 x 1/2	3	10	7/16	V270	50W	T	11001
1	m1a	PL	1/2 x 10	1	4		V270	50W	T	11002
1	m1b	PL	1/2 x 10	1	4		M270	50W	T	11002
1	m1c	PL	1/2 x 18	1	6		M270	50W	T	11002
1	m1d	PL	1/2 x 18	1	6		M270	50W	T	11002
1	m1e	PL	1/2 x 20	1	8		M270	50W	T	11002
CROSSFRAME										
1	CF2									447
2	a	L	4 x 4 x 1/2	6	3	1/2	M270	50W	T	11001
2	b	L	4 x 4 x 1/2	3	8	1/4	M270	50W	T	11001
1	m1a	PL	1/2 x 10	1	4		M270	50W	T	11002
1	m1b	PL	1/2 x 10	1	4		V270	50W	T	11002
1	m1c	PL	1/2 x 18	1	6		V270	50W	T	11002
1	m1d	PL	1/2 x 18	1	6		M270	50W	T	11002
1	m1e	PL	1/2 x 20	1	8		M270	50W	T	11002

Vermont Agency of Transportation

RECEIVED

CK'D BY J. CLARK OK'D BY J. GRIFFIN

February 12, 2013

RESUBMIT NO Approved
BY J. LACROIX DATE 02/25/2013

NO.	REVISION	BY	CHK'D	DATE
	DETAIL ERROR: REV. WELD DESIGNATION	SSL	MGK	2-5-13
CROSSFRAMES CF1 & CF2				
ROUTE NO. 117 (BRIDGE ST.) OVER STEVENS BRANCH				
ROUTE NO. 117 STA. 13+05.00 TO STA. 14+25.00				
BRIDGE NO. 11, TOWN OF BARRE, COUNTY OF WASHINGTON				
STATE OF VERMONT				
AGENCY OF TRANSPORTATION				
SCALE	STATE CONT. OR REF. NO.	FED. AID PROJ. NO.		
N.T.S.				
GENERAL CONTRACTOR		MILLER CONSTRUCTION, INC.		
DRAWING MANAGER		JOSH MURRY (1H)	WAVE BY	CDS
PROJECT NUMBER		S-1120266A-1		DRAWING NUMBER
		CHK'D BY	MGK	DATE
				12/27/12
				12 OF 14

FOR GENERAL SHOP NOTES, SEE DRAWING G01.

VT