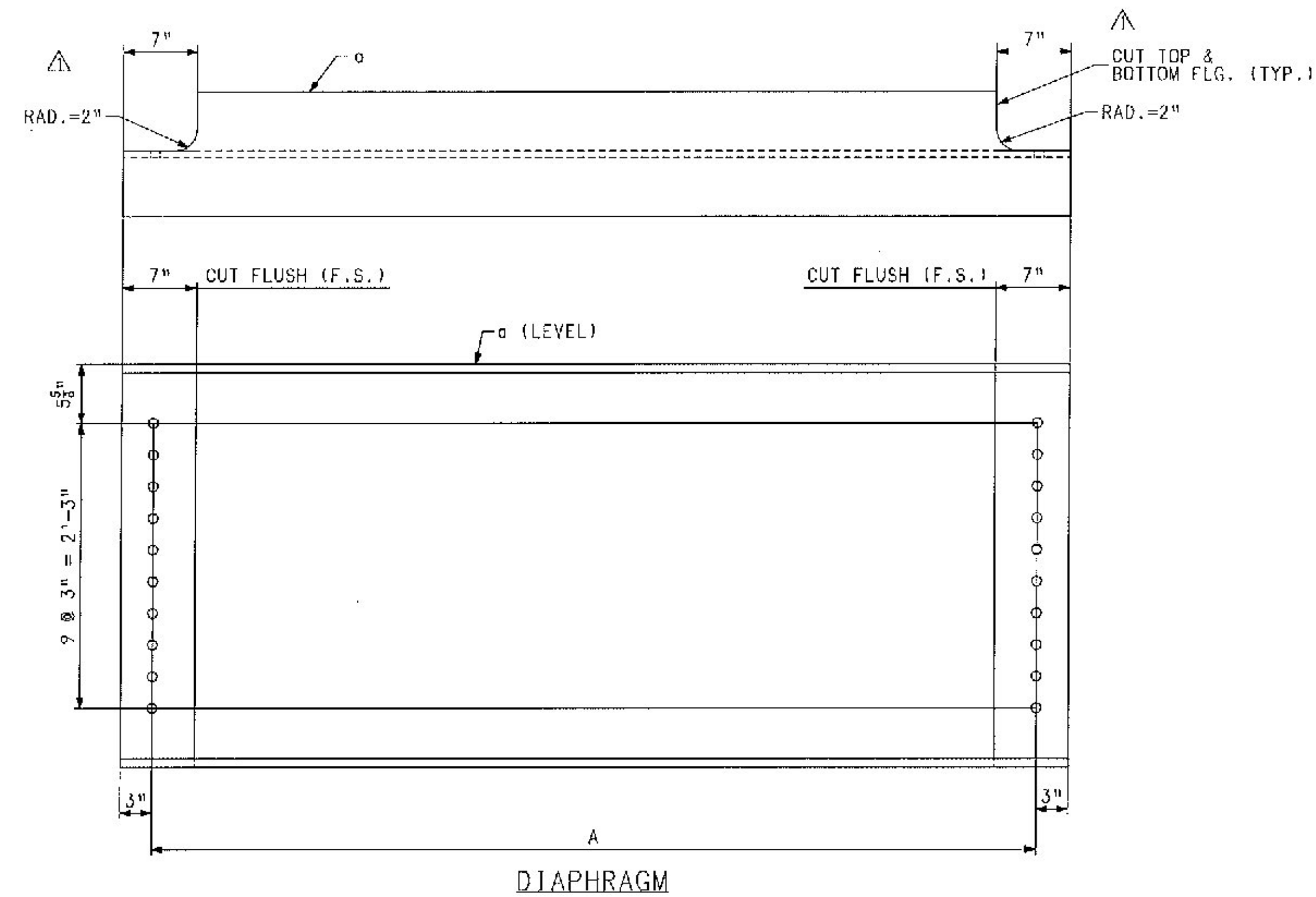


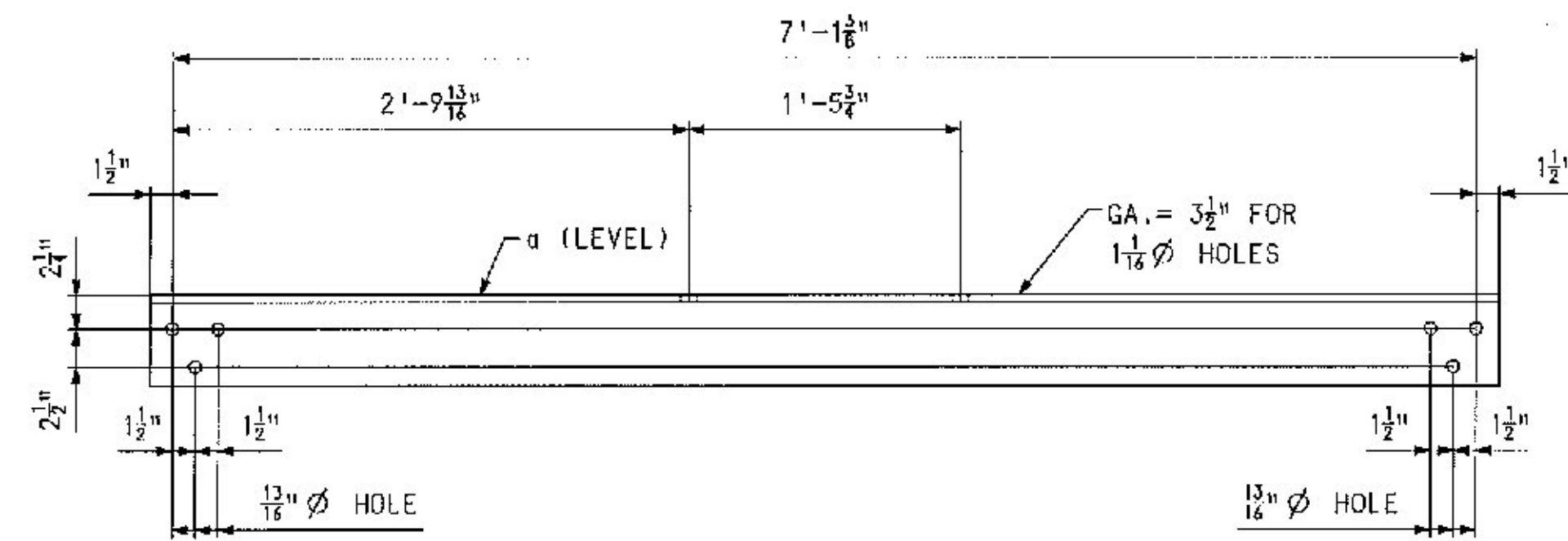
SHIPMENT 1 PMSNO: 50256Z1 PRD: 50256Z2 SHIPPERECT: 50256Z3

BY: XXXXXXXX

PLOTTED: MW/DD/YY



MARK	A
D1	6'-11 7/16
D2	6'-10 15/16
D3	6'-10 3/4
D4	6'-9 5/8
D5	6'-9 3/8
D6	6'-9 1/4



DIAPHRAGM - MK. D7  
(8ID ITEM 900.645)

BILL OF MATERIAL

QTY	MARK	COMV.	DESCRIPTION	LENGTH	SPEC	GRADE	TEST	REMARKS	ITEM	WEIGHT FA. (LBS)
1	D1		DIAPHRAGM							1111
1	a	W	40 x 149	7 5 7/16	M270	50W	T		10001	
1	D2		DIAPHRAGM							1104
1	a	W	40 x 149	7 4 15/16	M270	50W	T		10001	
1	D3		DIAPHRAGM							1102
1	a	W	40 x 149	7 4 3/4	M270	50W	T		10001	
1	D4		DIAPHRAGM							1098
1	a	W	40 x 149	7 3 5/8	M270	50W	T		10001	
1	D5		DIAPHRAGM							1085
1	a	W	40 x 149	7 3 3/8	M270	50W	T		10001	
1	D6		DIAPHRAGM							1083
1	a	W	40 x 149	7 3 1/4	M270	50W	T		10001	
60	D7		DIAPHRAGM							144
1	a	L	6 x 6 x 1/2	7 4 5/8	M270	50W	T		10002	

Vermont Agency of Transportation

RECEIVED

CK'D BY J. CLARK OK'D BY J. GRIFFIN

February 12, 2013

RESUBMIT NO Approved

BY J. LACROIX DATE 02/25/2013

NO.	REVISION	BY	CHK'D	DATE
	DETAIL ERROR: REVISED CUT FLUSH DIM. CONT. REQUEST: ADDED CUT FLUSH VIEW	SSL	MGK	2-5-13
HOLES	1 3/8" Ø (U.N.F.)			
BO.TS	NONE			
COATING	NONE			
DURABLE	56			
SCALE	1/2" = 1'			
STATE CONT. OR REF. NO.		FED. AID PROJ. NO.		
GENERAL CONTRACTOR	WILLER CONSTRUCTION, INC.	HSSI PROJ. MGR		
DRAWING MANAGER	JOSH MURRY (JH)	MADE BY	CDS	CHK'D BY
HSSI PROJECT NUMBER	S-1120266A-1	DATE	12/27/12	MGK
				11 OF 14

FOR GENERAL SHOP NOTES, SEE DRAWING G01.

VT