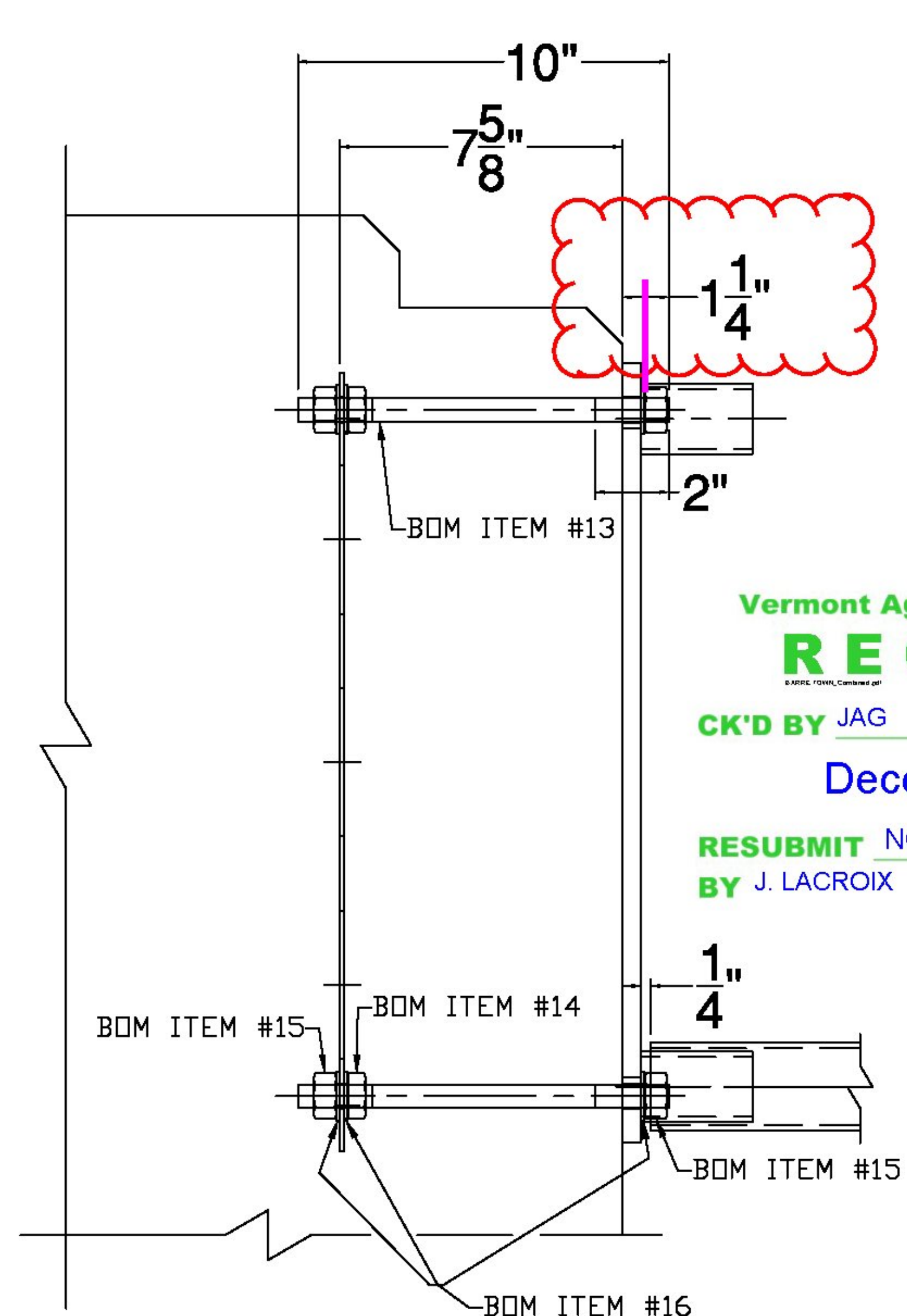
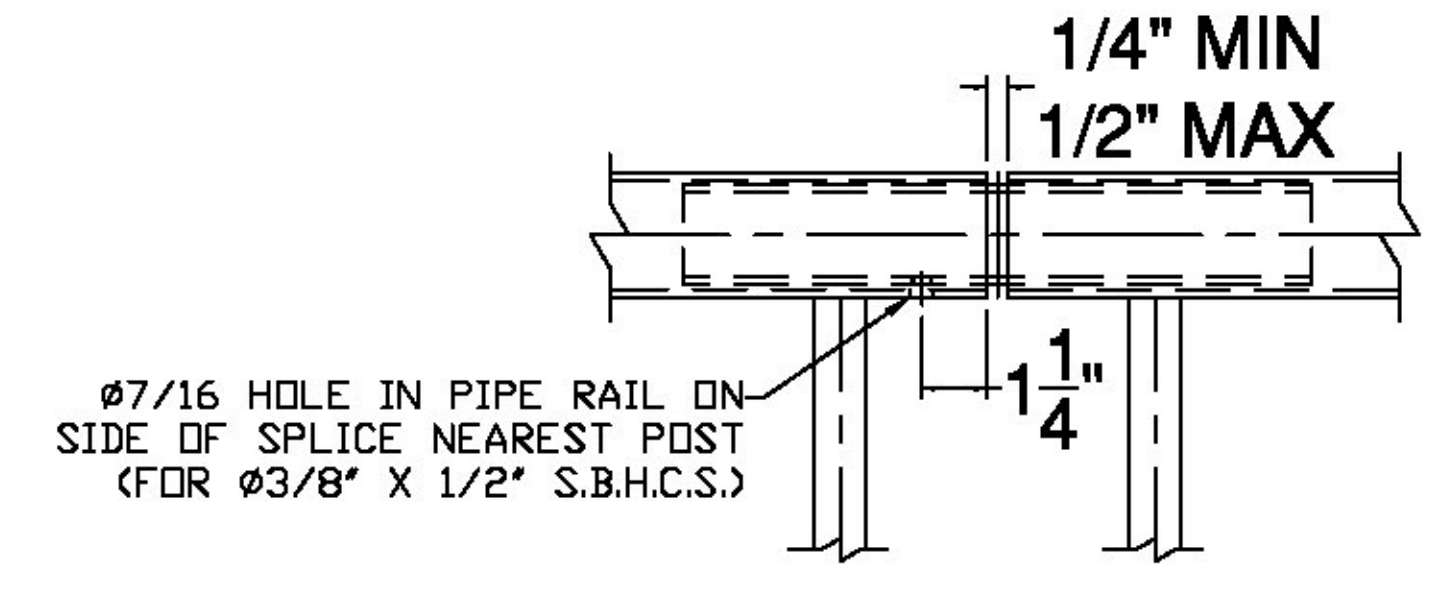


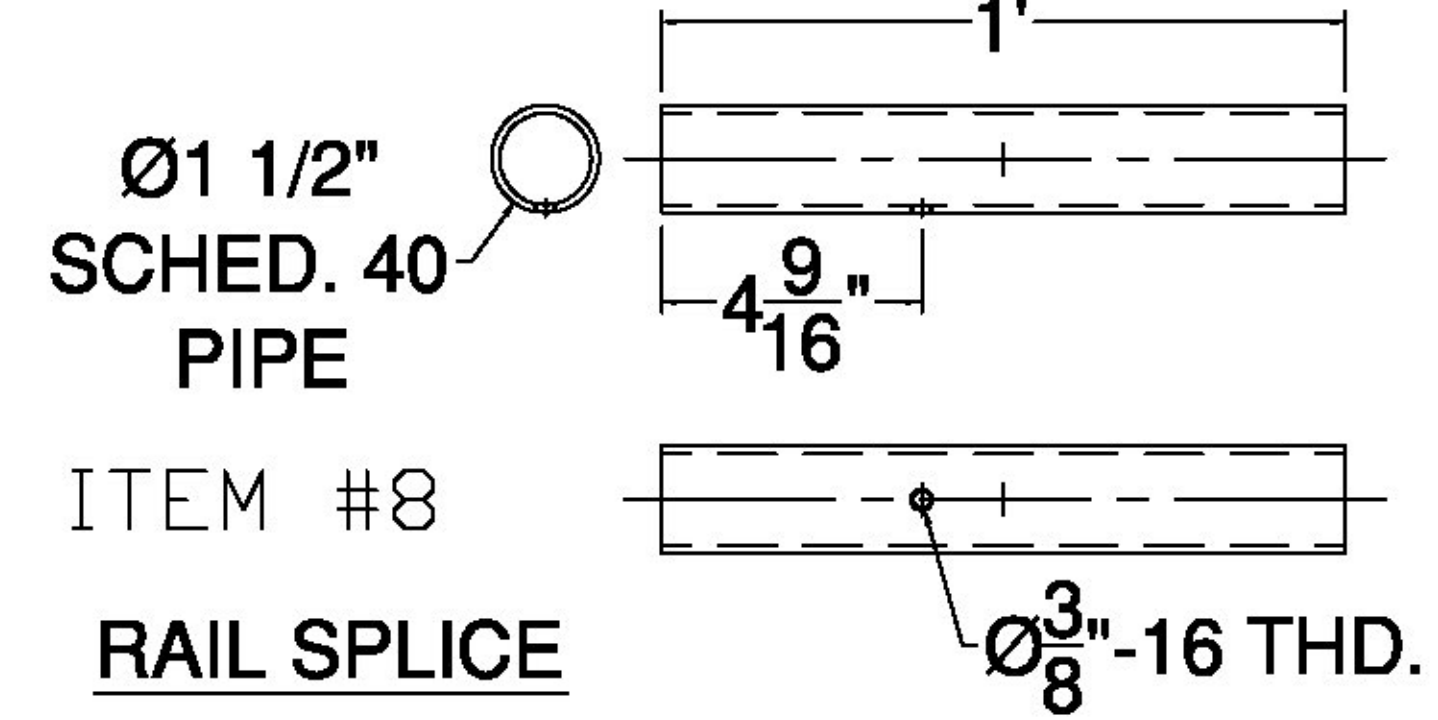
SIDE BASE PLATE



SIDE PLATE CONNECTION DETAIL

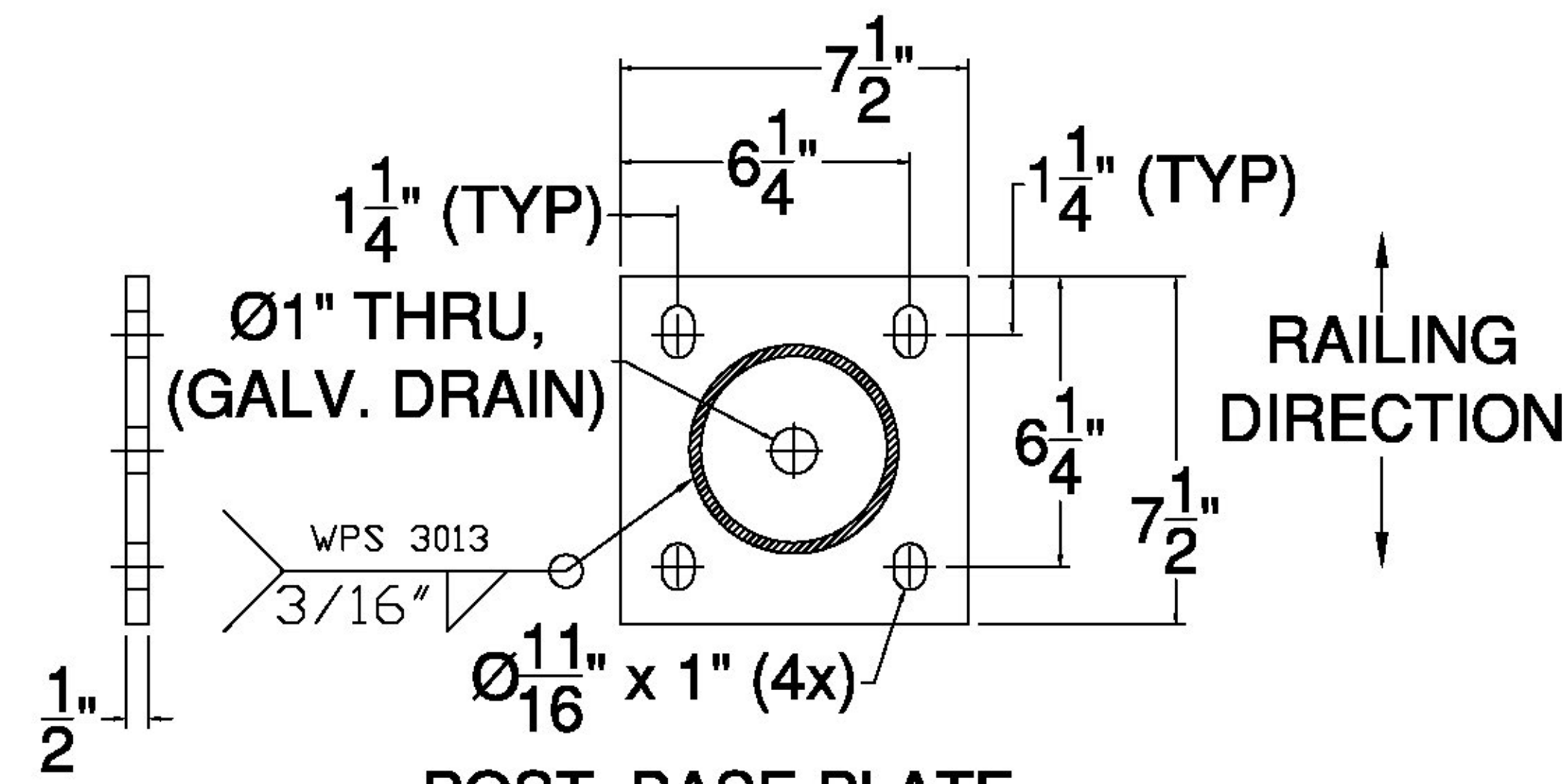


RAIL SPLICE DETAIL

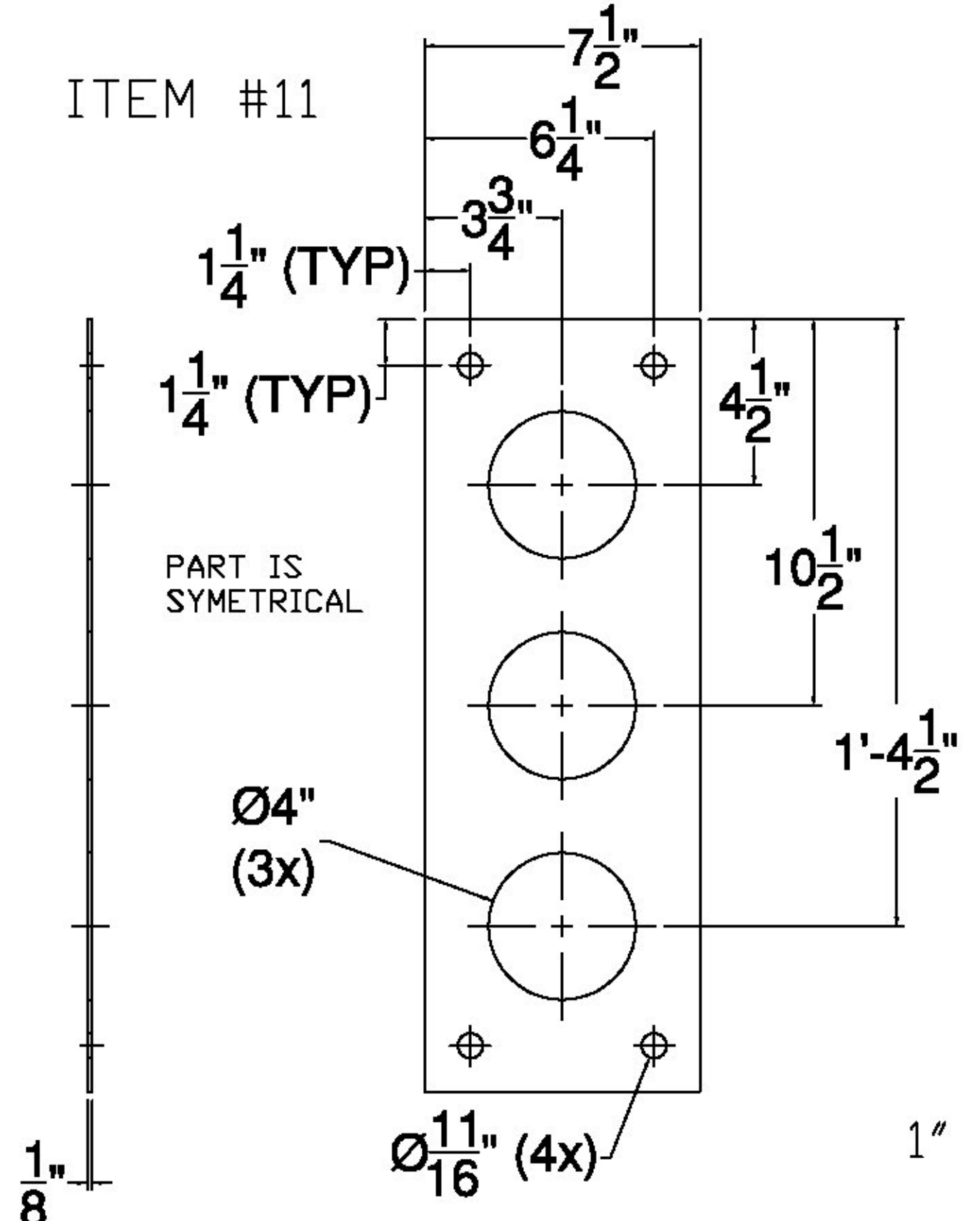


RAIL SPLICE

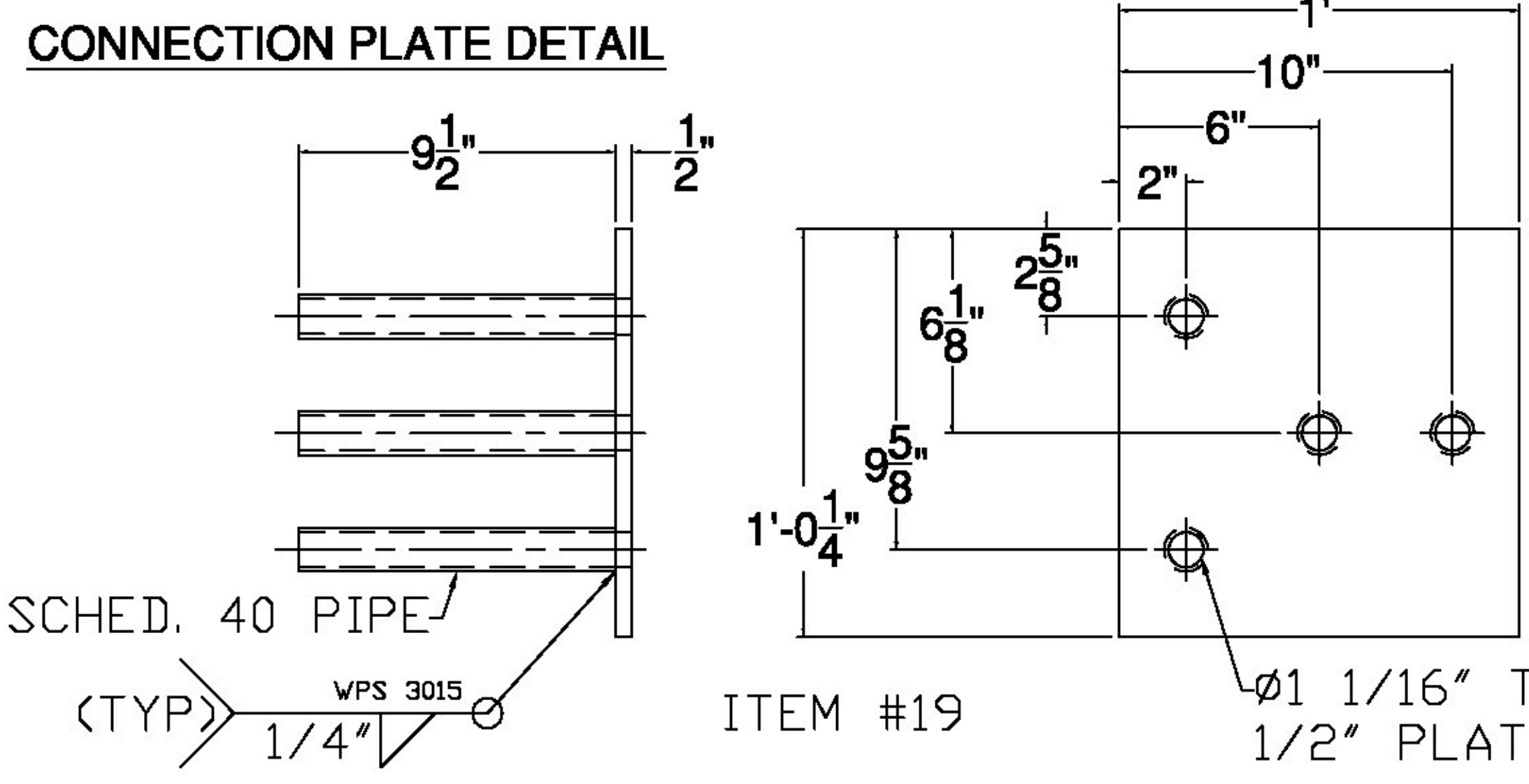
Vermont Agency of Transportation
RECEIVED
 CK'D BY JAG OK'D BY JEL
 December 12, 2012
 RESUBMIT NO Approved
 BY J. LACROIX DATE 02/01/13



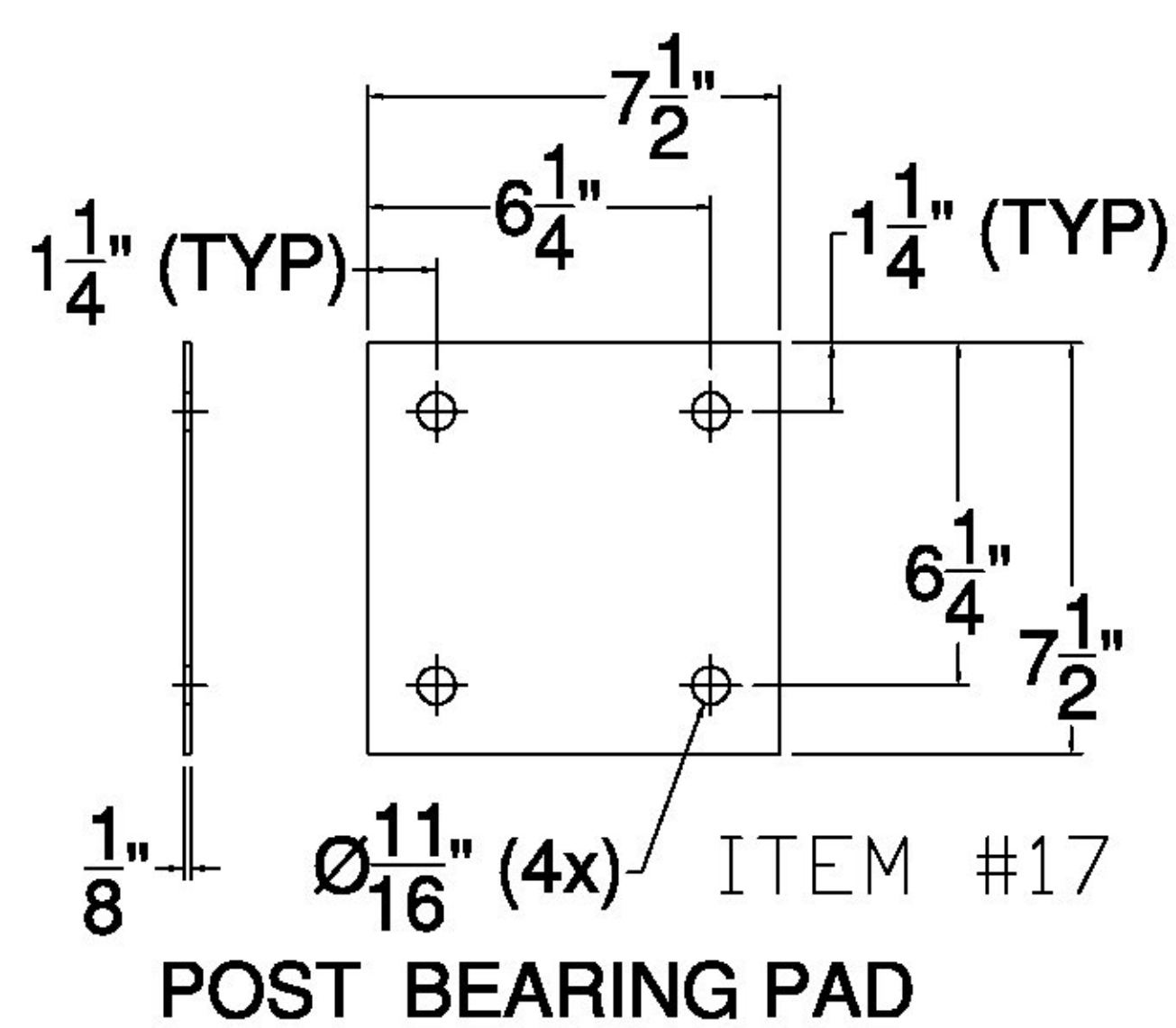
POST BASE PLATE



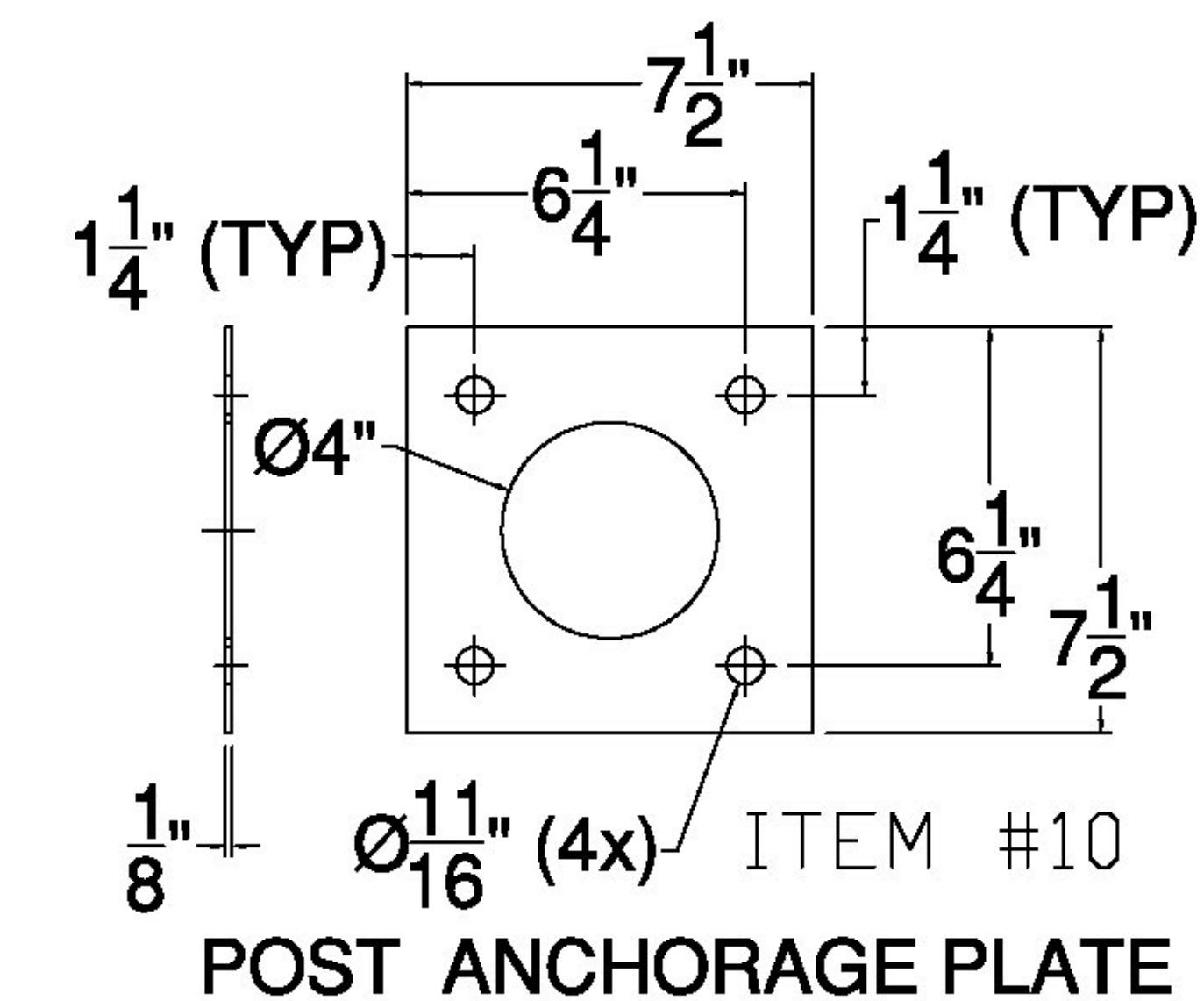
SIDE ANCHORAGE PLATE



ITEM #19



POST BEARING PAD



POST ANCHORAGE PLATE

ITEM #: 900.640 GEN CONTR: F.R. LAFAYETTE SHEET 6 OF 6

APPROVED BY: _____

BRIDGE RAIL DETAILS SHEET
 BARRE TOWN BR# 6100 (7)
 TOWN OF BARRE, WASHINGTON COUNTY, VT.

R	NO.	DATE	DESCRIPTION	BY	R	NO.	DATE	DESCRIPTION	BY
E					E				
V					V				

ELDERLEE, INC.
 OAKS CORNERS, NEW YORK 14578
 E-Mail: dlong@elderlee.com
 Tel: 315-789-6670 Fax: 315-789-6615

SCALE SCHEMATIC
 DRAWING NO. F.R. LAFAYETTE-BARRE