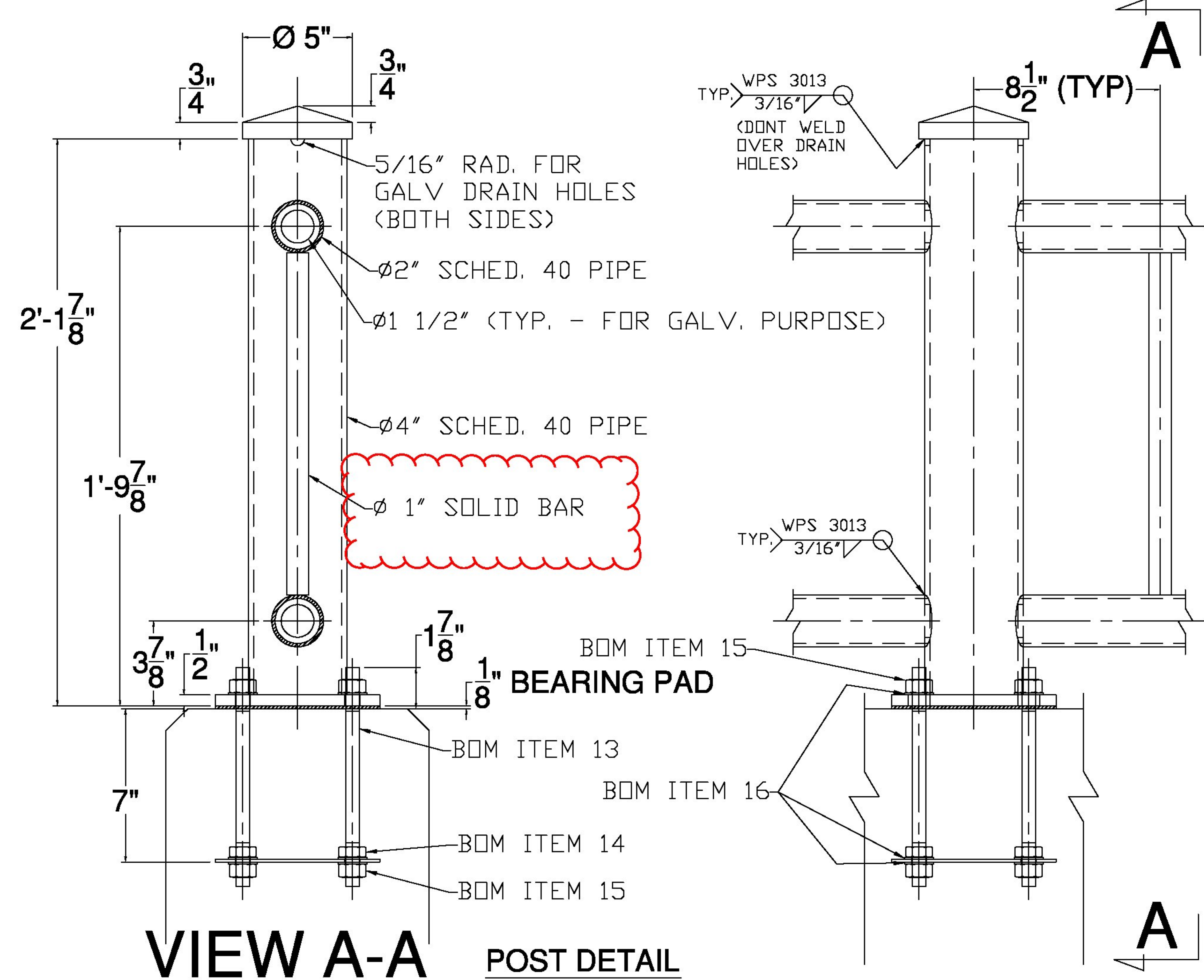


NORTH WEST CORNER

PLAN VIEW OF A SECTION OF THE NORTH RAIL



VIEW A-A POST DETAIL

BILL OF MATERIAL			
ITEM	QTY	DESCRIPTION	ASTM DESIGNATION
1	2	RAIL SECTION "A"	A500/A53 Grade B/A36
2	4	RAIL SECTION "B"	A500/A53 Grade B/A36
3	4	RAIL SECTION "C"	A500/A53 Grade B/A36
4	2	RAIL SECTION "D"	A500/A53 Grade B/A36
5	1	RAIL SECTION "E"	A500/A53 Grade B/A36
6	2	RAIL SECTION "F"	A500/A53 Grade B/A36
7	1	RAIL SECTION "G"	A500/A53 Grade B/A36
8	16	RAIL SPLICE (1 1/2" SCHEDULE 40)	A500/A53 Grade B
9	16	Ø3/8" X 1/2" SOCKET, BUTTON HEAD CAP SCREW	A307 (ZINC PLATED - IMPORTS)
10	16	POST ANCHOR PLATES, 1/8" X 7 1/2" X 7 1/2"	A36
11	16	SIDE ANCHOR PLATES, 1/8" X 7 1/2" X 1'-9"	A36
12	16	SIDE BASE PLATES, 1/2" X 7 1/2" X 1'-9"	A36
13	128	Ø 5/8" X 10" ANCHOR STUDS W/ 2" THREAD EACH END	A449
14	128	Ø 5/8" HEX JAM NUTS	A563
15	256	Ø 5/8" HEAVY HEX NUTS	A563
16	384	Ø 5/8" FLAT WASHERS	F436
17	16	1/8" X 7 1/2" X 7 1/2" POST BEARING PAD	AASHTO M251
18	4	"W" PANEL TERMINAL CONNECTOR, 12 Ga.	AASHTO M180
19	4	CONNECTION PLATE W/ 1" SCHED. 40 PIPE	A500/A53 Grade B/A36
20	32	Ø 5/8" PANEL BOLTS, NUTS	A307
21	16	Ø 7/8" X 12" BOLTS, NUTS, & WASHERS	A325, A563, & F436

Vermont Agency of Transportation
RECEIVED

CK'D BY JAG OK'D BY JEL

December 12, 2012

RESUBMIT NO Approved
BY J. LACROIX DATE 02/01/13

NOTES:

1. DUE TO THE SMALL RISE (EX: SOUTH RAIL W/ THE TIGHTER RADIUS [235'-3"] HAS A 9/16" RISE OVER 9'5"), ALL RAIL WILL BE FABRICATED WITHOUT A SHOP FORMED RADIUS.

ITEM #: 900.640 GEN CONTR: F.R. LAFAYETTE SHEET 5 OF 6

APPROVED BY: _____

BRIDGE RAIL DETAILS SHEET
BARRE TOWN BR# 6100 (7)
TOWN OF BARRE, WASHINGTON COUNTY, VT.

R NO.	DATE	DESCRIPTION	BY	R NO.	DATE	DESCRIPTION	BY

ELDERLEE, INC.
OAKS CORNERS, NEW YORK 14578
E-Mail: dlong@elderlee.com
Tel: 315-789-6670 Fax: 315-789-6615

DRAWN	E.P.	12/04/12
CHECKED	D.L.	12/04/12
APPROVED		
SCALE	SCHEMATIC	
DRAWING NO. F.R. LAFAYETTE-BARRE		