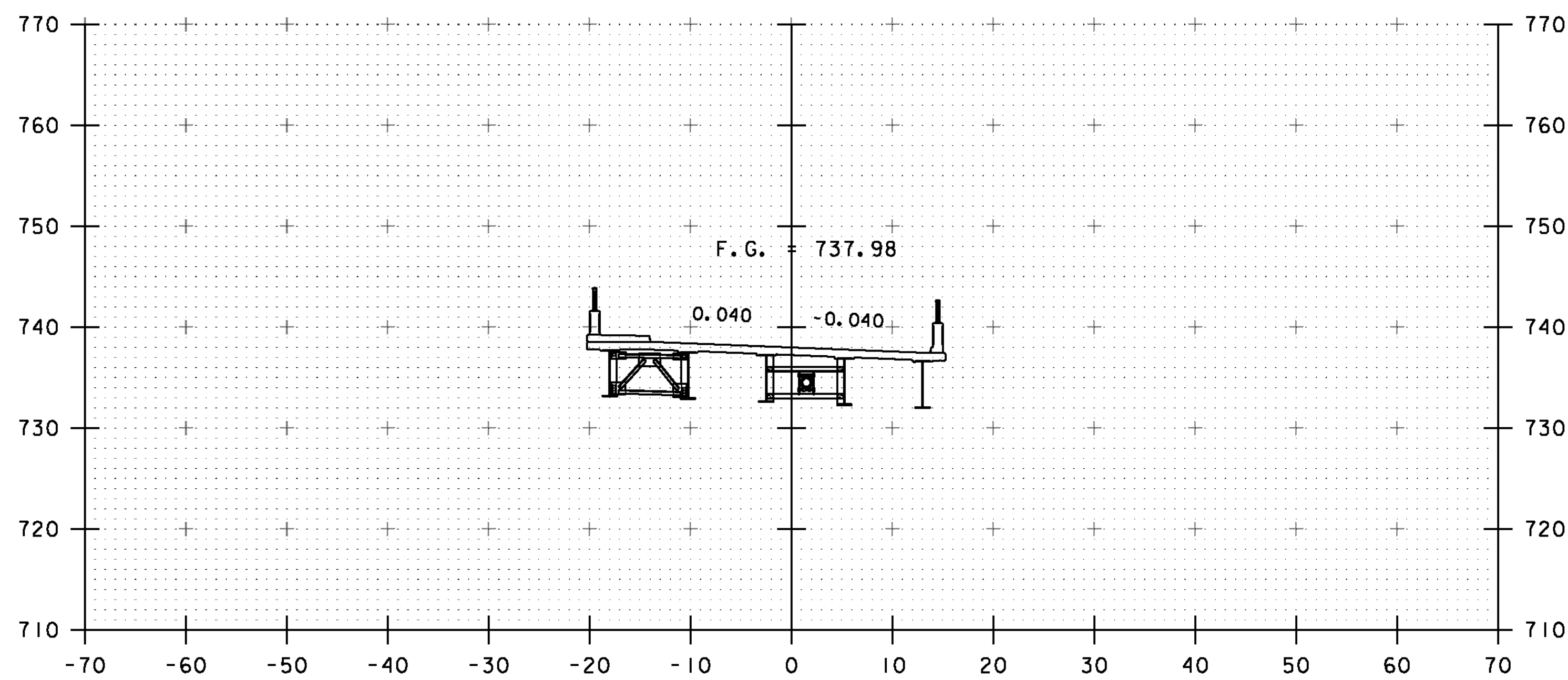
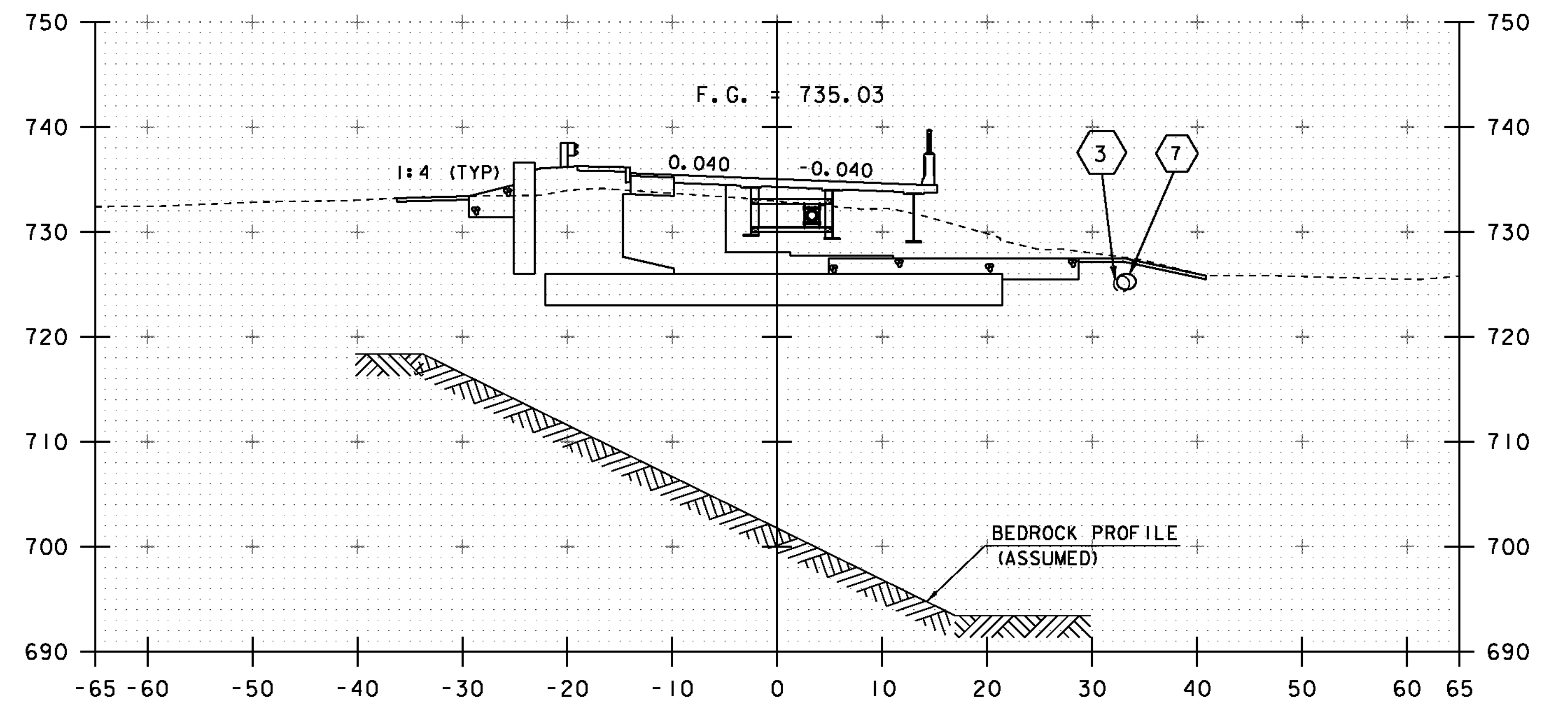


13+75



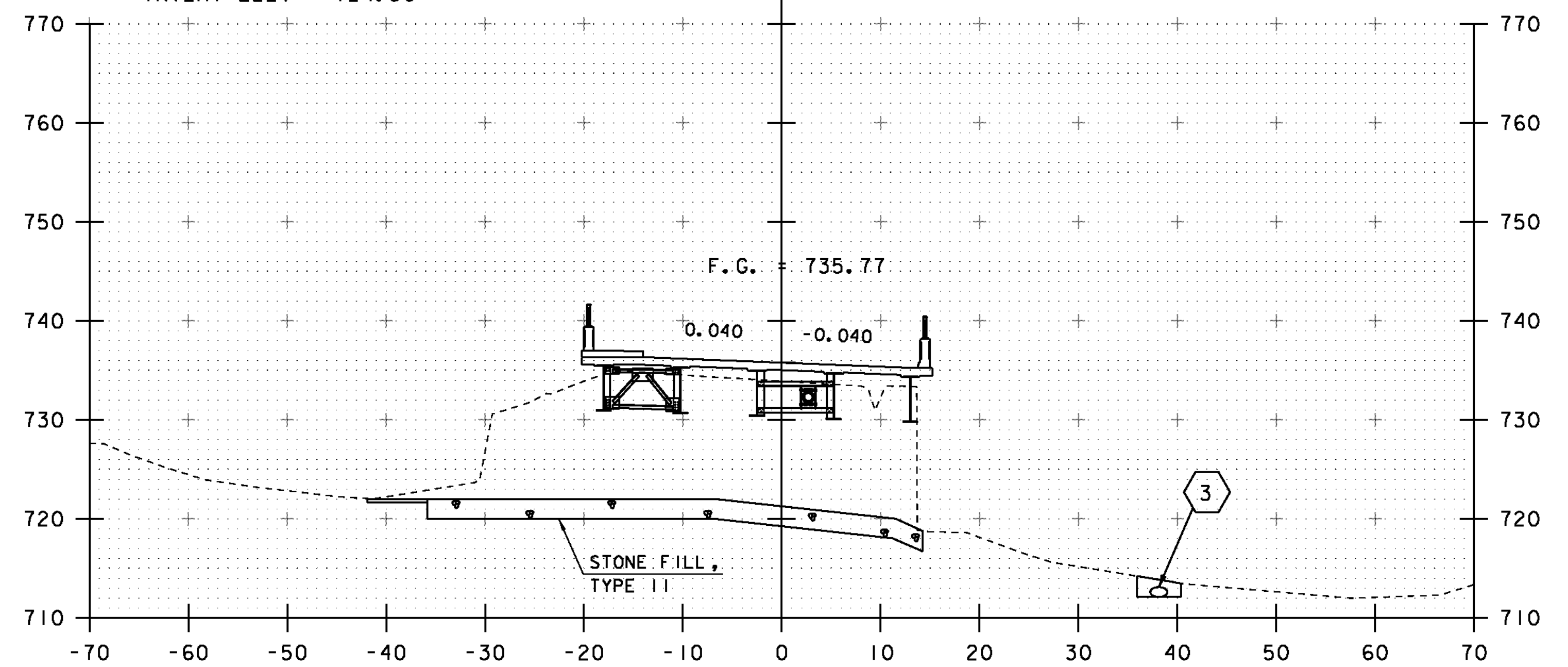
13+50



14+25

7 PROPOSED 18" PIPE OPTION  
33' -3" RIGHT  
INVERT ELEV = 724.50

3 REMOVE EXISTING 12" PIPE



14+00

3 REMOVE EXISTING 12" PIPE

STA. 13+50 TO STA. 14+25

PROJECT NAME: BARRE TOWN  
PROJECT NUMBER: BRP 6100(7)  
FILE NAME: s06j002bdr.dgn  
PROJECT LEADER: J. LACROIX  
DESIGNED BY: T. FILLBACH  
MAINLINE CROSS SECTIONS 3

PLOT DATE: 27-SEP-2012  
DRAWN BY: G. LAROCHE  
CHECKED BY: T. FILLBACH  
SHEET 56 OF 70