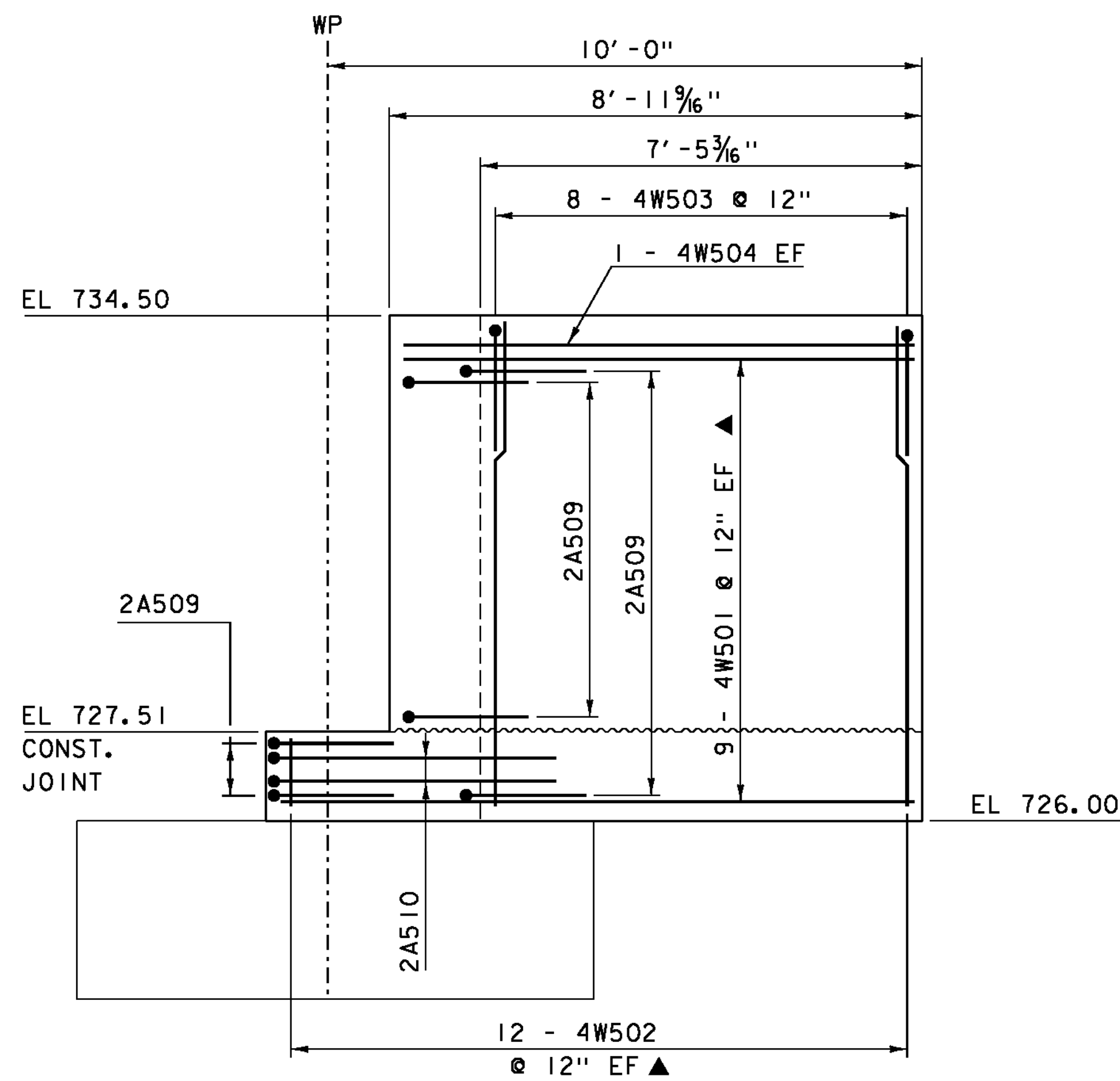
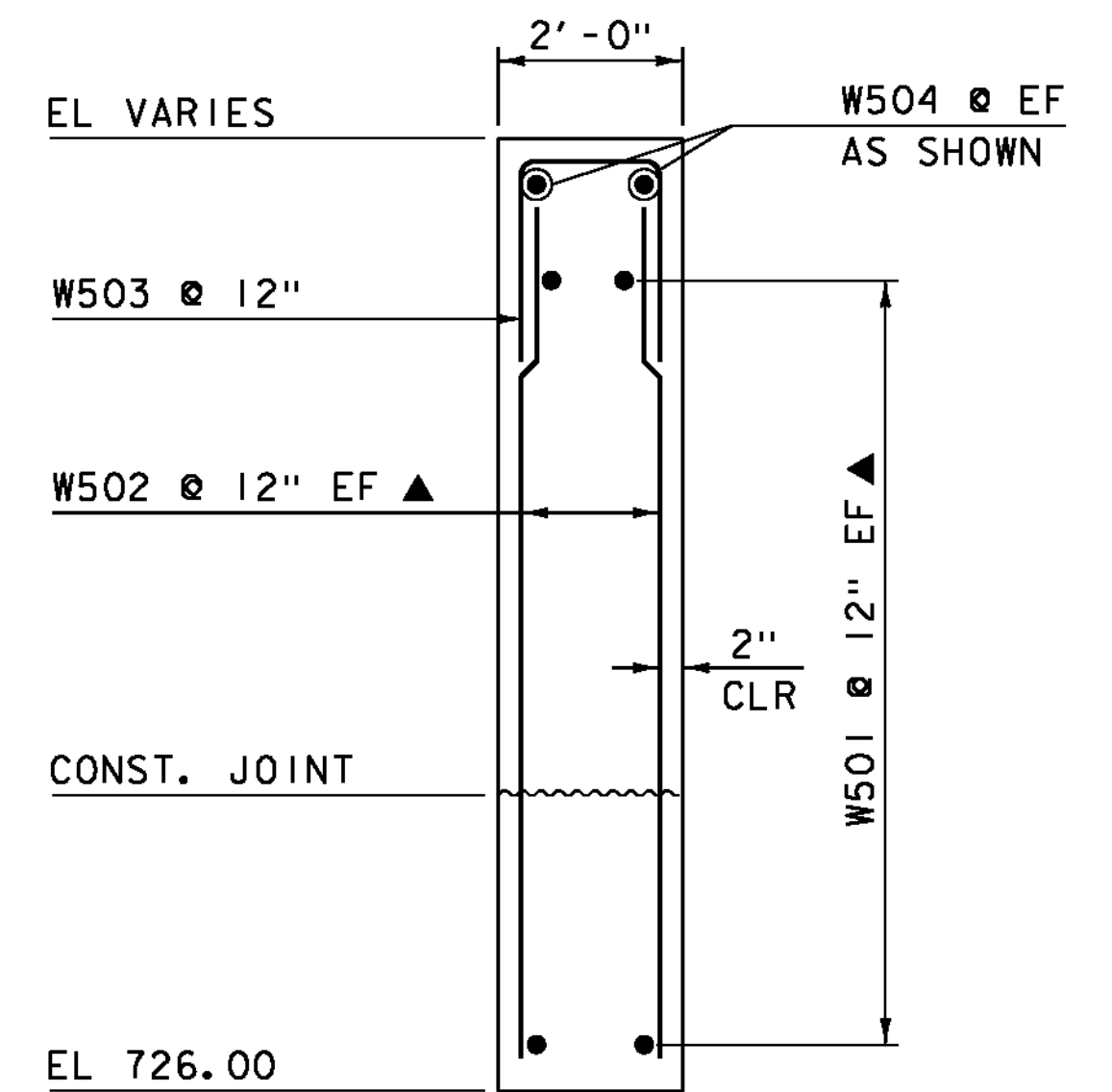


WINGWALL 3 ELEVATION
SCALE 1/2" = 1' - 0"



WINGWALL 4 ELEVATION
SCALE 1/2" = 1' - 0"



WINGWALL 3 & 4
TYPICAL SECTION
SCALE 1/2" = 1' - 0"

NOTE:

- NF = NEAR FACE
- FF = FAR FACE
- EF = EACH FACE
- E = LEVEL 2 REINFORCING STEEL
- ▲ = CUT TO FIT IN FIELD
- 3" CLEAR, UNLESS OTHERWISE SPECIFIED ON THE PLANS.
- 2'-2" BAR LAP UNLESS OTHERWISE SPECIFIED ON THE PLANS.

PROJECT NAME: BARRE TOWN
PROJECT NUMBER: BRF 6100(7)
FILE NAME: s06j002sub2.dgn
PROJECT LEADER: J. LACROIX
DESIGNED BY: T. FILLBACH
WING WALLS 3 & 4

PLOT DATE: 27-SEP-2012
DRAWN BY: K. FRIEDLAND
CHECKED BY: J. SALVATORI
SHEET 50 OF 70