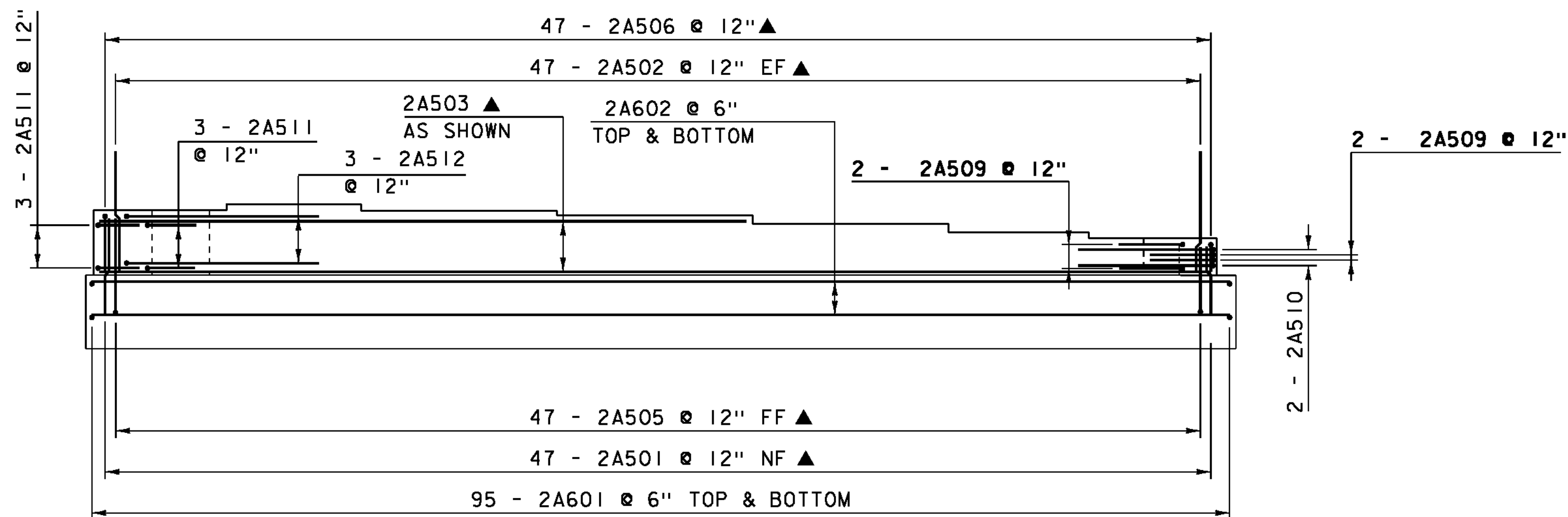
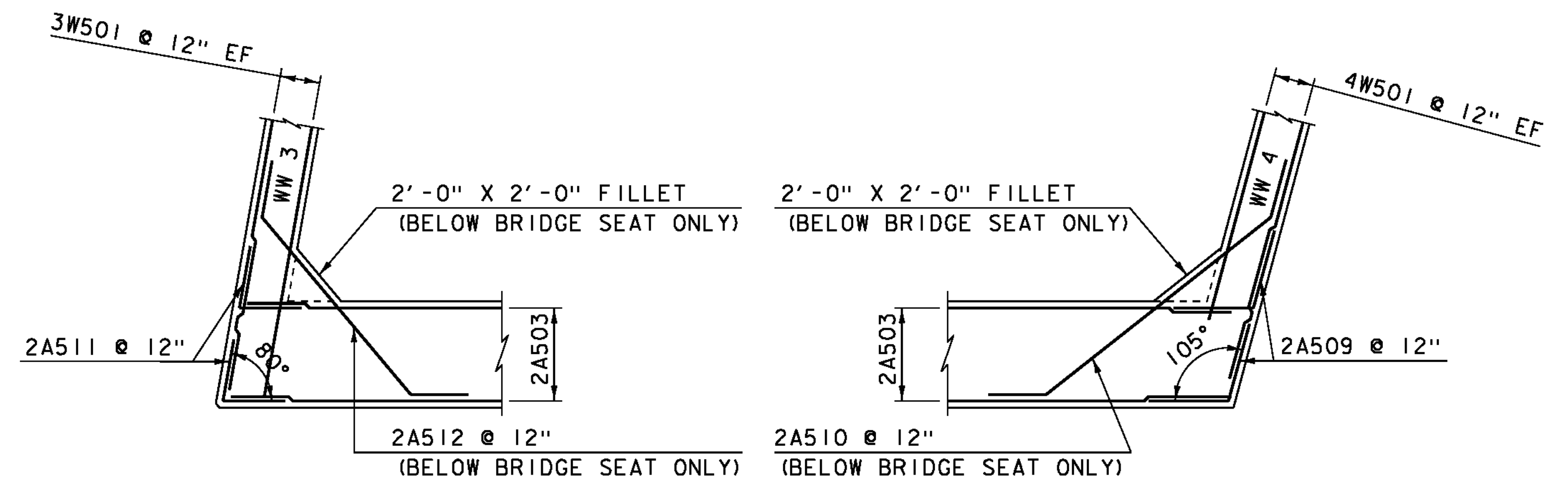


**ABUTMENT 2 FOOTING REINFORCING PLAN**  
SCALE 1/4" = 1' - 0"



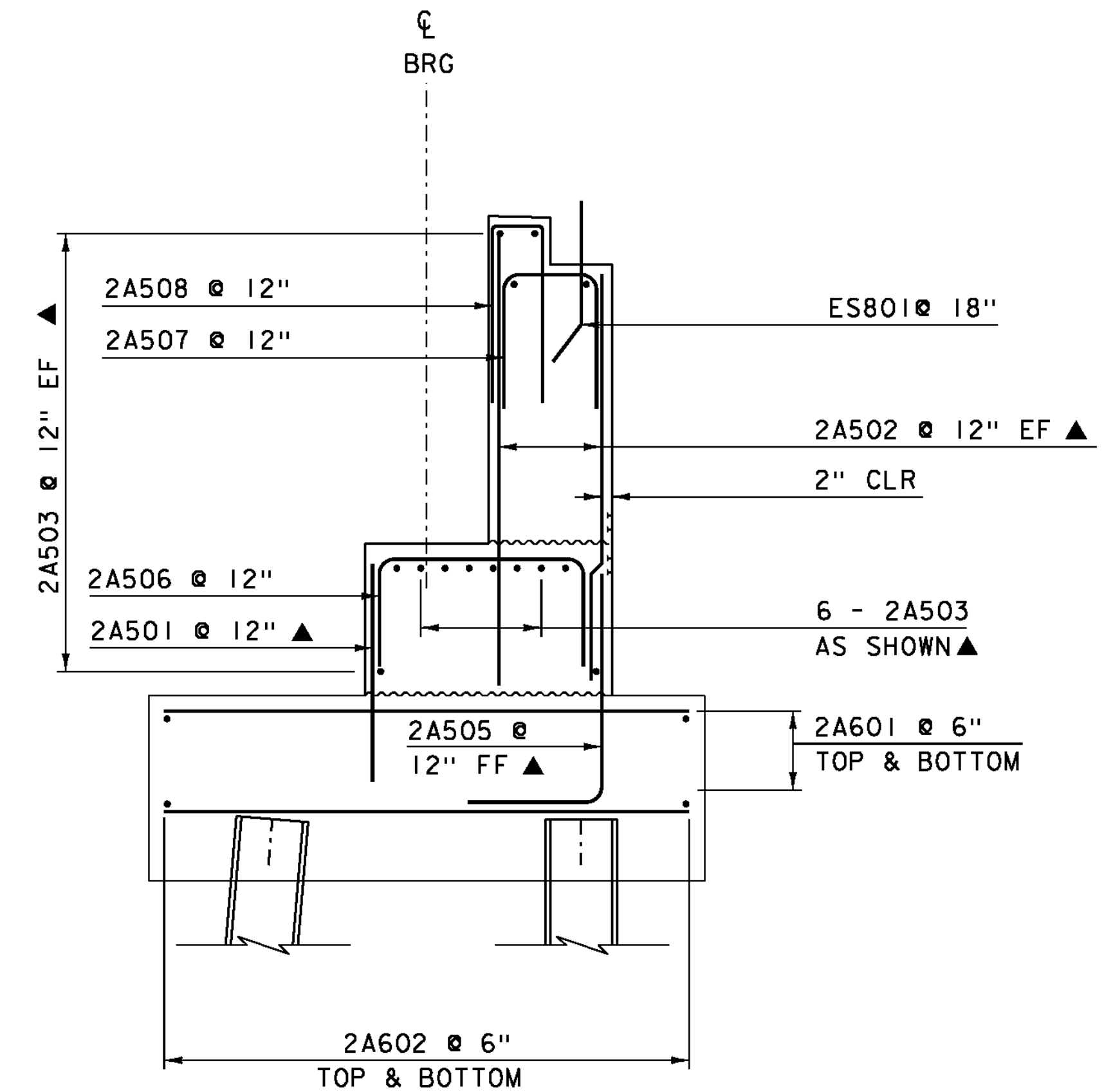
**ABUTMENT 2 REINFORCING ELEVATION**  
SCALE 1/4" = 1' - 0"



**CORNER DETAIL @ WW3**  
SCALE 1/4" = 1' - 0"

**CORNER DETAIL @ WW4**  
SCALE 1/4" = 1' - 0"

NOTE: SEE STRUCTURE DETAILS "SD-501.00" AND "SD-502.00".



**ABUTMENT 2 SECTION REINFORCING TYPICAL**

SCALE 1/2" = 1' - 0"

**NOTE:**

- NF = NEAR FACE
- FF = FAR FACE
- EF = EACH FACE
- E = LEVEL 2 REINFORCING STEEL
- ▲ = CUT TO FIT IN FIELD
- 3" CLEAR, UNLESS OTHERWISE SPECIFIED ON THE PLANS.
- 2' - 2" BAR LAP UNLESS OTHERWISE SPECIFIED ON THE PLANS.

NOTE: BACKWALL AND WING WALLS ARE NOT SHOWN, FOR INFORMATION SEE SHEETS "ABUTMENT 2 BACKWALL DETAILS" AND "WING WALLS 3 & 4"

|                              |   |
|------------------------------|---|
| PROJECT NAME: BARRE TOWN     | PLOT DATE: 27-SEP-2012                                |
| PROJECT NUMBER: BRF 6100 (7) | DRAWN BY: K.FRIEDLAND                                 |
| FILE NAME: s06j002sub2.dgn   | CHECKED BY: J.SALVATORI                               |
| PROJECT LEADER: J. LACROIX   | ABUTMENT 2 REINFORCING AND PILE LAYOUT SHEET 49 OF 70 |
| DESIGNED BY: T.FILLBACH      |   |