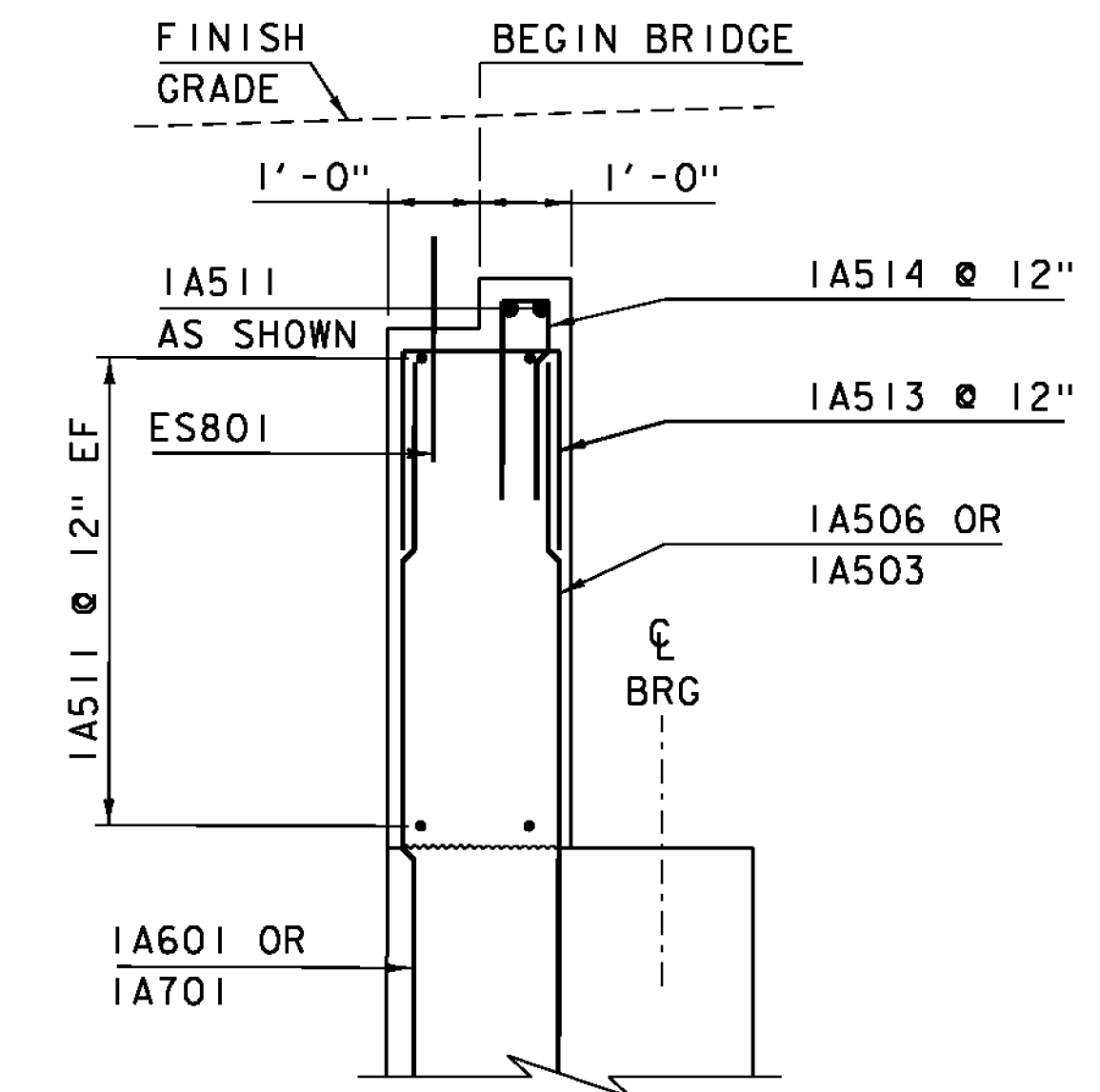
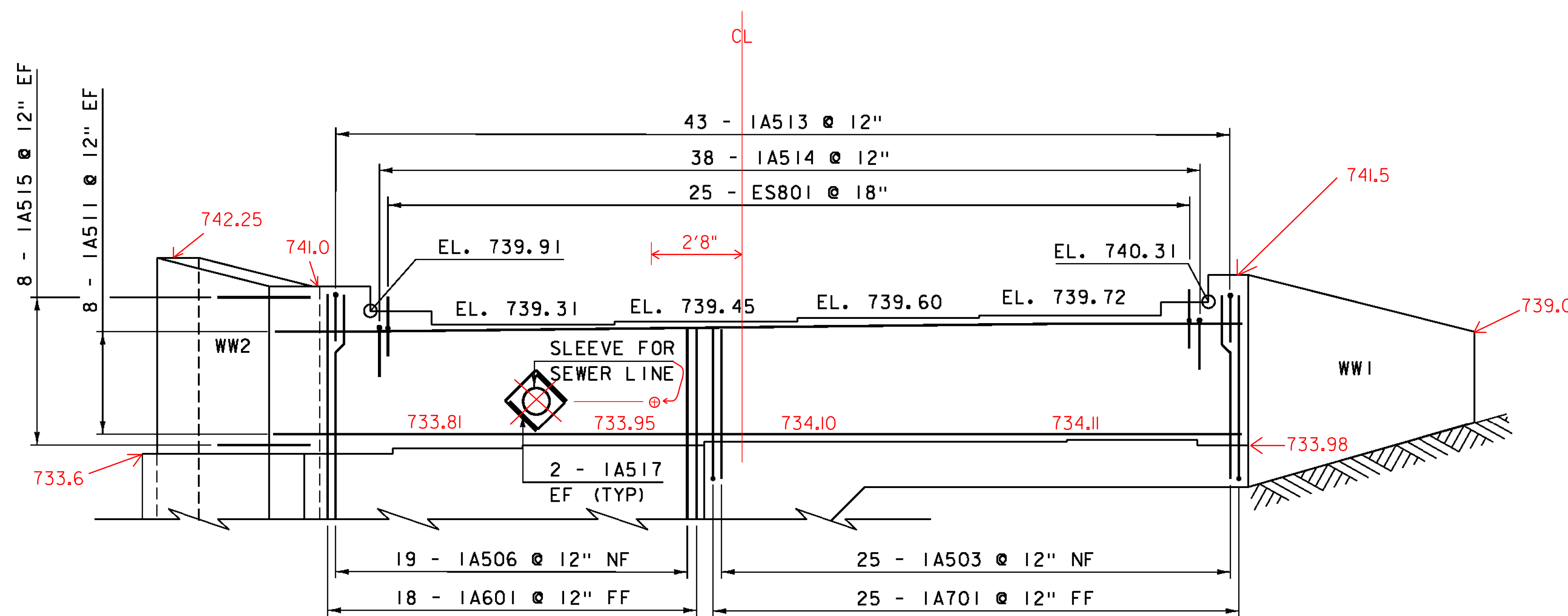


ABUTMENT I BACKWALL REINFORCING PLAN
SCALE 1/4" = 1'-0"



ABUTMENT I BACKWALL TYPICAL SECTION
SCALE 1/2" = 1'-0"



ABUTMENT I BACKWALL REINFORCING ELEVATION
SCALE 1/4" = 1'-0"

NOTE:
 NF = NEAR FACE
 FF = FAR FACE
 EF = EACH FACE
 E = LEVEL 2 REINFORCING STEEL
 ▲ = CUT TO FIT IN FIELD
 3" CLEAR, UNLESS OTHERWISE SPECIFIED ON THE PLANS.
 2'-2" BAR LAP UNLESS OTHERWISE SPECIFIED ON THE PLANS.

PROJECT NAME: BARRE TOWN	PLOT DATE: 27-SEP-2012
PROJECT NUMBER: BRF 6100(7)	DRAWN BY: R. PELLETT
FILE NAME: s06J002sub.dgn	DESIGNED BY: J. LACROIX
PROJECT LEADER: J. LACROIX	CHECKED BY: J. SALVATORI
BACKWALL ABUTMENT I	SHEET 47 OF 70