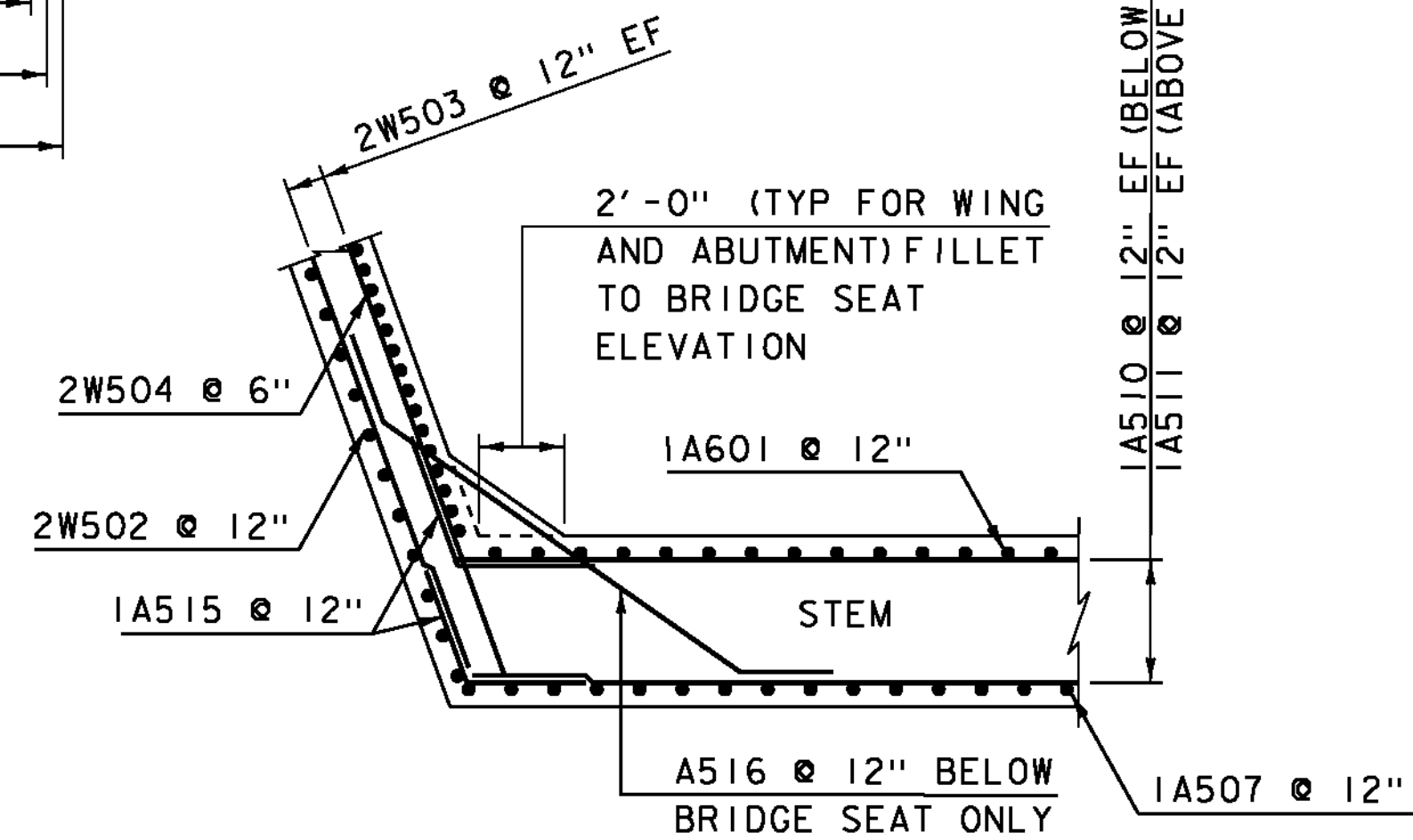
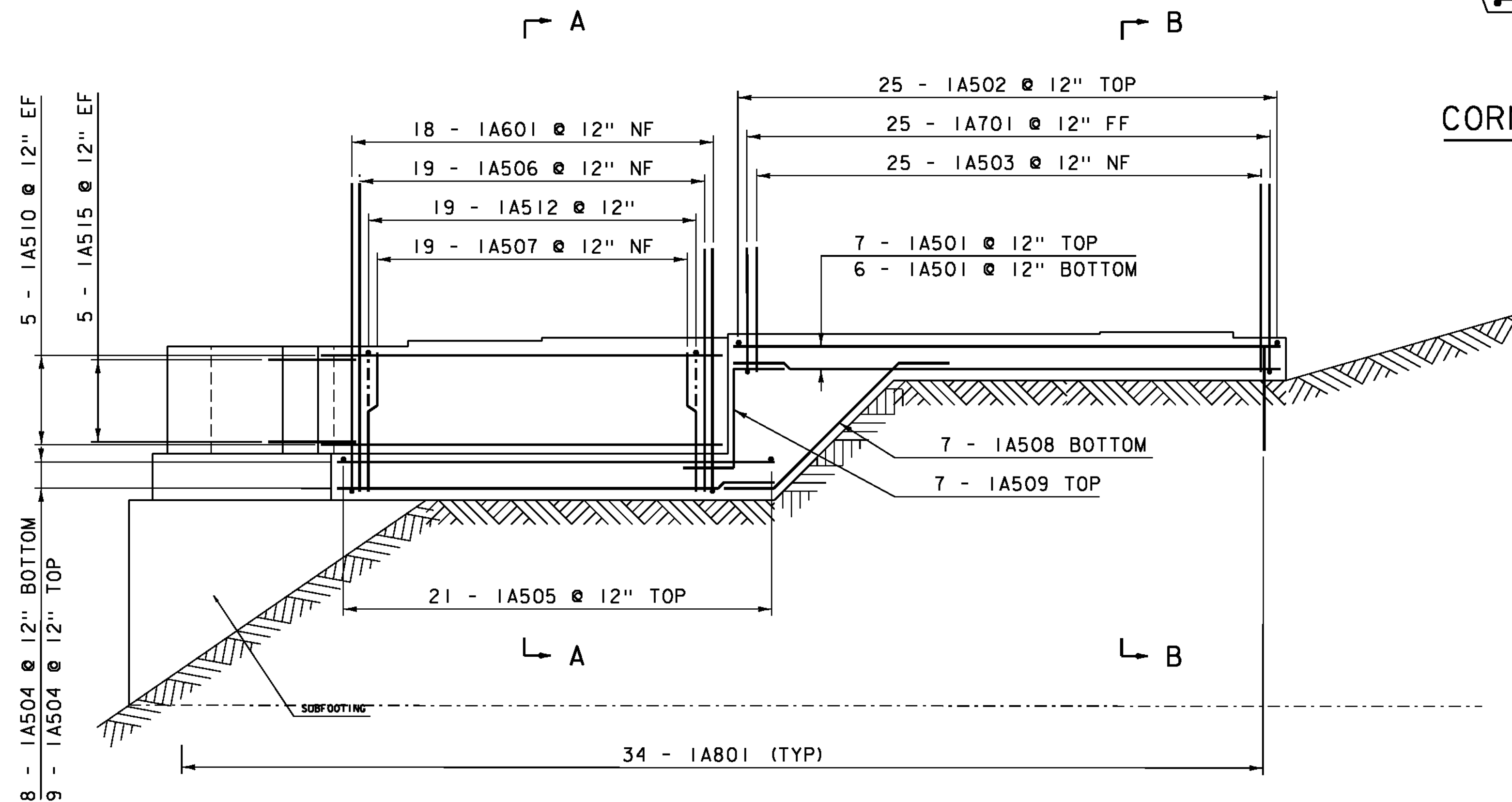


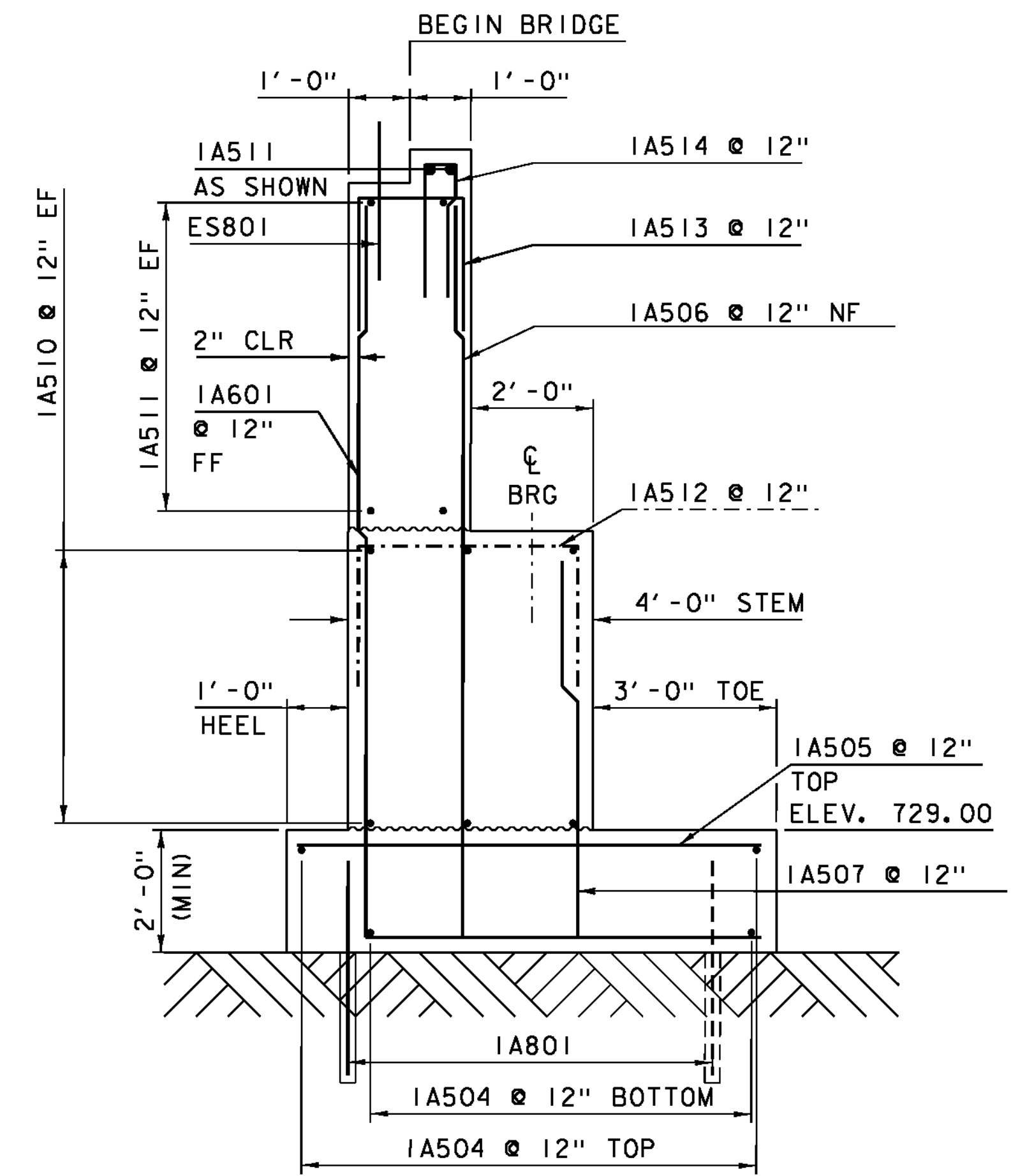
ABUTMENT #1 FOOTING REINFORCING PLAN
SCALE 1/4" = 1'-0"



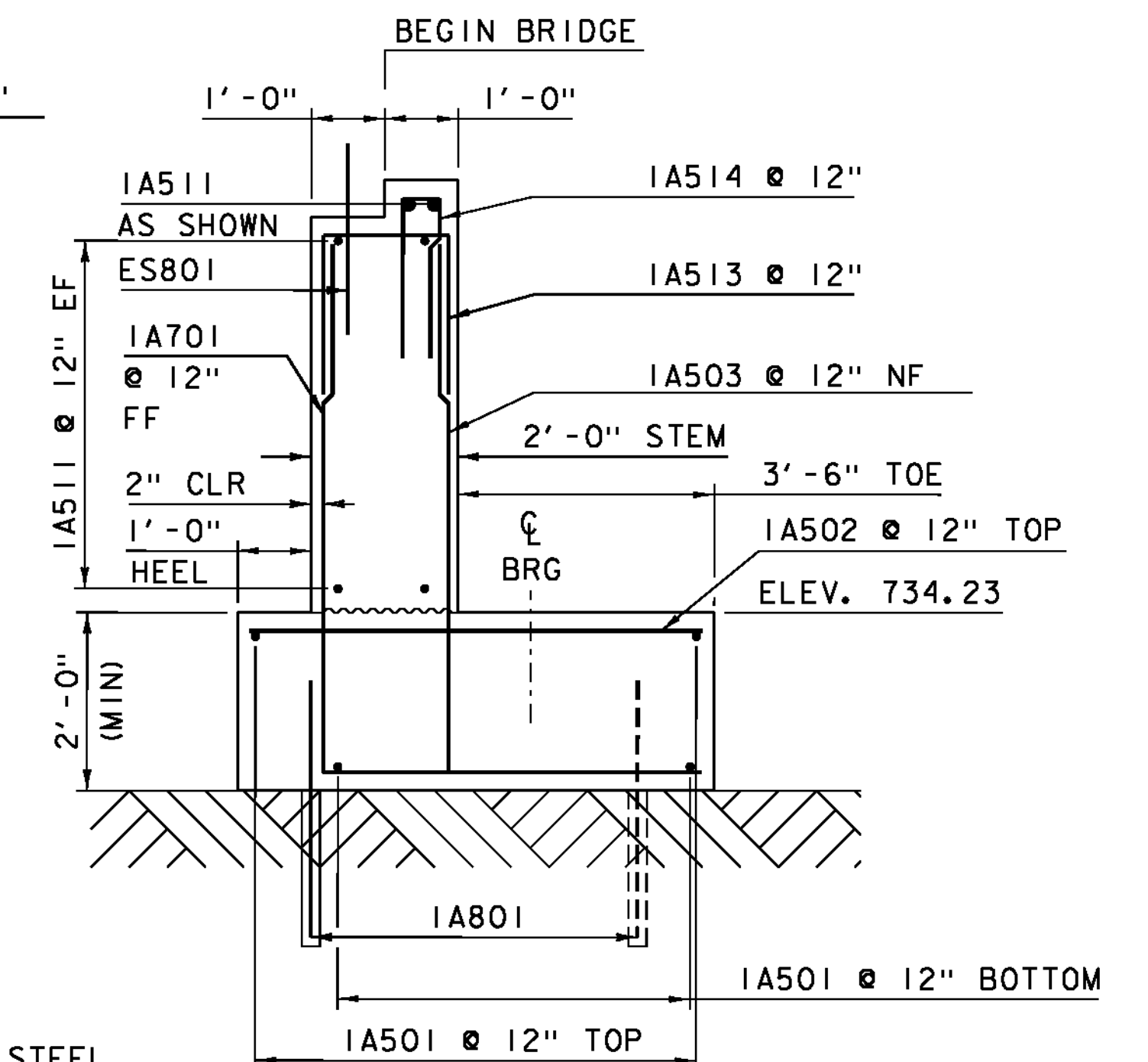
CORNER DETAIL @ WW #2
SCALE 1/4" = 1'-0"



ABUTMENT #1 FOOTING REINFORCING ELEVATION
SCALE 1/4" = 1'-0"



SECTION A-A
SCALE 1/2" = 1'-0"



SECTION B-B
SCALE 1/2" = 1'-0"

NOTE:
NF = NEAR FACE
FF = FAR FACE
EF = EACH FACE
E = LEVEL 2 REINFORCING STEEL
▲ = CUT TO FIT IN FIELD
3" CLEAR, UNLESS OTHERWISE SPECIFIED ON THE PLANS.
2'-2" BAR LAP UNLESS OTHERWISE SPECIFIED ON THE PLANS.

SEE STRUCTURES DETAILS SD-501.00 AND SD-502.00 FOR ADDITIONAL INFORMATION

NOTE:
BACKWALL AND WINGWALLS NOT SHOWN

PROJECT NAME: BARRE TOWN
PROJECT NUMBER: BRF 6100(7)

FILE NAME: s06J002sub.dgn
PROJECT LEADER: J. LACROIX
DESIGNED BY: J. LACROIX
ABUTMENT I REINFORCING PLAN

PLOT DATE: 27-SEP-2012
DRAWN BY: R. PELLETT
CHECKED BY: J. SALVATORI
SHEET 45 OF 70