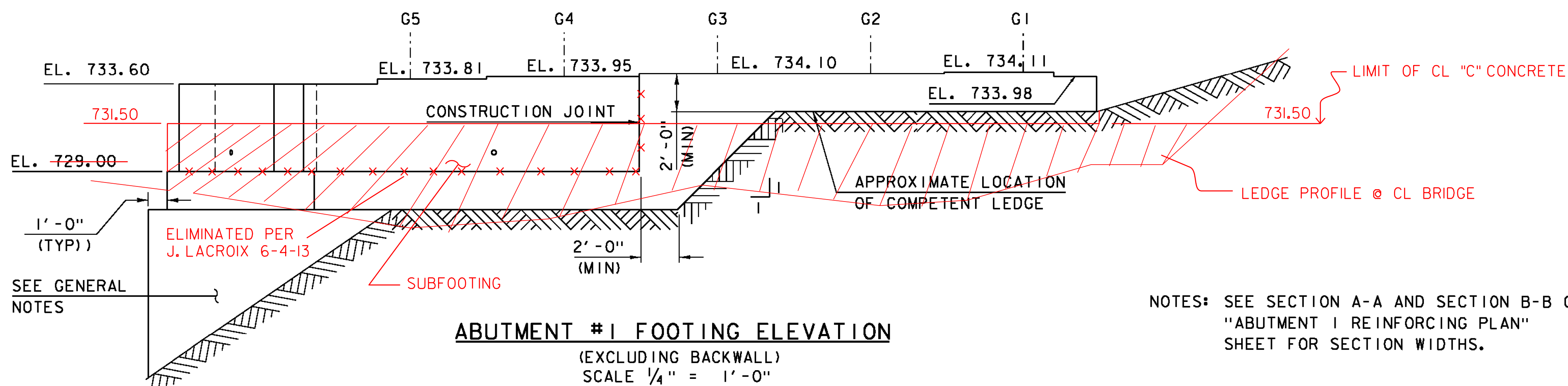
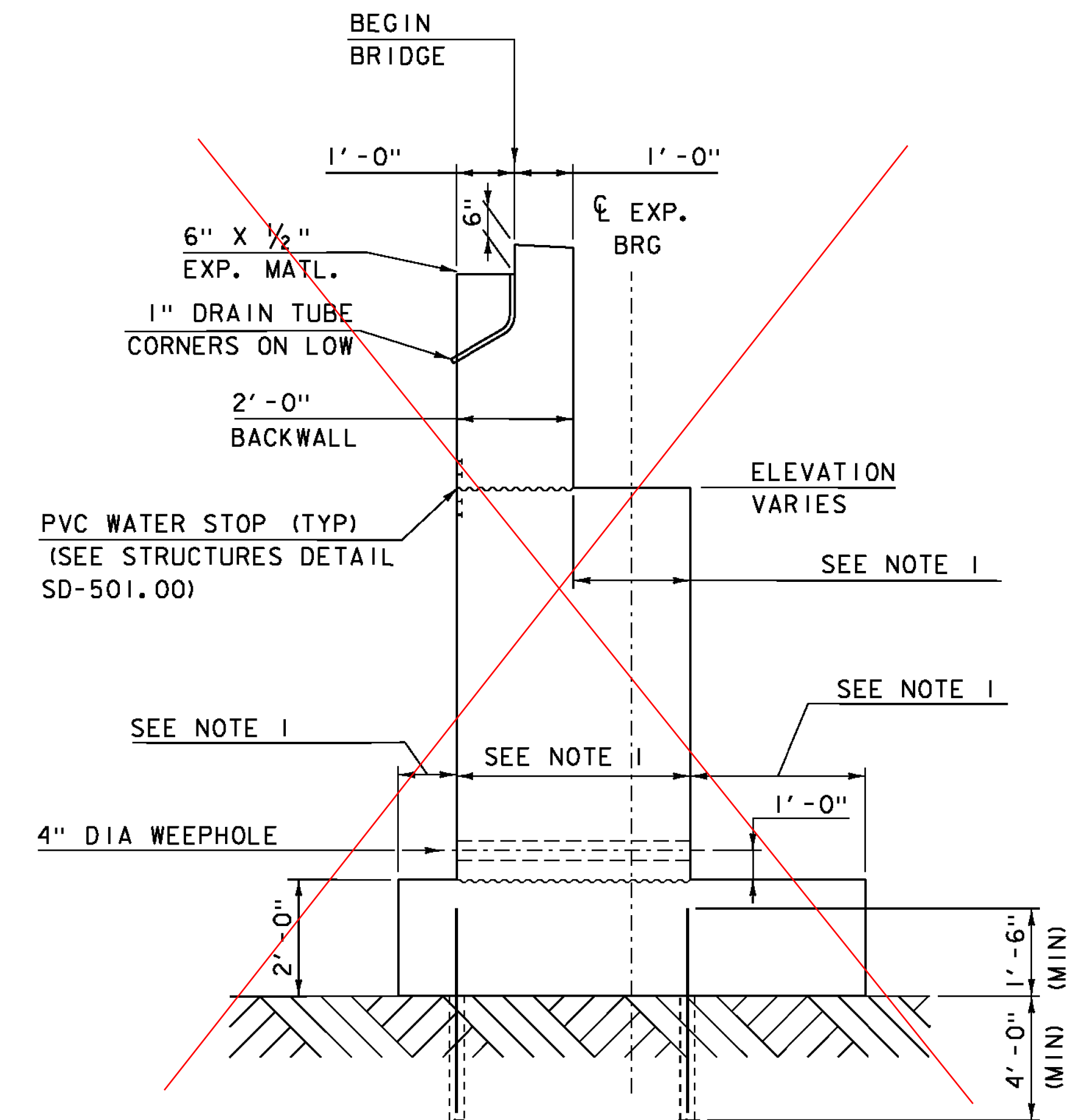


**ABUTMENT #1 FOOTING PLAN**  
SCALE 1/4" = 1'-0"



**ABUTMENT #1 FOOTING ELEVATION**  
(EXCLUDING BACKWALL)  
SCALE 1/4" = 1'-0"



**ABUTMENT #1  
BRIDGE END DETAIL**  
SCALE 1/2" = 1'-0"

NOTE:  
BACKWALL AND WINGWALLS NOT SHOWN

NOTES: SEE SECTION A-A AND SECTION B-B ON  
"ABUTMENT #1 REINFORCING PLAN"  
SHEET FOR SECTION WIDTHS.

SEE STRUCTURES DETAILS SD-501.00 AND SD-502.00  
FOR ADDITIONAL INFORMATION

PROJECT NAME: BARRE TOWN	PLOT DATE: 27-SEP-2012
PROJECT NUMBER: BRF 6100(7)	DRAWN BY: R. PELLETT
FILE NAME: s06J002sub.dgn	DESIGNED BY: J. LACROIX
PROJECT LEADER: J. LACROIX	CHECKED BY: J. SALVATORI
ABUTMENT #1	SHEET 44 OF 70