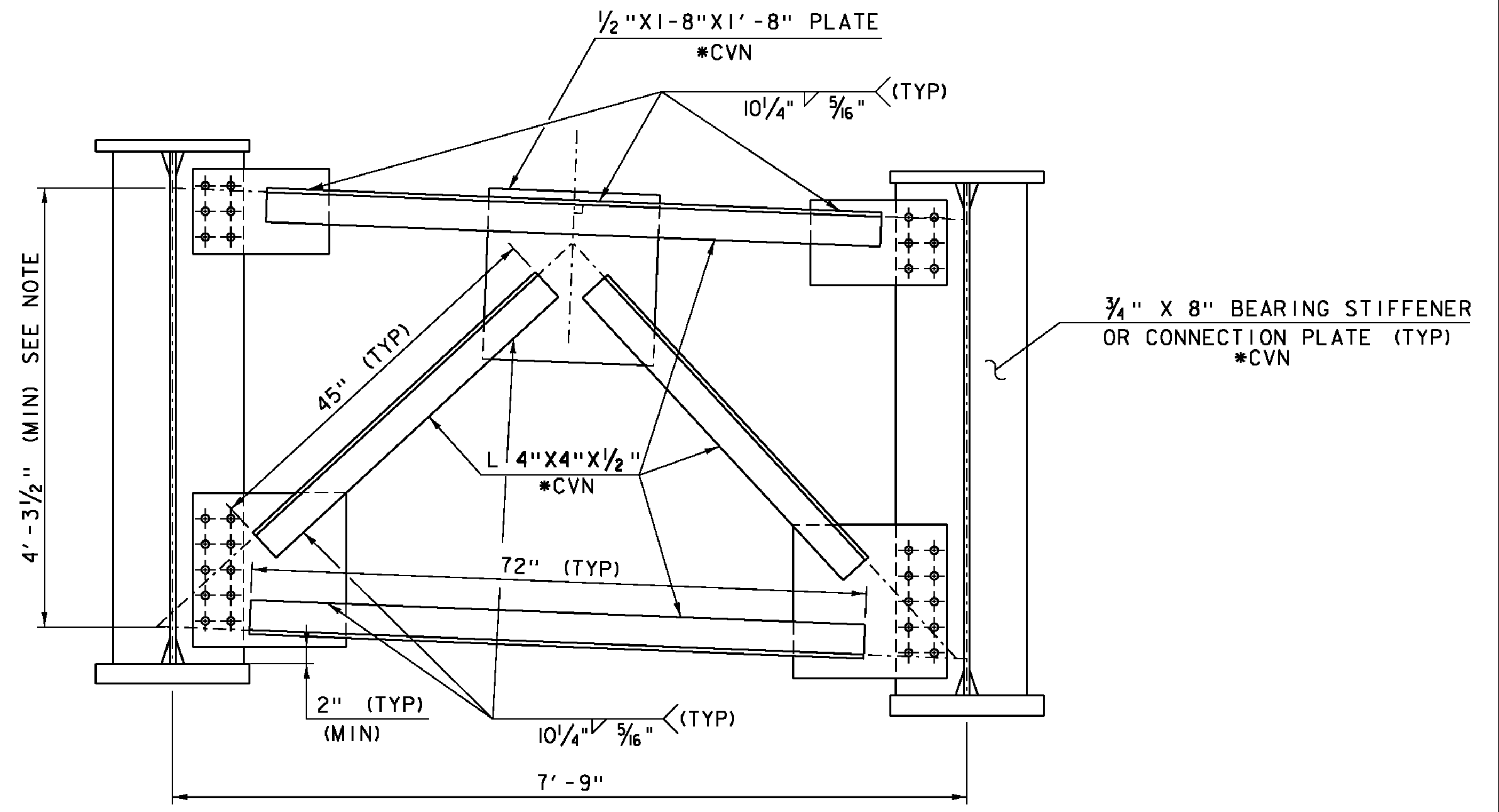
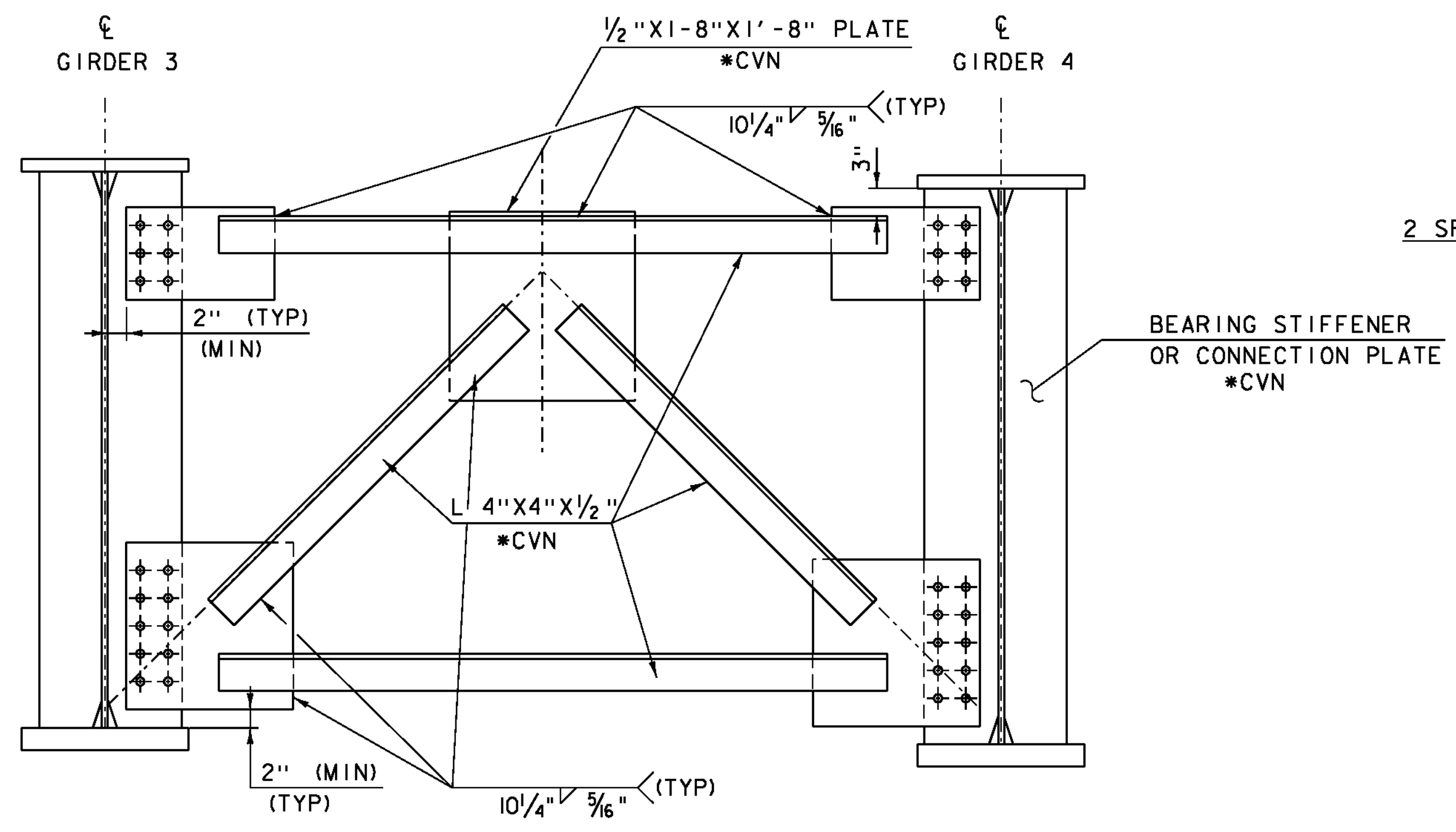


TYPICAL END DIAPHRAGM
SCALE 1" = 1'-0"

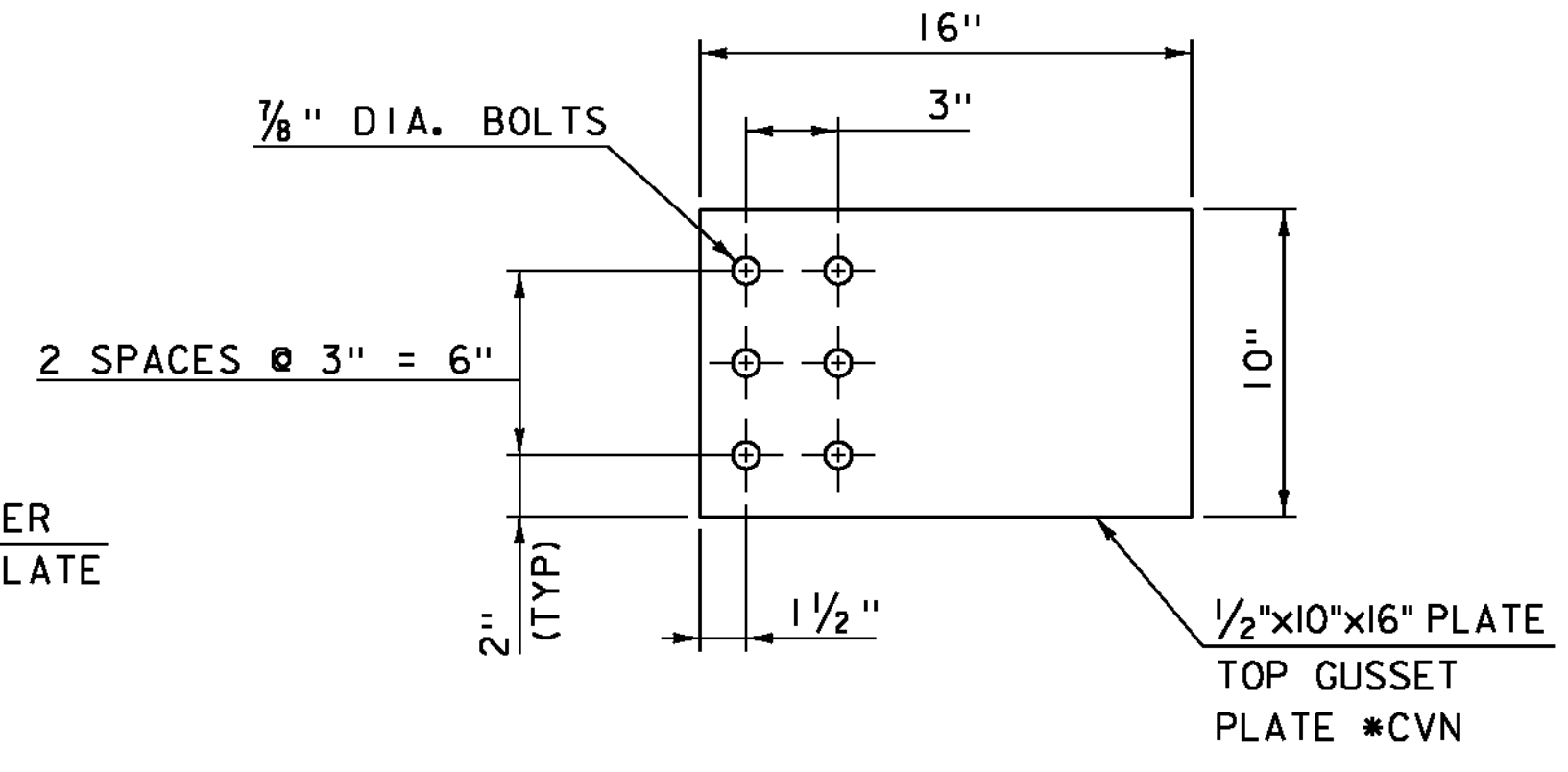


CROSSFRAME
SCALE 1" = 1'-0"

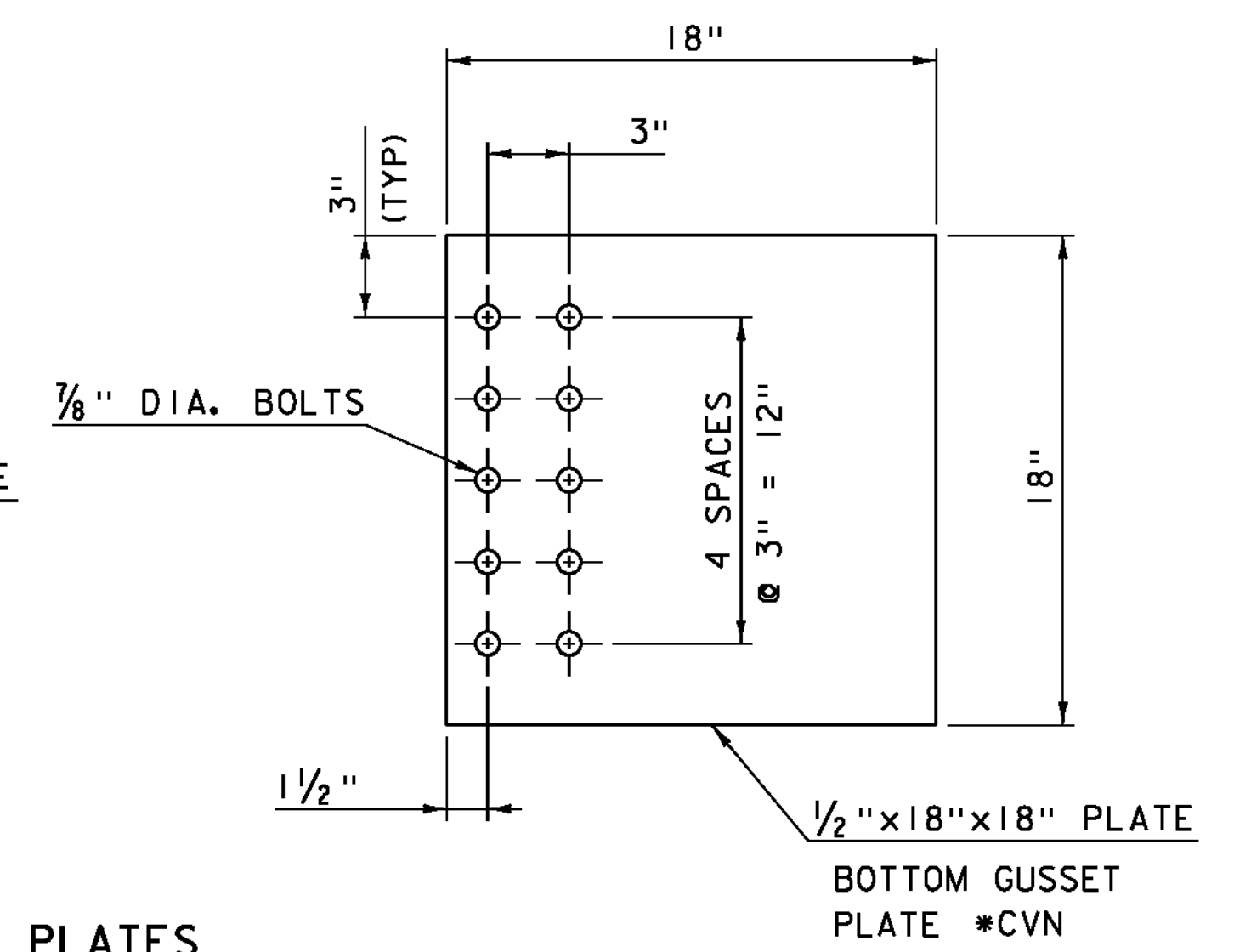
NOTE:
PLASTIC NEUTRAL AXIS OF THE TOP CHORD AND BOTTOM CHORD SHALL BE A MINIMUM OF 4'-3 1/2" APART



END DIAPHRAGM FOR UTILITY BAY
SCALE 1" = 1'-0"



1/2" GUSSET PLATES
SCALE 1 1/2" = 1'-0"



*CVN DENOTES THAT CHARPY V-NOTCH TEST IS REQUIRED

PROJECT NAME:	BARRE TOWN	PLOT DATE:	27-SEP-2012
PROJECT NUMBER:	BRF 6100(7)	DRAWN BY:	R. PELLETT
FILE NAME:	s06j002sup.dgn	DESIGNED BY:	J. GRIFFIN
PROJECT LEADER:	J. LACROIX	CHECKED BY:	J. GRIFFIN
BRACING DETAILS		SHEET	40 OF 70