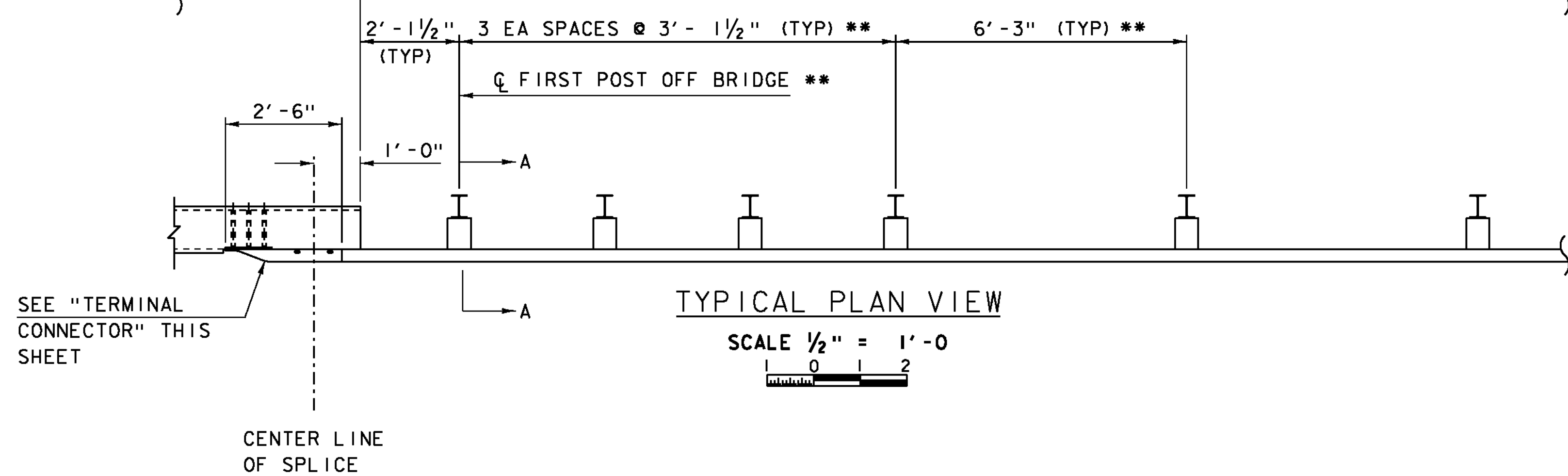


PAY LIMITS FOR SPECIAL PROVISION (BRIDGE RAILING, GALVANIZED METAL HAND RAILING/CONCRETE PARAPET COMBINATION)

PAY LIMITS FOR HD STEEL BEAM GUARDRAIL, GALVANIZED

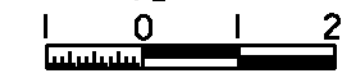


SEE "TERMINAL CONNECTOR" THIS SHEET

CENTER LINE OF SPLICE

TYPICAL PLAN VIEW

SCALE 1/2" = 1'-0"



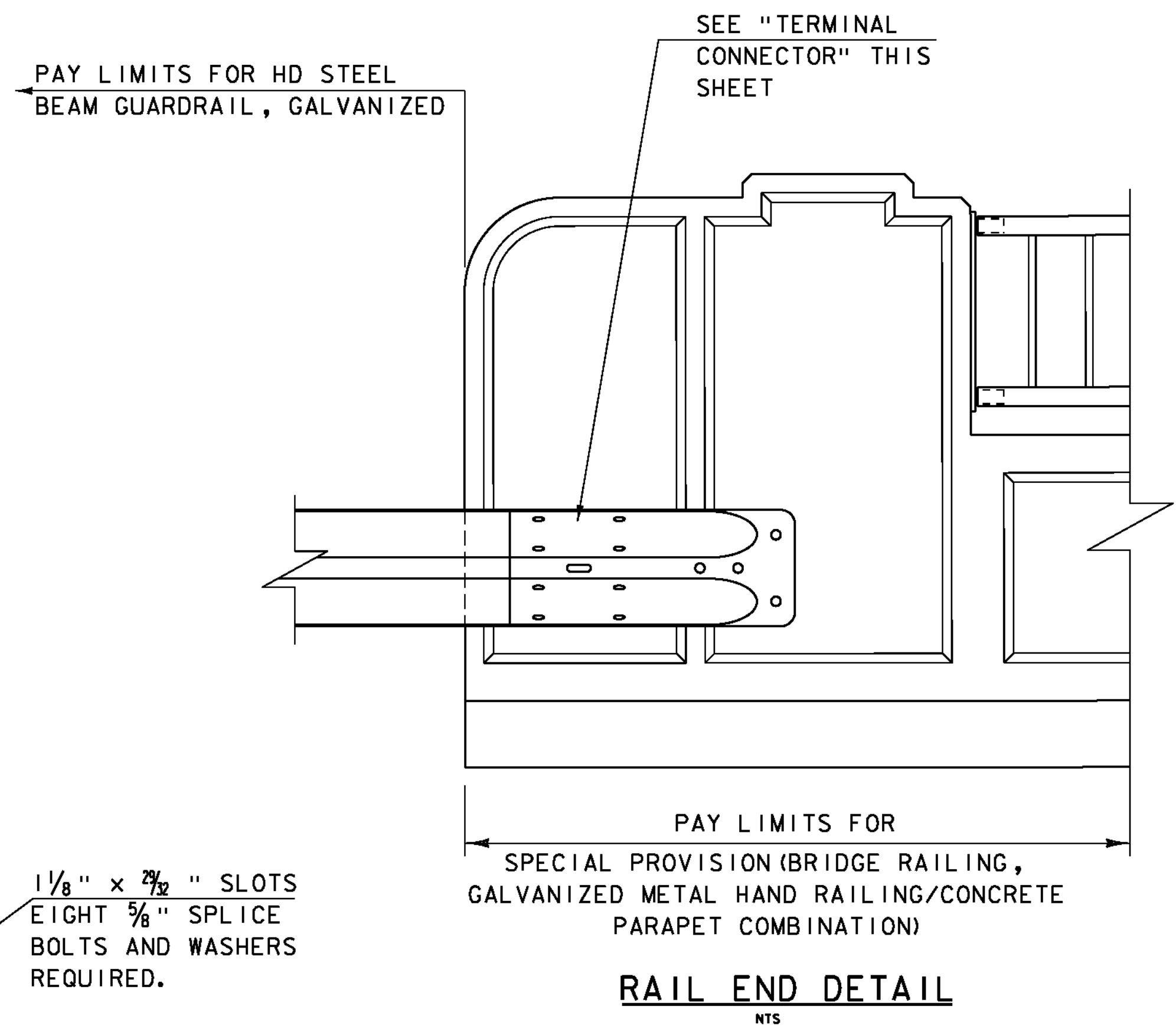
HD STEEL BEAM GUARDRAIL GALVANIZED PAY FACTORS		
DESCRIPTION	POST SPACING	PAY FACTOR
STANDARD PANEL	6'-3"	1.0
STANDARD PANEL	4'-2"	1.2
STANDARD PANEL	3'-1 1/2"	1.4
NESTED PANEL	3'-1 1/2"	1.8

** 6'-0" POSTS USED ON APPROACH RAILS ATTACHED TO BRIDGE RAILING, (BRIDGE RAILING, GALVANIZED METAL HAND RAILING/CONCRETE PARAPET COMBINATION) AT WING WALL LOCATIONS 1, 3 AND 4.

8'-0" POSTS ARE USED ON APPROACH RAIL TO BRIDGE RAILING, (BRIDGE RAILING, GALVANIZED METAL HAND RAILING/CONCRETE PARAPET COMBINATION) LOCATED AT WING WALL 2

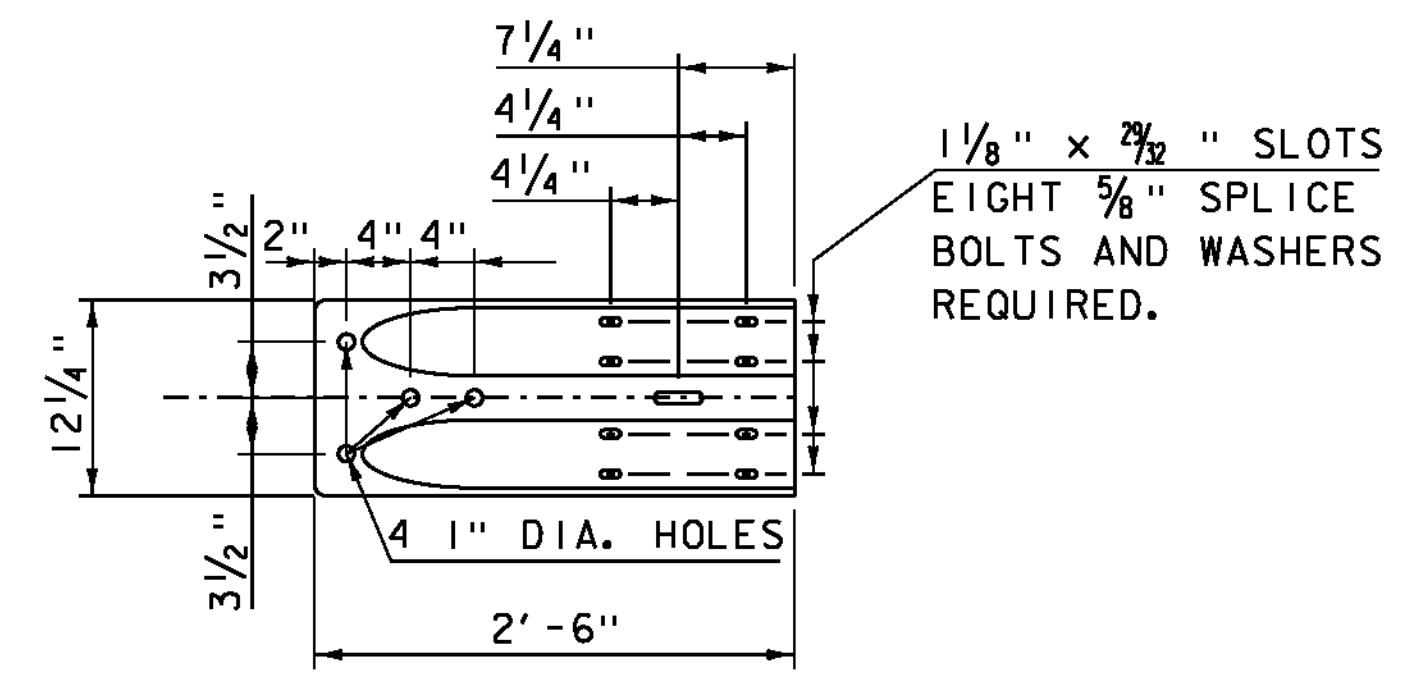
GENERAL NOTES

1. A COMPOSITE MATERIAL POST AND/OR BLOCKOUT FROM THE APPROVED PRODUCTS LIST MAY BE SUBSTITUTED FOR A POST AND/OR BLOCKOUT OF SIMILAR DIMENSIONS.
2. REFER TO STANDARD DRAWINGS G-1 AND G-1D FOR ADDITIONAL DETAILS.
3. THE TERMINAL CONNECTOR AND THE CONNECTION PLATE SHALL BE INCLUDED IN THE BID PRICE FOR ITEM 900.620 "SPECIAL PROVISION (BRIDGE RAILING, GALVANIZED METAL HAND RAILING/CONCRETE PARAPET COMBINATION)".



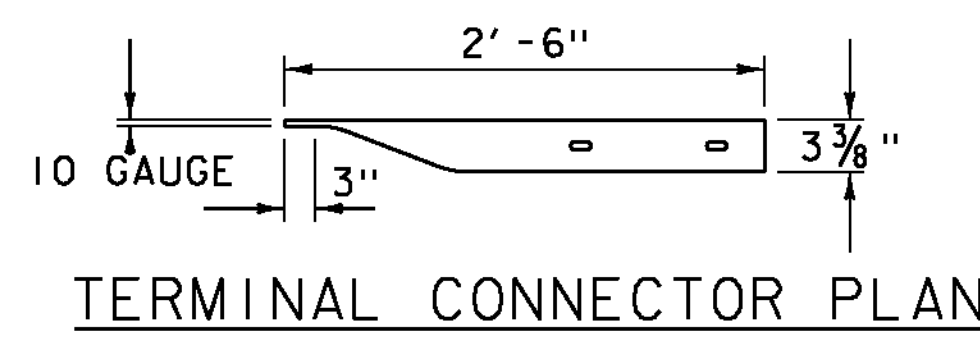
RAIL END DETAIL

NTS



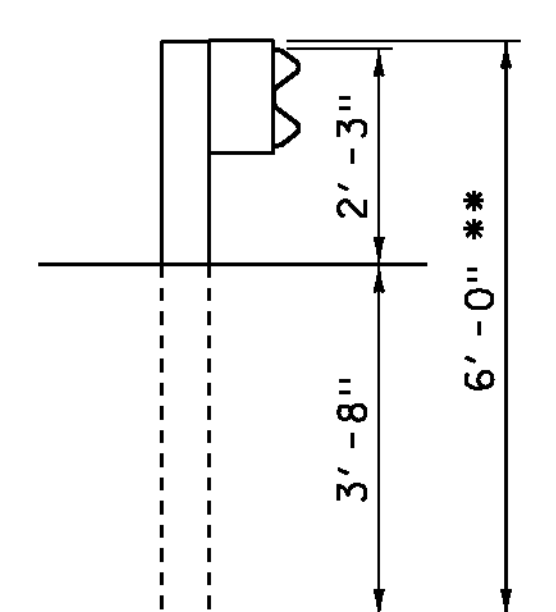
TERMINAL CONNECTOR ELEVATION

SCALE 1" = 1'-0"



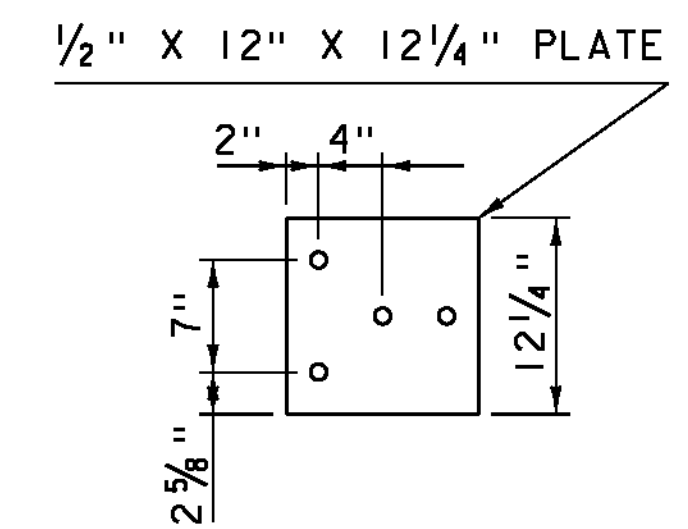
TERMINAL CONNECTOR PLAN

SCALE 1" = 1'-0"



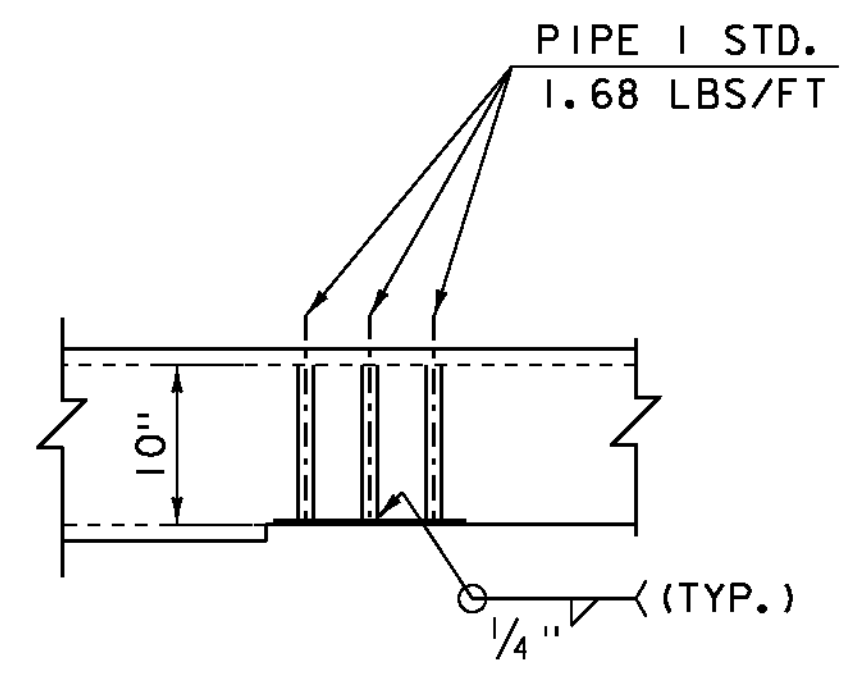
SECTION A-A

SCALE 1/2" = 1'-0"



CONNECTION PLATE DETAIL - ELEVATION

SCALE 1" = 1'-0"



CONNECTION PLATE DETAIL - PLAN

SCALE 1" = 1'-0"

THE USE OF THIS RAILING IS RESTRICTED TO DESIGN SPEEDS OF 45 MPH OR LESS.

PROJECT NAME: BARRE TOWN	PLOT DATE: 09-OCT-2012
PROJECT NUMBER: BRF 6100(7)	DRAWN BY: G. ROY
FILE NAME: s06j002raildet.dgn	CHECKED BY: J. SALVATORI
PROJECT LEADER: J. LACROIX	SHEET 34 OF 70
DESIGNED BY: G. ROY	
APPROACH RAIL DETAILS	