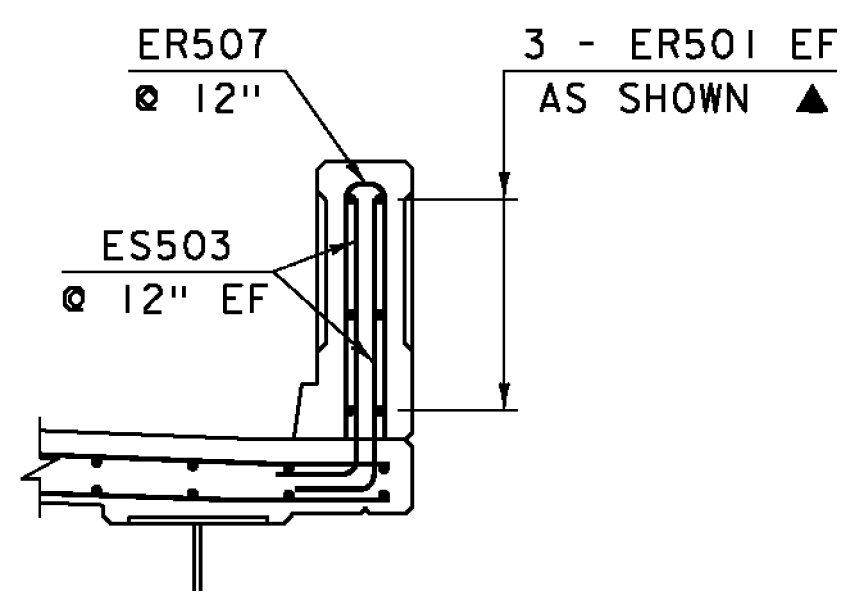


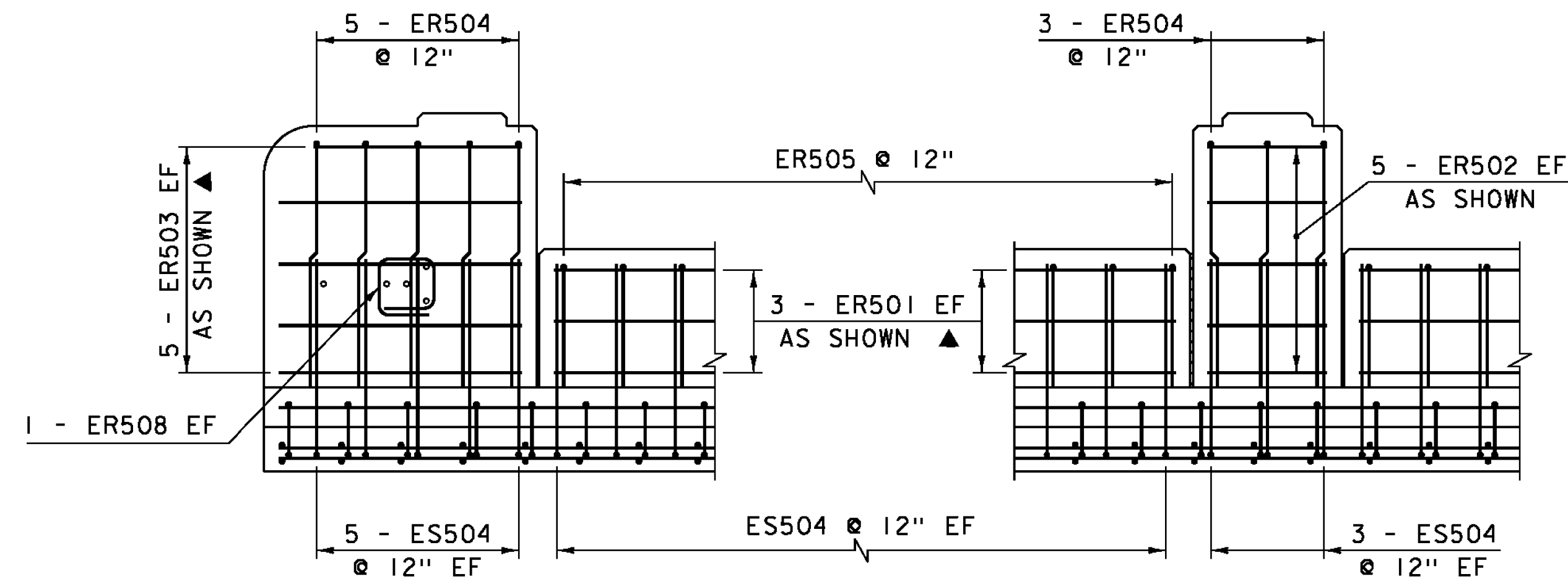
SIDEWALK



CURB

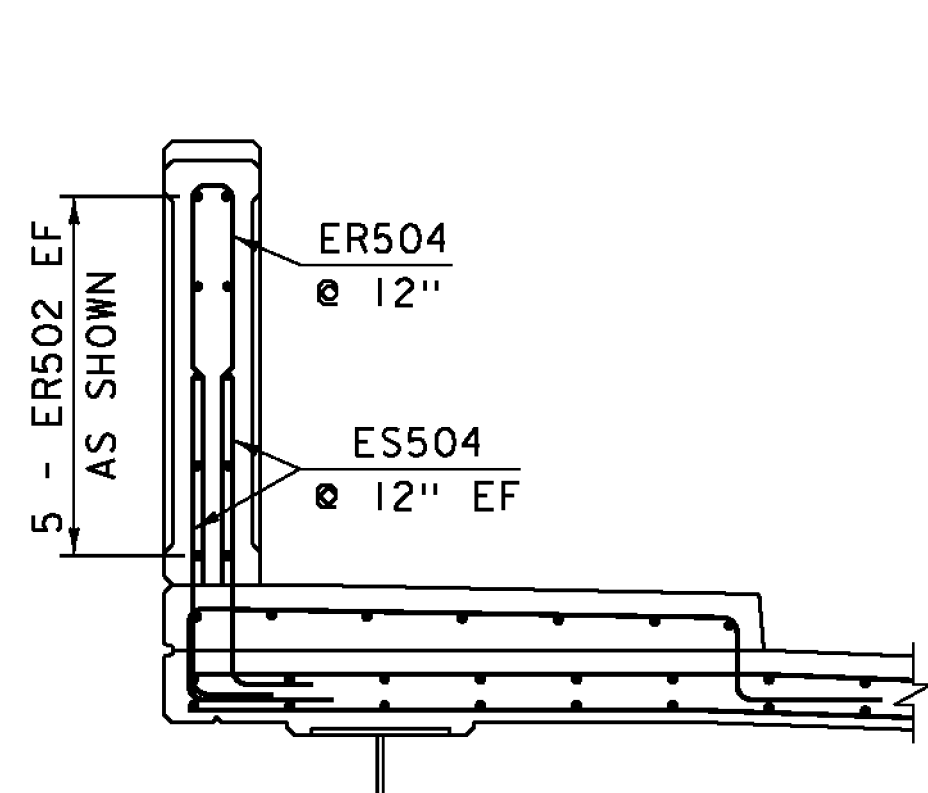
TYPICAL CONCRETE BASE PARAPET SECTIONS

SCALE: 1/2" = 1'-0"

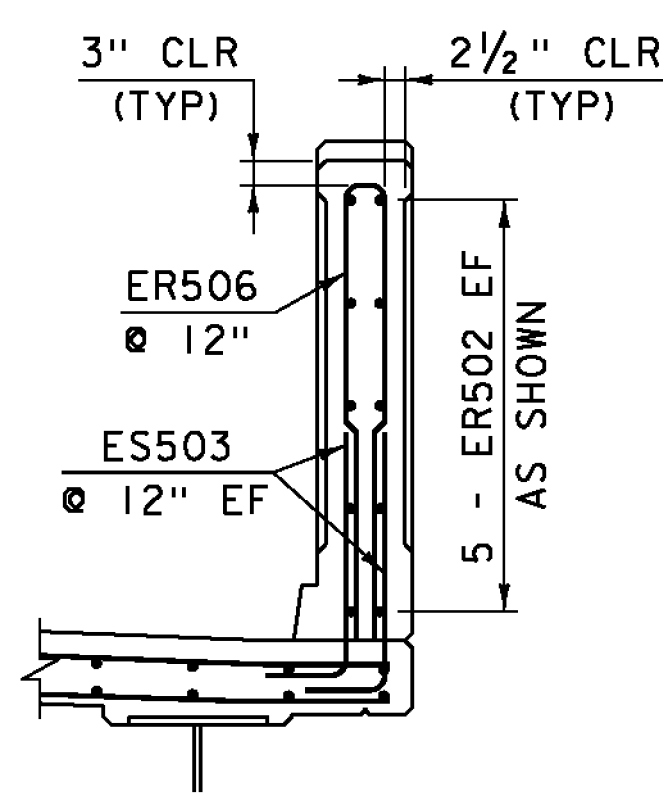


TYPICAL REINFORCING SIDEWALK SIDE

SCALE: 1/2" = 1'-0"



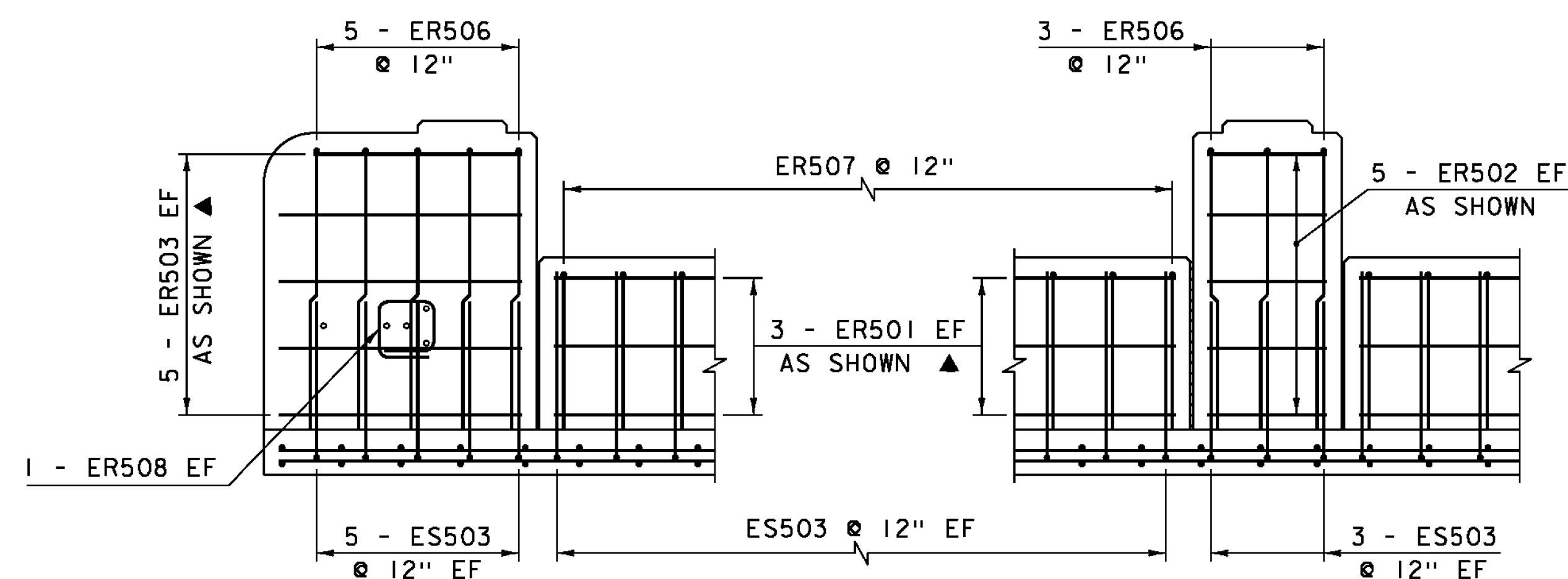
SIDEWALK



CURB

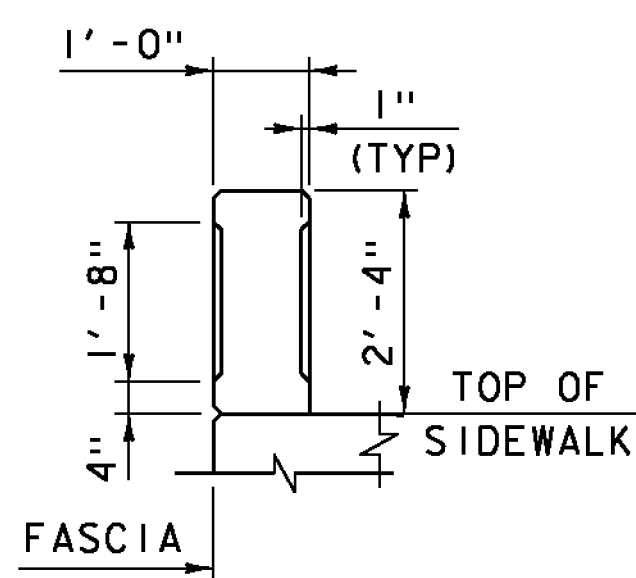
TYPICAL INTERMEDIATE PILASTER SECTIONS

SCALE: 1/2" = 1'-0"
(END PILASTERS ARE SIMILAR)

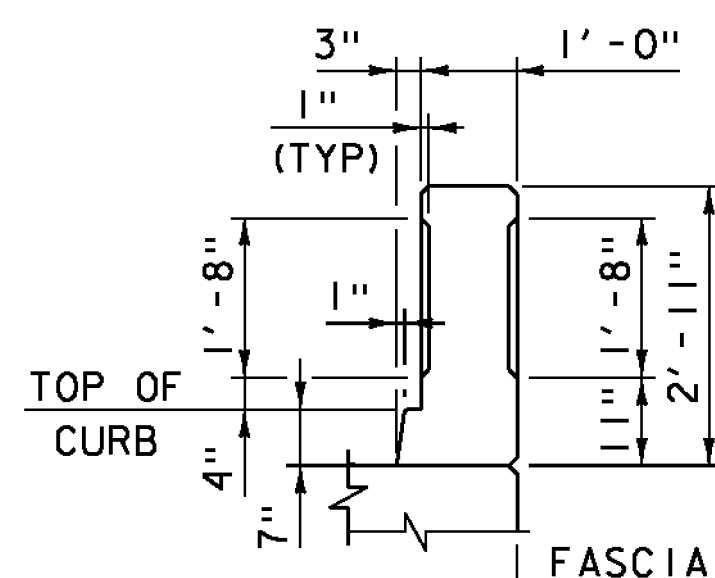


TYPICAL REINFORCING CURB SIDE

SCALE: 1/2" = 1'-0"



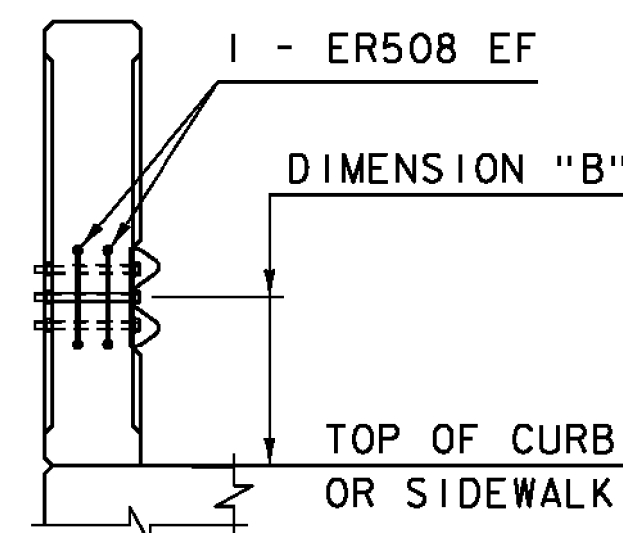
SIDEWALK



CURB

CONCRETE INSERT DETAILS

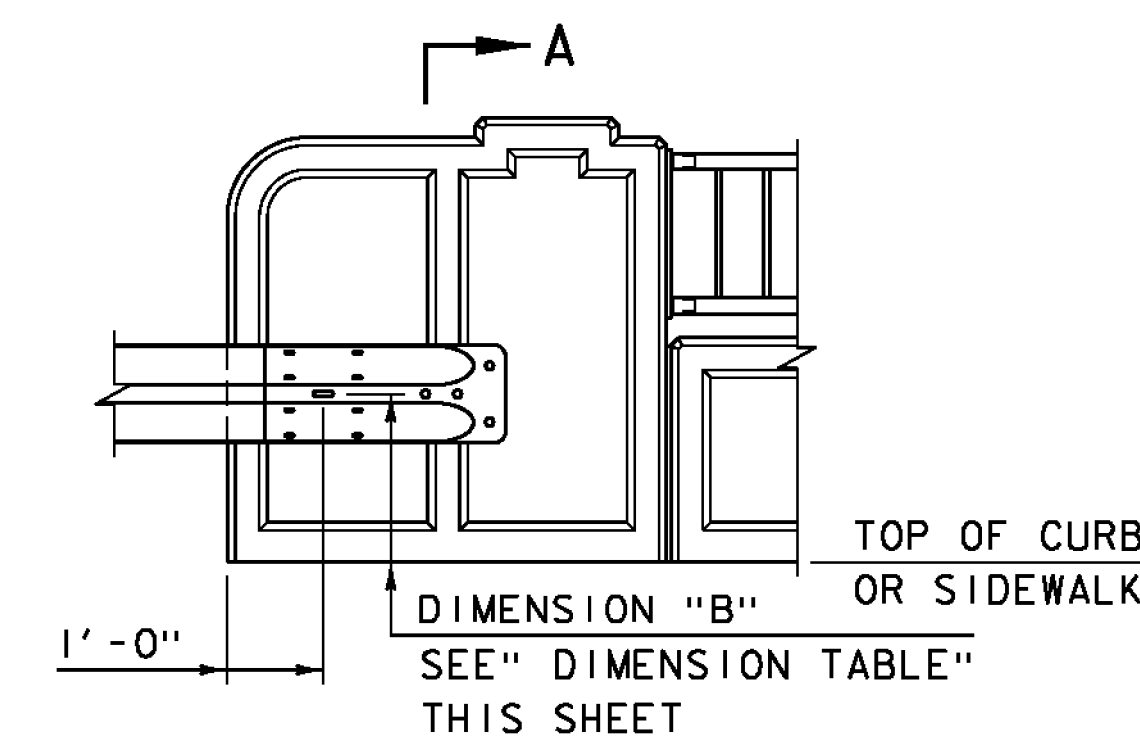
SCALE: 1/2" = 1'-0"



SECTION "A-A"

SCALE: 1/2" = 1'-0"

NOTE: REINFORCING BARS DENOTED AS ES5XX CAST INTO THE SUPERSTRUCTURE HAVE BEEN INCLUDED AND SCHEDULED WITH SUPERSTRUCTURE REINFORCING STEEL.



TERMINAL CONNECTOR LOCATION

SCALE: 1/2" = 1'-0"

NOTE:

- NF = NEAR FACE
- FF = FAR FACE
- EF = EACH FACE
- E = LEVEL 2 REINFORCING STEEL
- ▲ = CUT TO FIT IN FIELD
- 3" CLEAR, UNLESS OTHERWISE SPECIFIED ON THE PLANS.
- 2'-2" BAR LAP UNLESS OTHERWISE SPECIFIED ON THE PLANS.

WINGWALL NO.	DIMENSION "B"
1	1'-9" *
2	1'-9"
3	1'-2" ** 1'-9"
4	1'-9"

DIMENSION TABLE

* DIMENSION TO BE MEASURED FROM TOP OF PAVEMENT AT BEGIN BRIDGE AT THIS LOCATION.

** DIMENSION TO BE MEASURED FROM TOP OF BRIDGE CONCRETE SIDEWALK THIS LOCATION.

PROJECT NAME:	BARRE TOWN
PROJECT NUMBER:	BRF 6100(7)
FILE NAME:	s06j002raildet.dgn
PROJECT LEADER:	J. LACROIX
DESIGNED BY:	G. ROY
CHECKED BY:	J. SALVATORI
BRIDGE RAIL REINFORCING	
PLOT DATE:	27-SEP-2012
DRAWN BY:	G. ROY
CHECKED BY:	J. SALVATORI
SHEET	33 OF 70